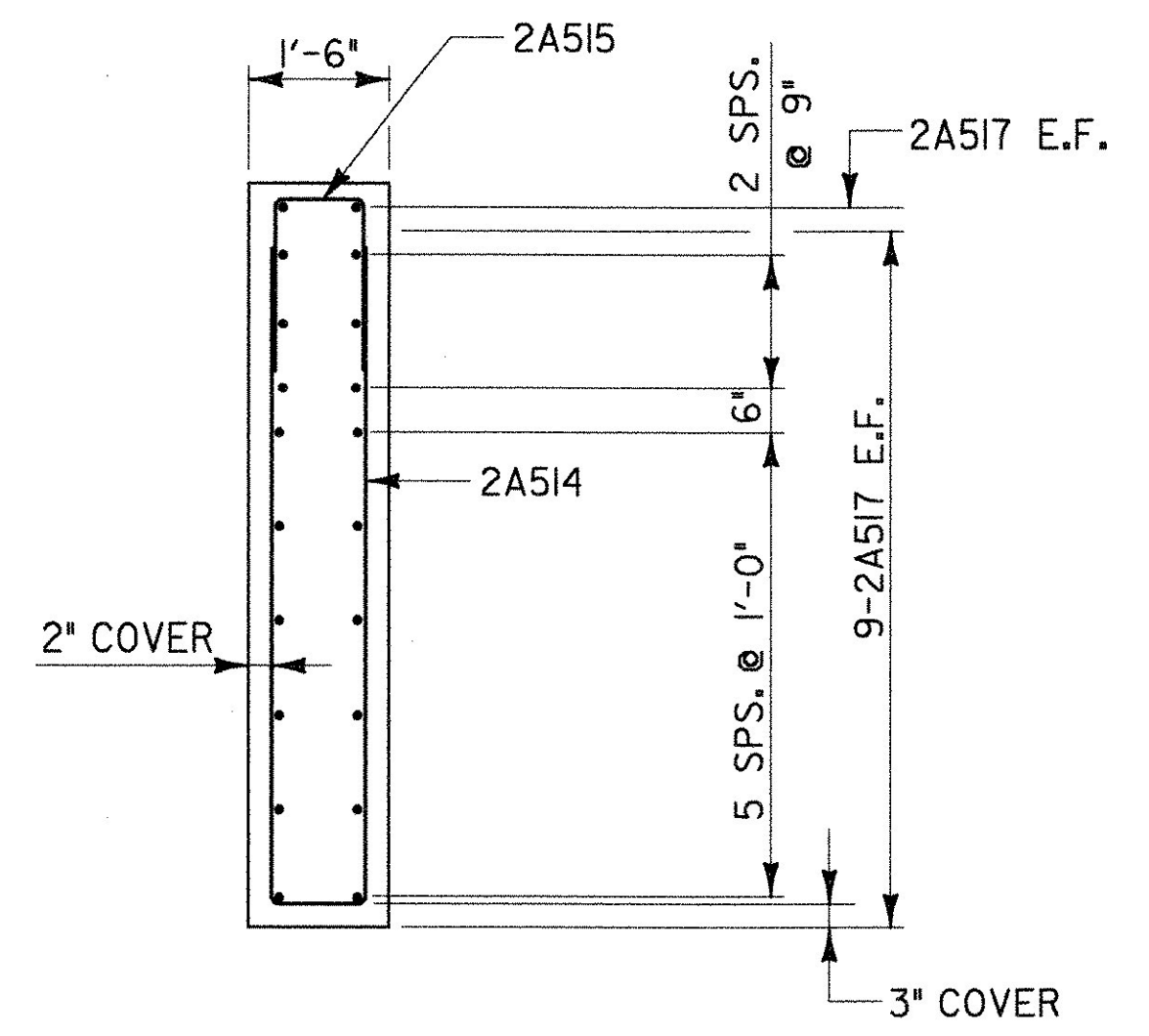
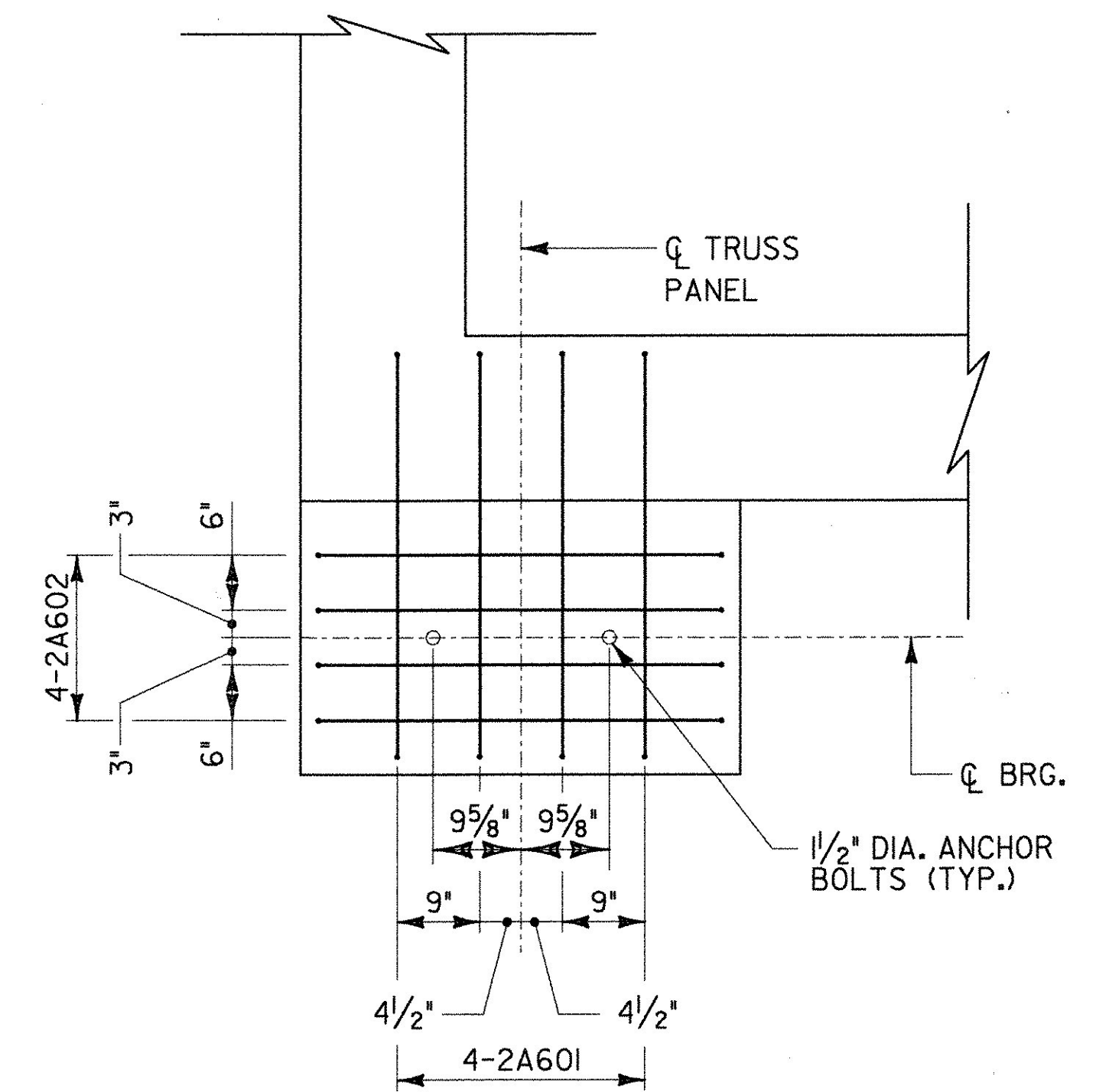


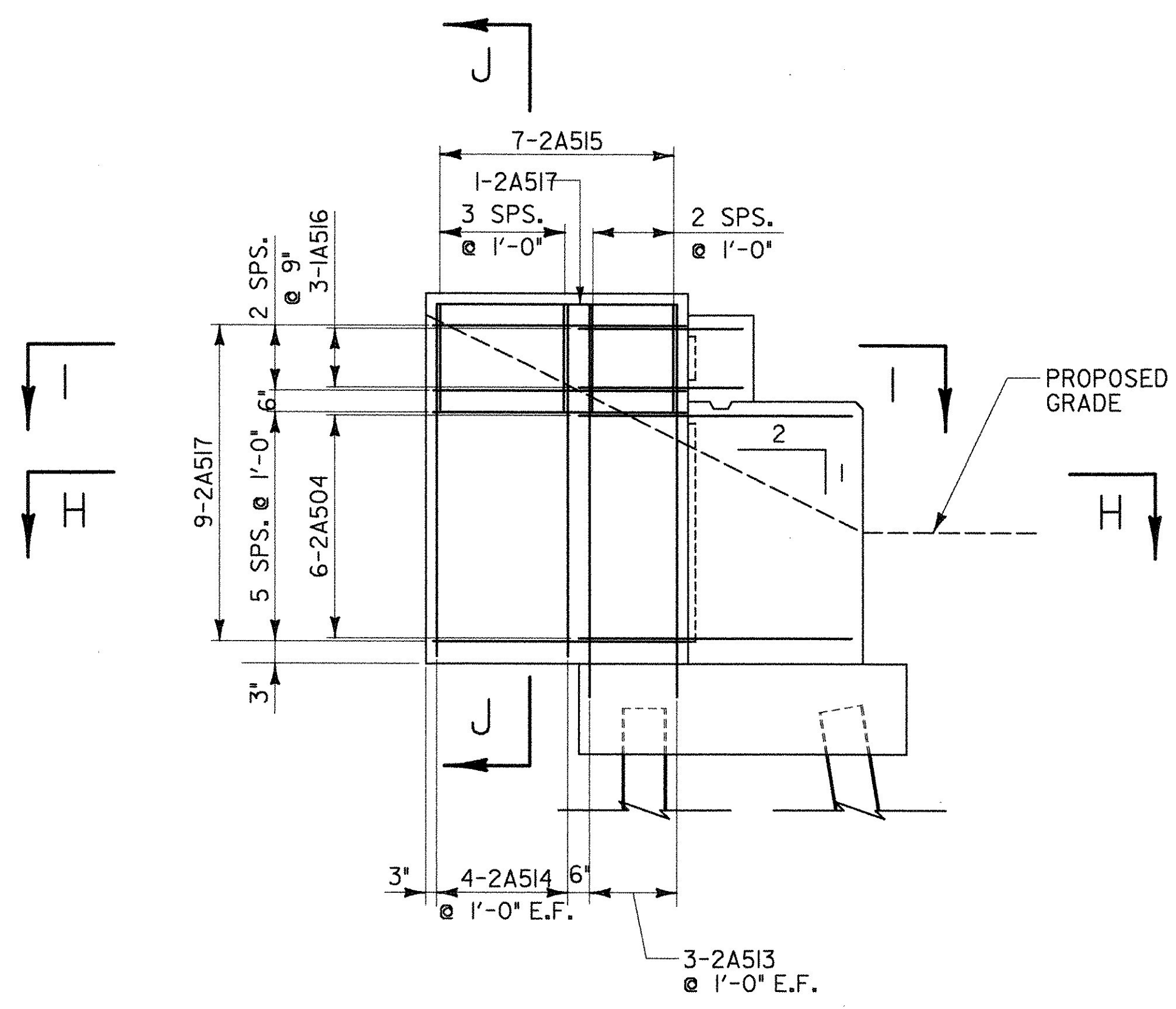
**ELEVATION**  
**ABUTMENT 2 REINFORCEMENT**  
 SCALE 1/2" = 1'-0"



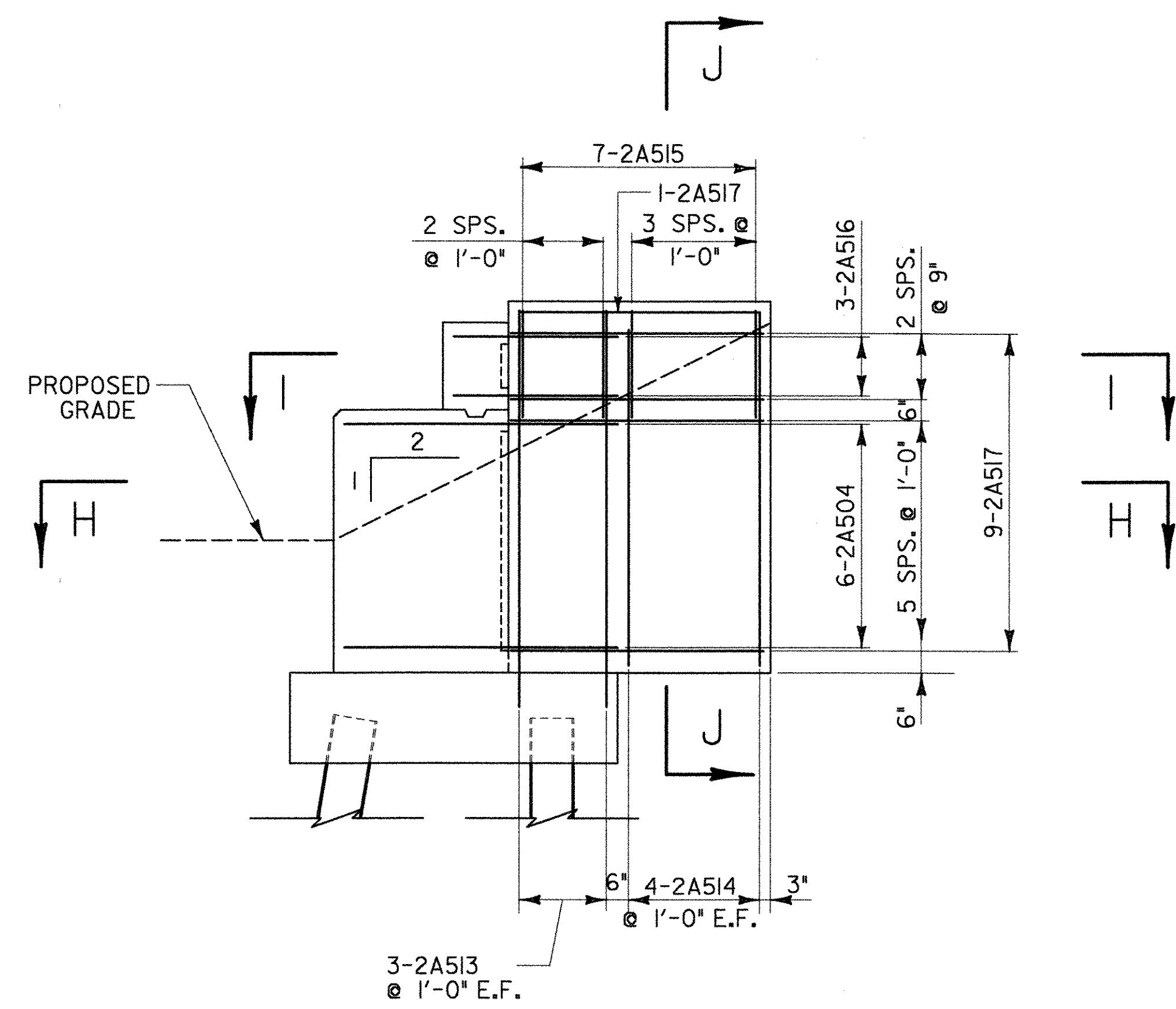
**SECTION J-J**  
**ABUTMENT 1**  
 SCALE 1/2" = 1'-0"



**BRIDGE SEAT REINFORCEMENT**  
**ABUTMENT 2**  
 SCALE 3/4" = 1'-0"



**WINGWALL 3 REINFORCEMENT**  
**ABUTMENT 1**  
 SCALE 3/8" = 1'-0"



**WINGWALL 4 REINFORCEMENT**  
**ABUTMENT 2**  
 SCALE 3/8" = 1'-0"

**LEGEND:**  
 NF = NEAR FACE  
 FF = FAR FACE  
 EF = EACH FACE  
 ▲ = CUT TO FIT IN FIELD  
 3" CLR. UNLESS OTHERWISE SPECIFIED ON THE PLANS.

<b>STATE OF VERMONT AGENCY OF TRANSPORTATION</b>			
Town Of	SWANTON	Bridge No.	18
Highway No.		Log Sta.	
		Surv. Sta.	
RAIL TRAIL OVER MISSISQUOI RIVER			
<b>ABUTMENT 2 - REINFORCEMENT LAYOUT 2</b>			
Designed By	R. SACCHI	Drawn By	R. ROSS
Checked By	Date	Bridge Design Supervisor	Date
H. BUI	1/23/08	R. SACCHI	1/23/08
PROJECT	SWANTON	PROJECT NO.	STP ST MHTB(I)
I.G.C. Info.	ZD024RL2a.dgn		1/30/2008
Bridge Sheet No.	BR3	Sheet	53 of 63