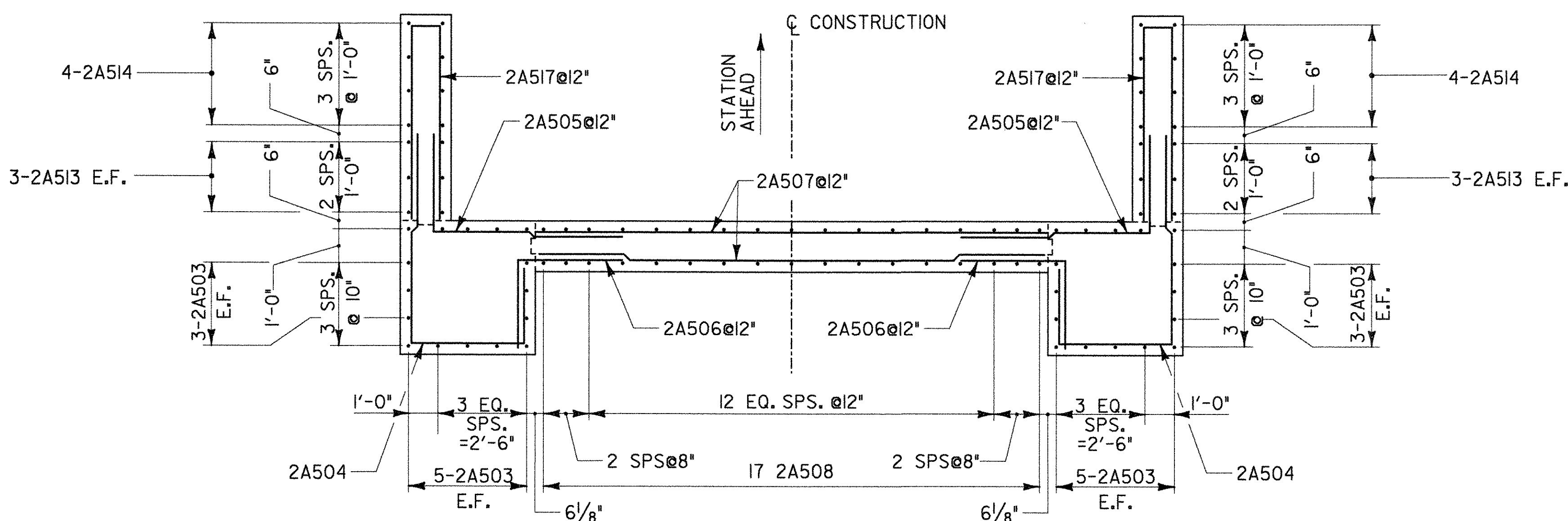


FOOTING REINFORCEMENT LAYOUT

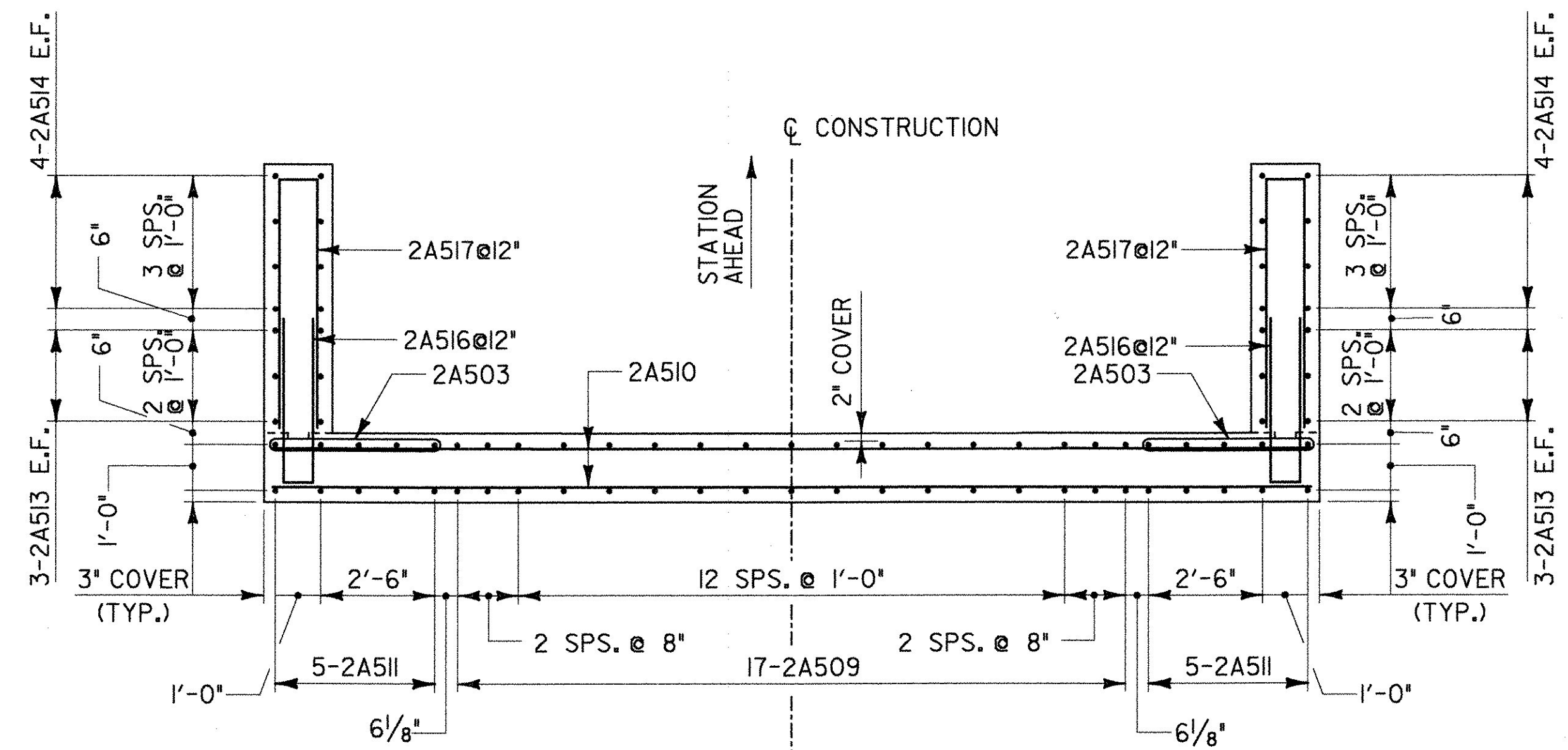
ABUTMENT 2
SCALE 3/8" = 1'-0"



SECTION H-H

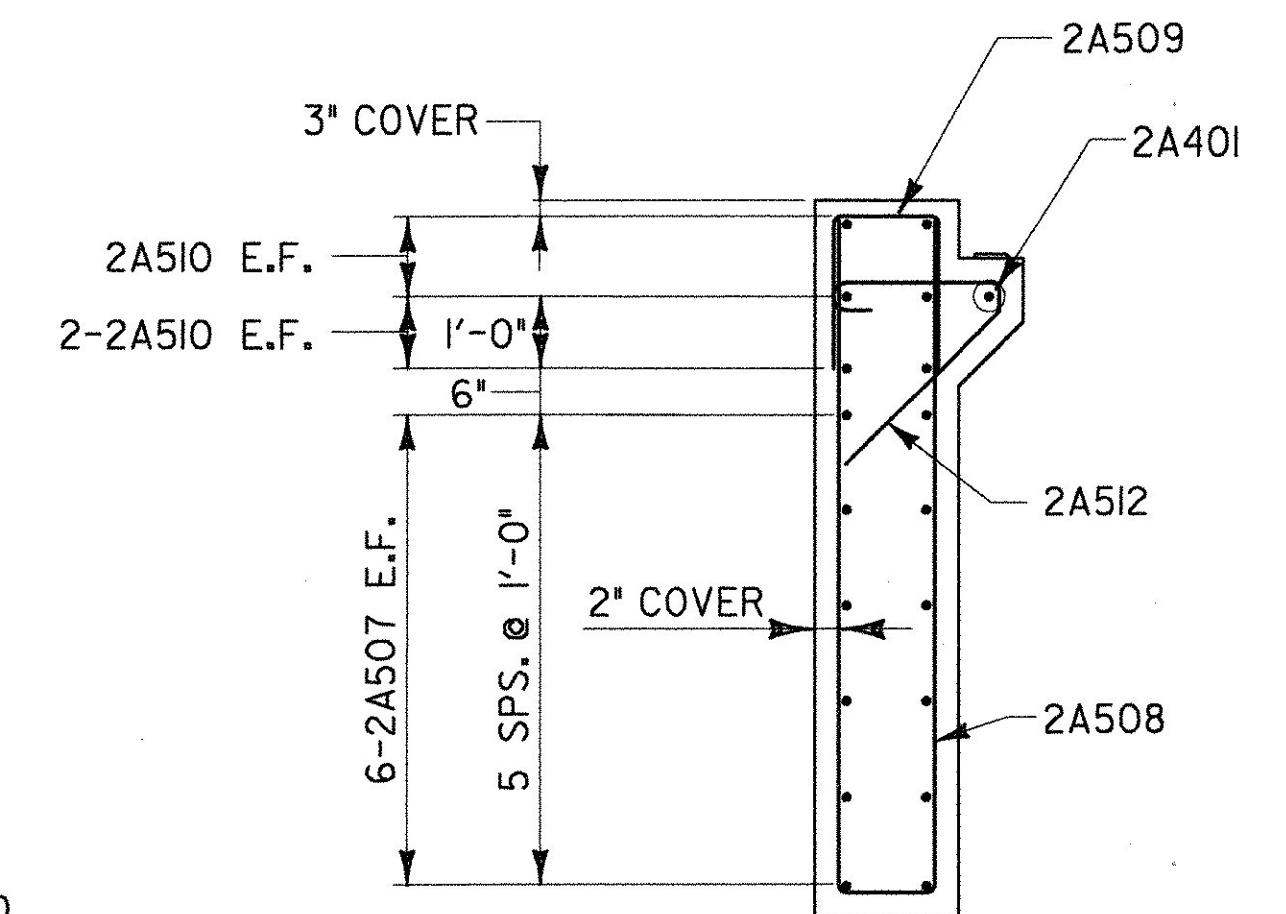
ABUTMENT 2
SCALE 3/8" = 1'-0"

NOTE:
1. SEE SHEET 53 FOR BRIDGE SEAT REINFORCEMENT DETAIL



SECTION I-I

ABUTMENT 2
SCALE 3/8" = 1'-0"

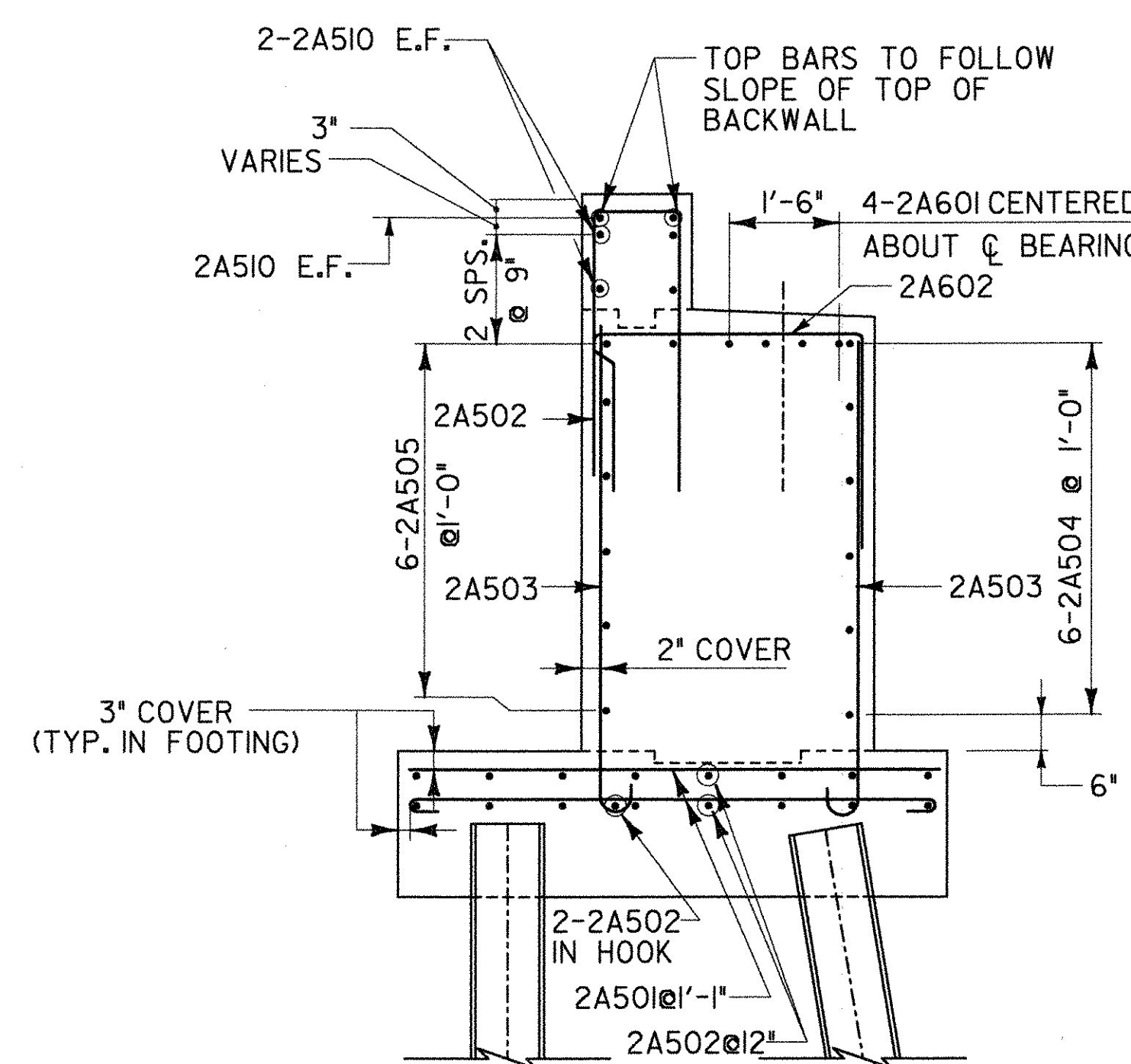


SECTION G-G

ABUTMENT 2
SCALE 1/2" = 1'-0"

LEGEND:

- NF = NEAR FACE
- FF = FAR FACE
- EF = EACH FACE
- ▲ = CUT TO FIT IN FIELD
- 3" CLR. UNLESS OTHERWISE SPECIFIED ON THE PLANS.



SECTION F-F

ABUTMENT 2
SCALE 1/2" = 1'-0"

**STATE OF VERMONT
AGENCY OF TRANSPORTATION**

Town Of	SWANTON	Bridge No.	18
Highway No.		Log Sta.	
RAIL TRAIL OVER MISSISQUOI RIVER			
ABUTMENT 2 - REINFORCEMENT LAYOUT 1			
Designed By	R. SACCHI	Drawn By	R. ROSS
Checked By	H. BUI	Date	1/23/08
		Bridge Design Supervisor	R. SACCHI
PROJECT	SWANTON	PROJECT NO.	STP ST MHTB(I)