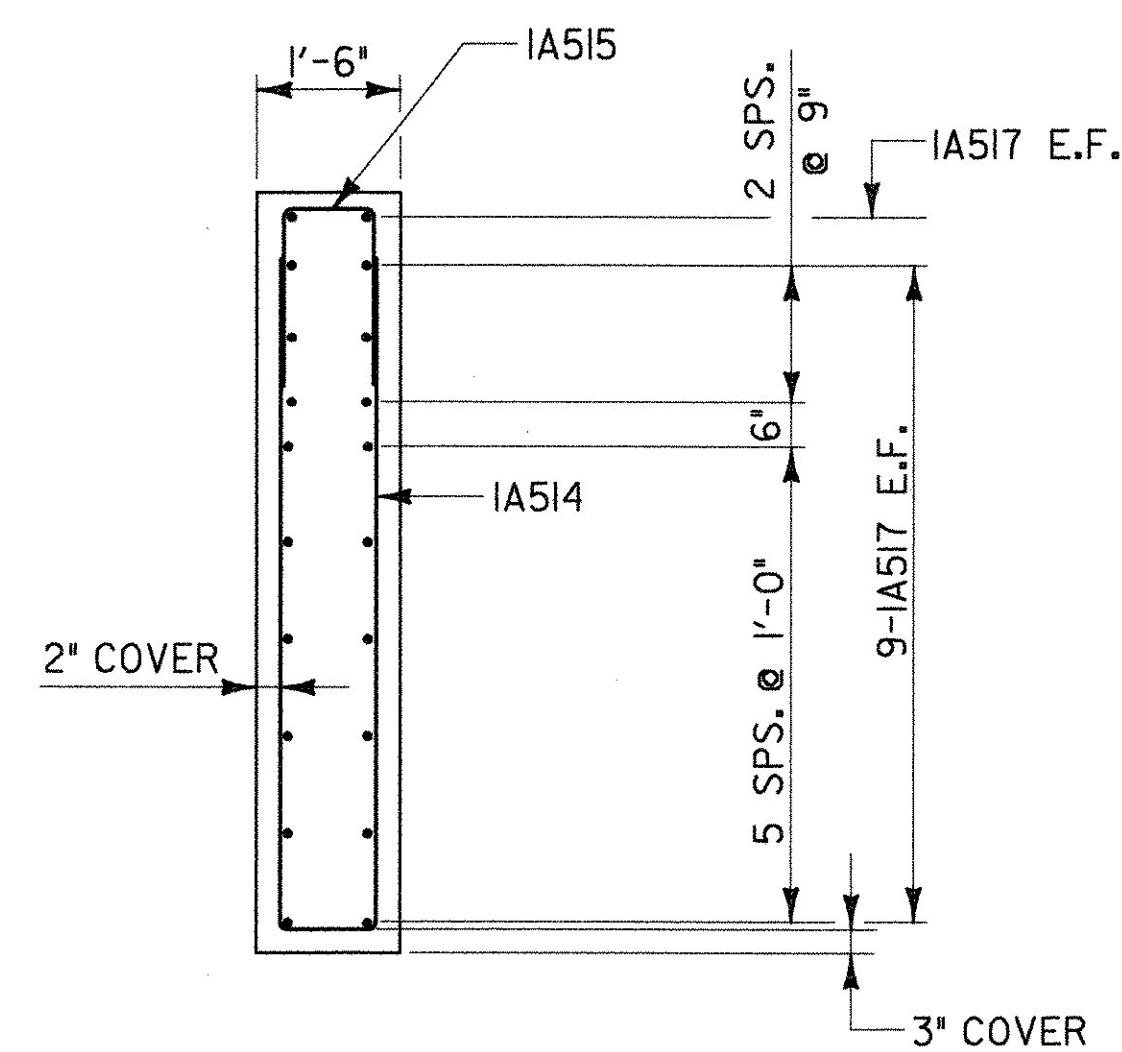
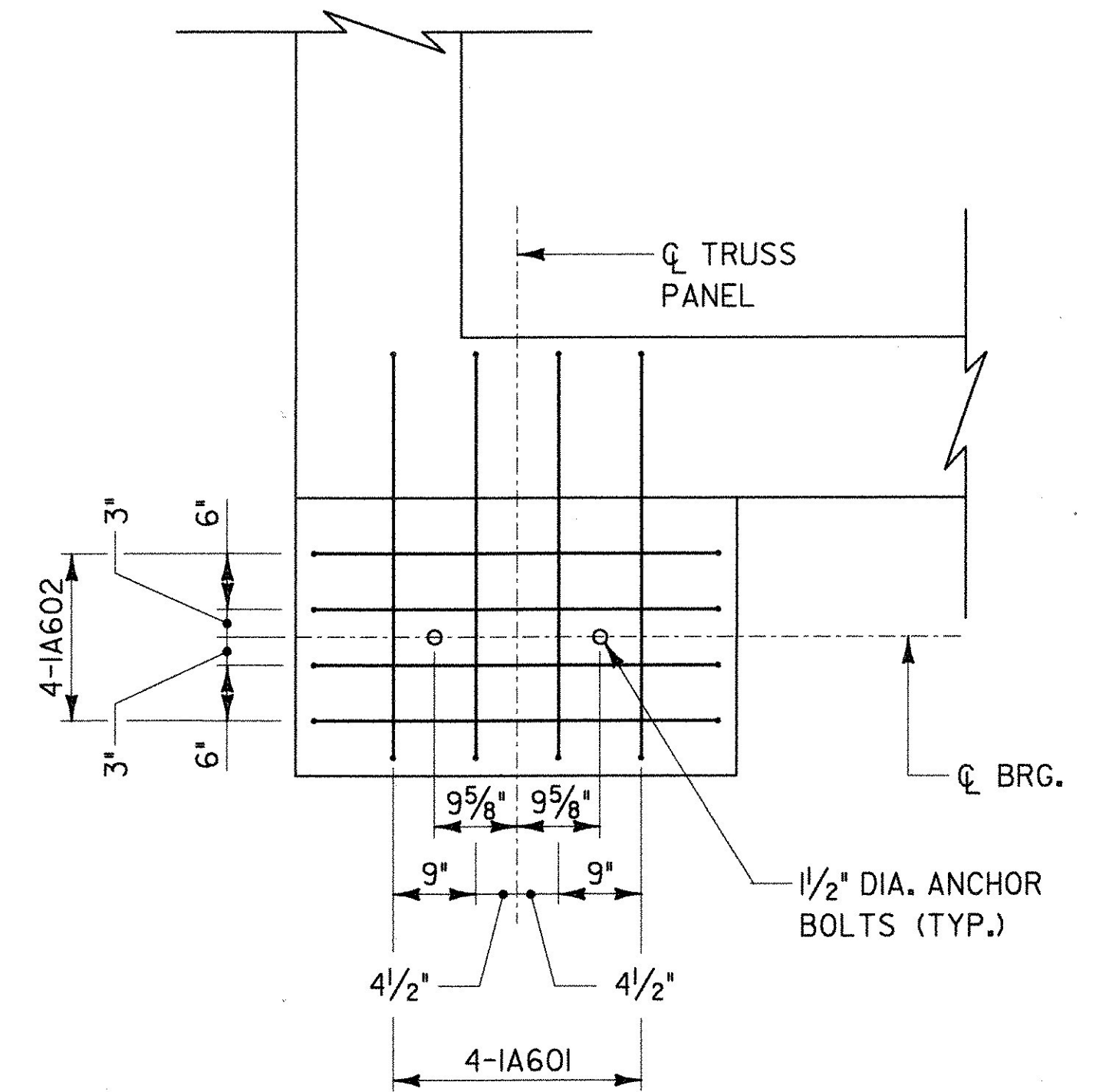


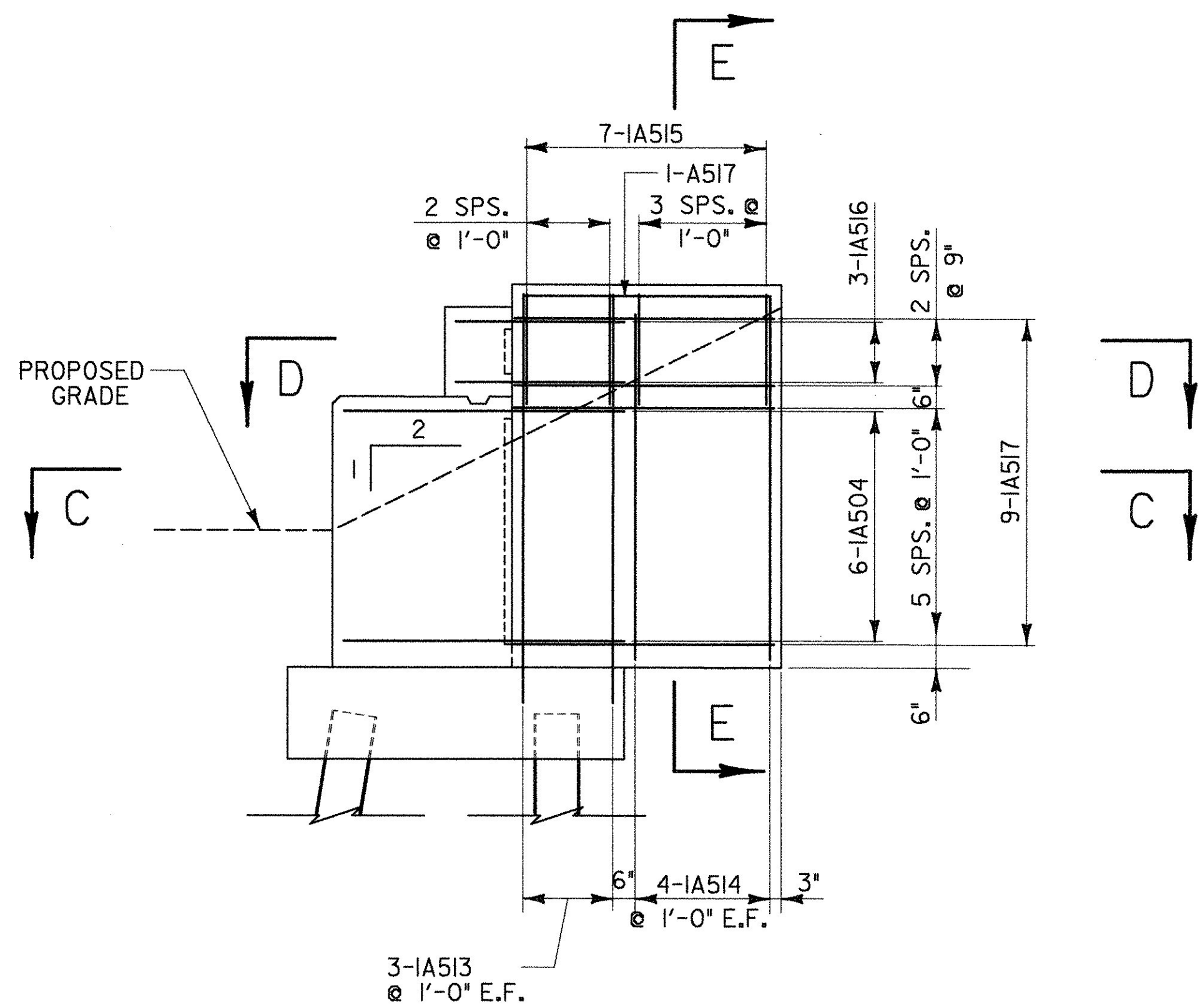
ELEVATION
ABUTMENT 1 REINFORCEMENT
 SCALE 1/2" = 1'-0"



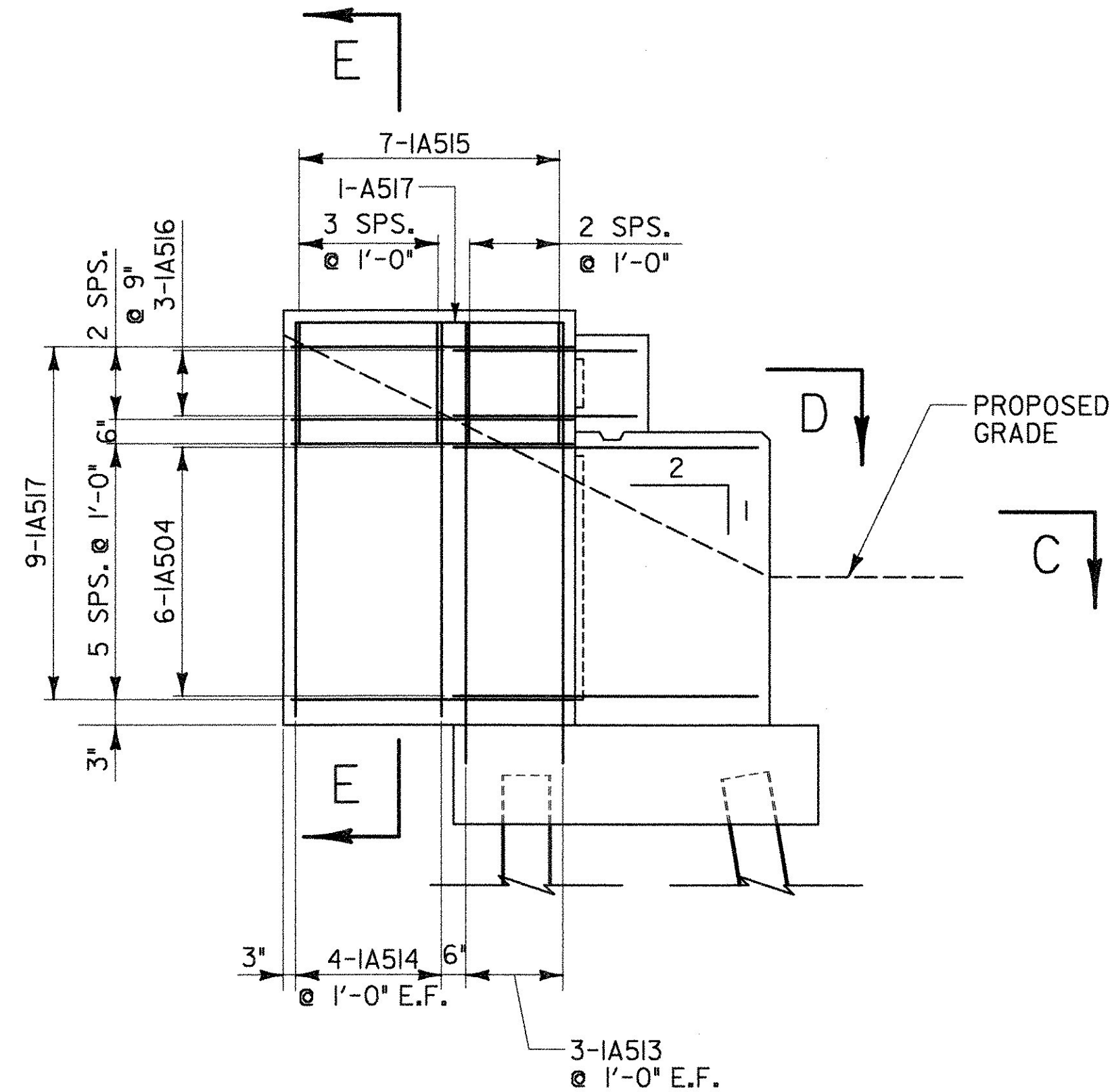
SECTION E-E
ABUTMENT 1
 SCALE 1/2" = 1'-0"



BRIDGE SEAT REINFORCEMENT
ABUTMENT 1
 SCALE 3/4" = 1'-0"



WINGWALL 1 REINFORCEMENT
ABUTMENT 1
 SCALE 3/8" = 1'-0"



WINGWALL 2 REINFORCEMENT
ABUTMENT 1
 SCALE 3/8" = 1'-0"

LEGEND:
 NF = NEAR FACE
 FF = FAR FACE
 EF = EACH FACE
 ▲ = CUT TO FIT IN FIELD
 3" CLR. UNLESS OTHERWISE SPECIFIED ON THE PLANS.

STATE OF VERMONT AGENCY OF TRANSPORTATION			
Town Of	SWANTON	Bridge No.	18
Highway No.		Log Sta.	
		Surv. Sta.	
RAIL TRAIL OVER MISSISQUOI RIVER			
ABUTMENT 1 - REINFORCEMENT LAYOUT 2			
Designed By	R. SACCHI	Drawn By	R. ROSS
Checked By	H. BUI	Date	1/23/08
		Bridge Design Supervisor	R. SACCHI
		Date	1/23/08
PROJECT	SWANTON	PROJECT NO.	STP ST MHTB(1)
I.G.C. Info.	ZD024RL2.dgn		1/30/2008
Bridge Sheet No.	BR3	Sheet	50 of 63