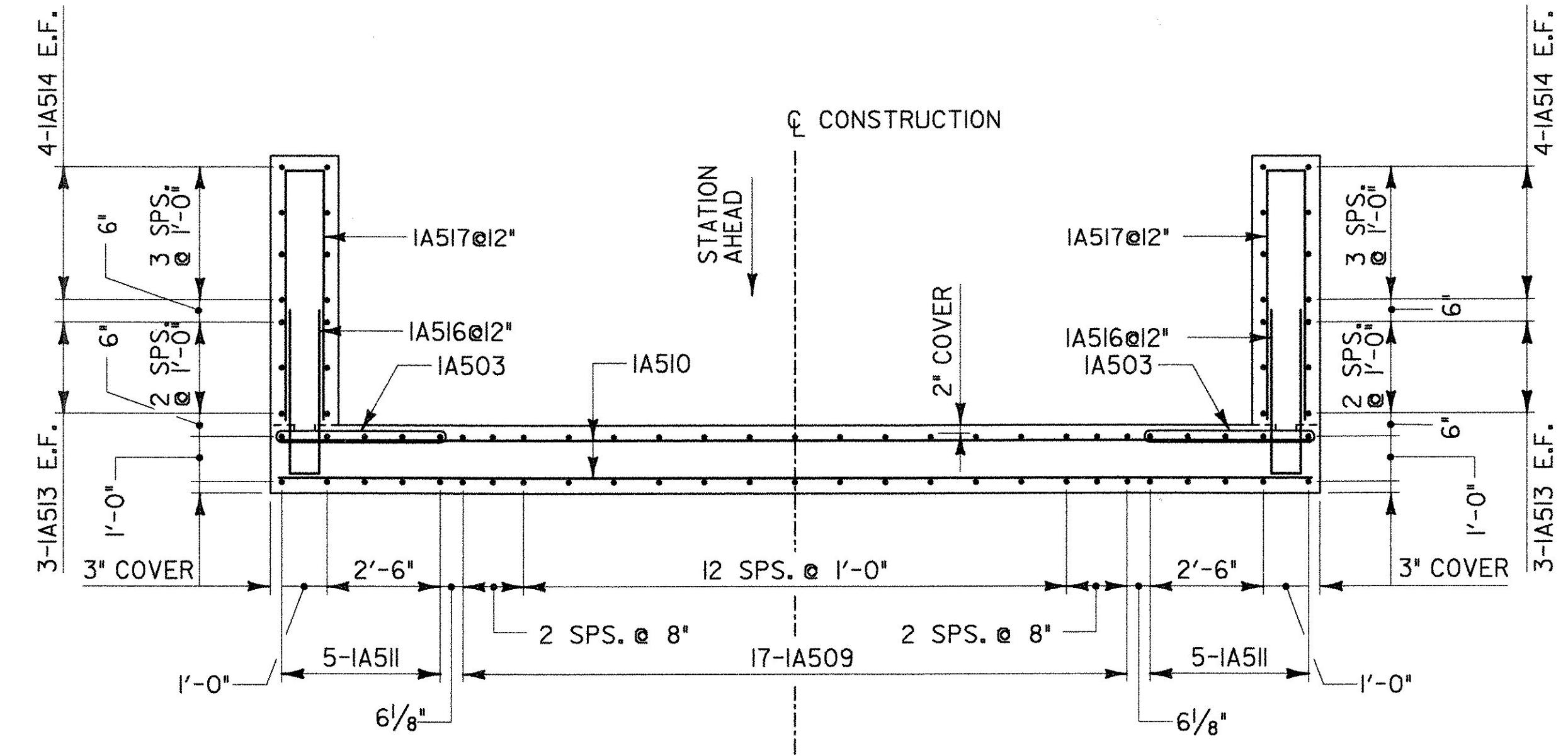
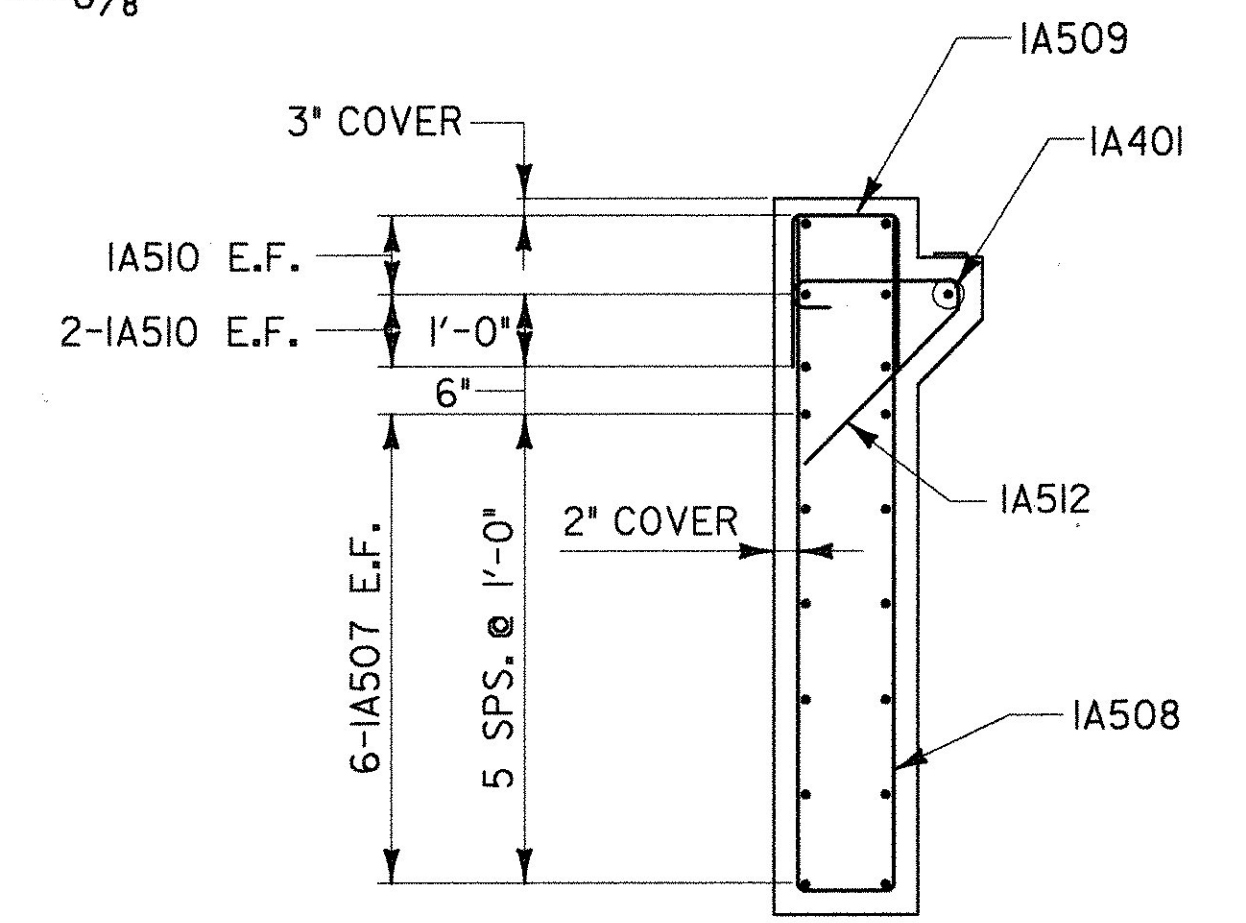


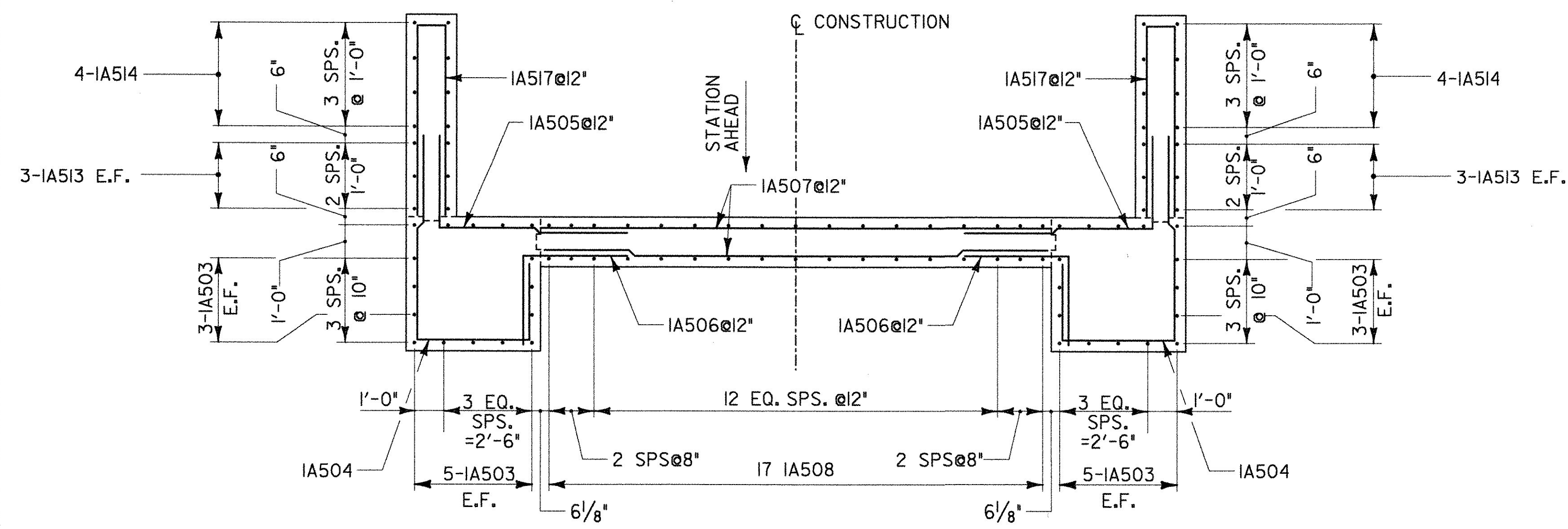
FOOTING REINFORCEMENT LAYOUT
 ABUTMENT I
 SCALE 3/8" = 1'-0"



SECTION D-D
 ABUTMENT I
 SCALE 3/8" = 1'-0"

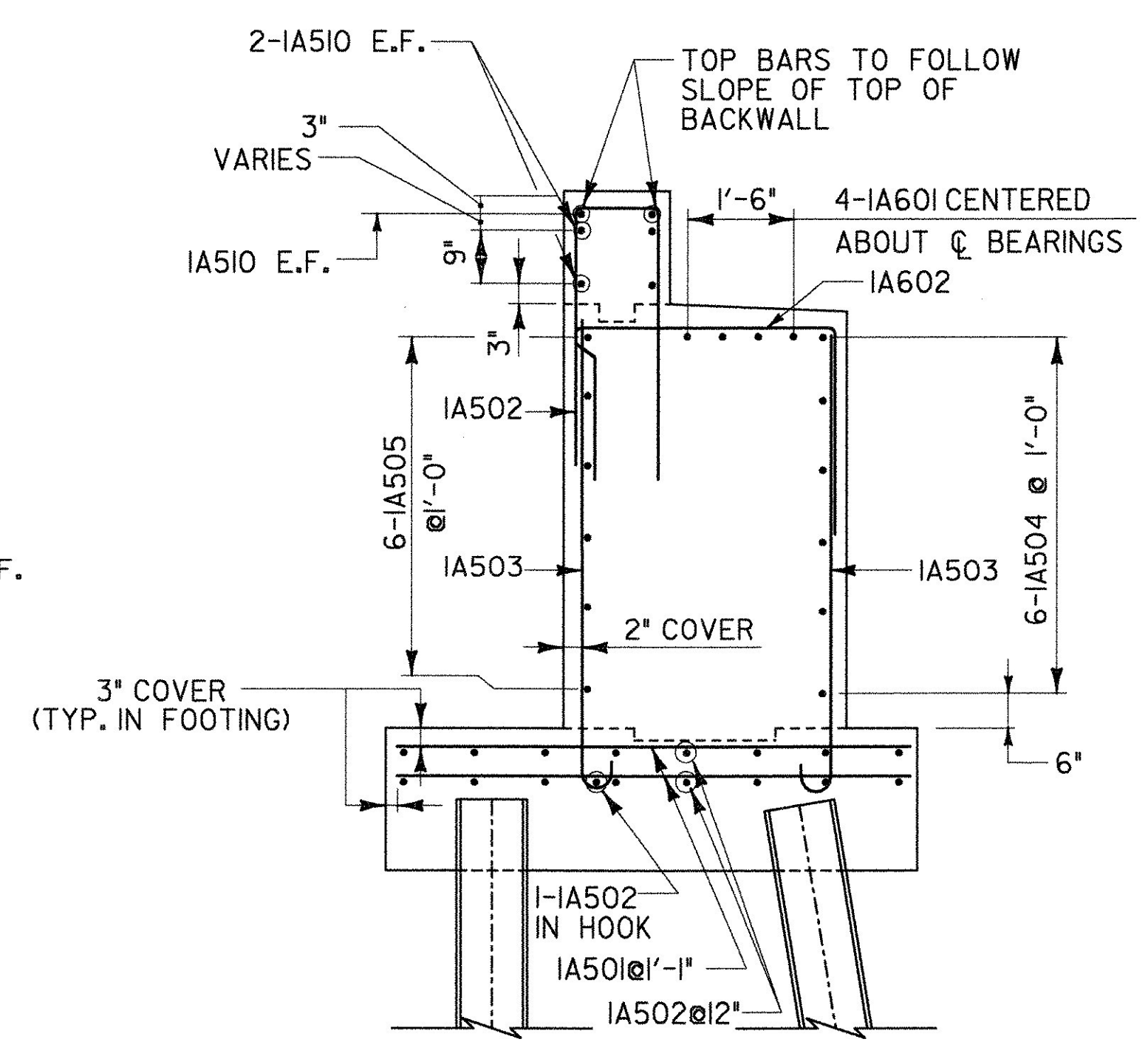


SECTION B-B
 ABUTMENT I
 SCALE 1/2" = 1'-0"



SECTION C-C
 ABUTMENT I
 SCALE 3/8" = 1'-0"

NOTE:
 1. SEE SHEET 50 FOR BRIDGE SEAT REINFORCEMENT DETAIL



SECTION A-A
 ABUTMENT I
 SCALE 1/2" = 1'-0"

LEGEND:
 NF = NEAR FACE
 FF = FAR FACE
 EF = EACH FACE
 ▲ = CUT TO FIT IN FIELD
 3" CLR. UNLESS OTHERWISE SPECIFIED ON THE PLANS.

STATE OF VERMONT AGENCY OF TRANSPORTATION			
Town Of	SWANTON	Bridge No. 18	
Highway No.		Log Sta. _____ Surv. Sta. _____	
RAIL TRAIL OVER MISSISQUOI RIVER			
ABUTMENT 1 - REINFORCEMENT LAYOUT 1			
Designed By	R. SACCHI	Drawn By	R. ROSS
Checked By	H. BUI	Date	1/23/08
		Bridge Design Supervisor	R. SACCHI
		Date	1/23/08
PROJECT	SWANTON	PROJECT NO.	STP ST MHTB(I)
I.G.C. Info.	ZD024RL.dgn		1/30/2008
Bridge Sheet No.	BR3	Sheet	49 of 63