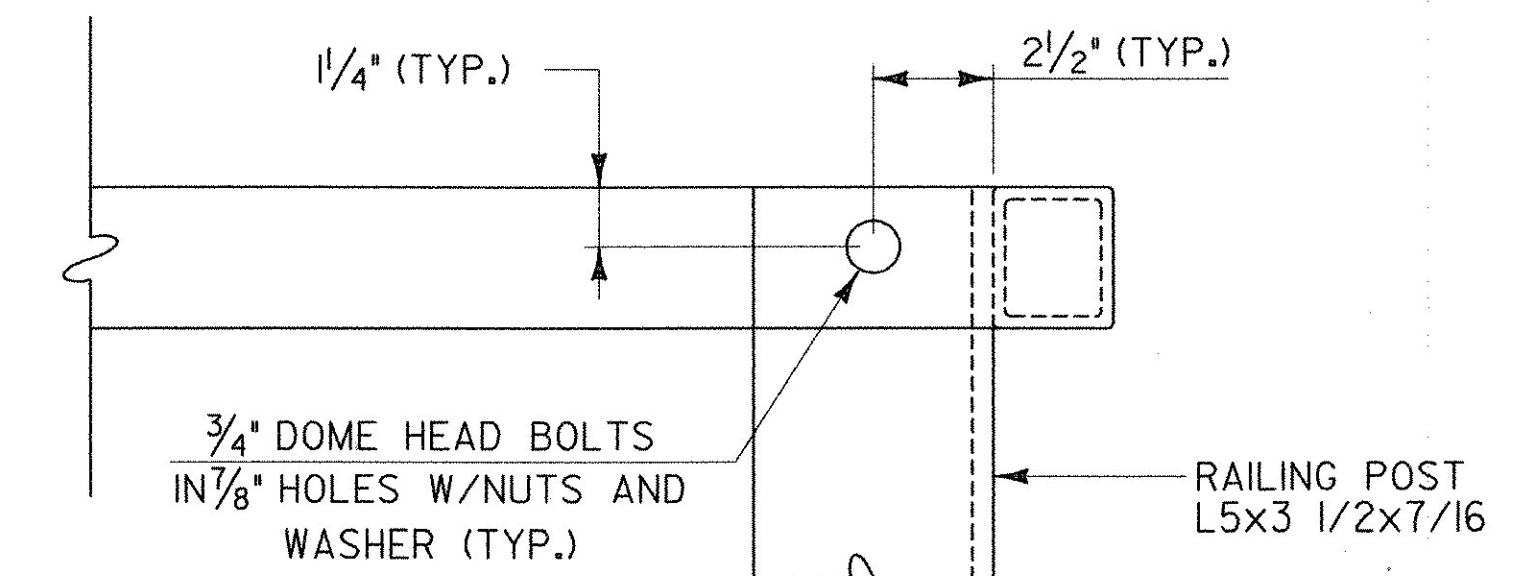
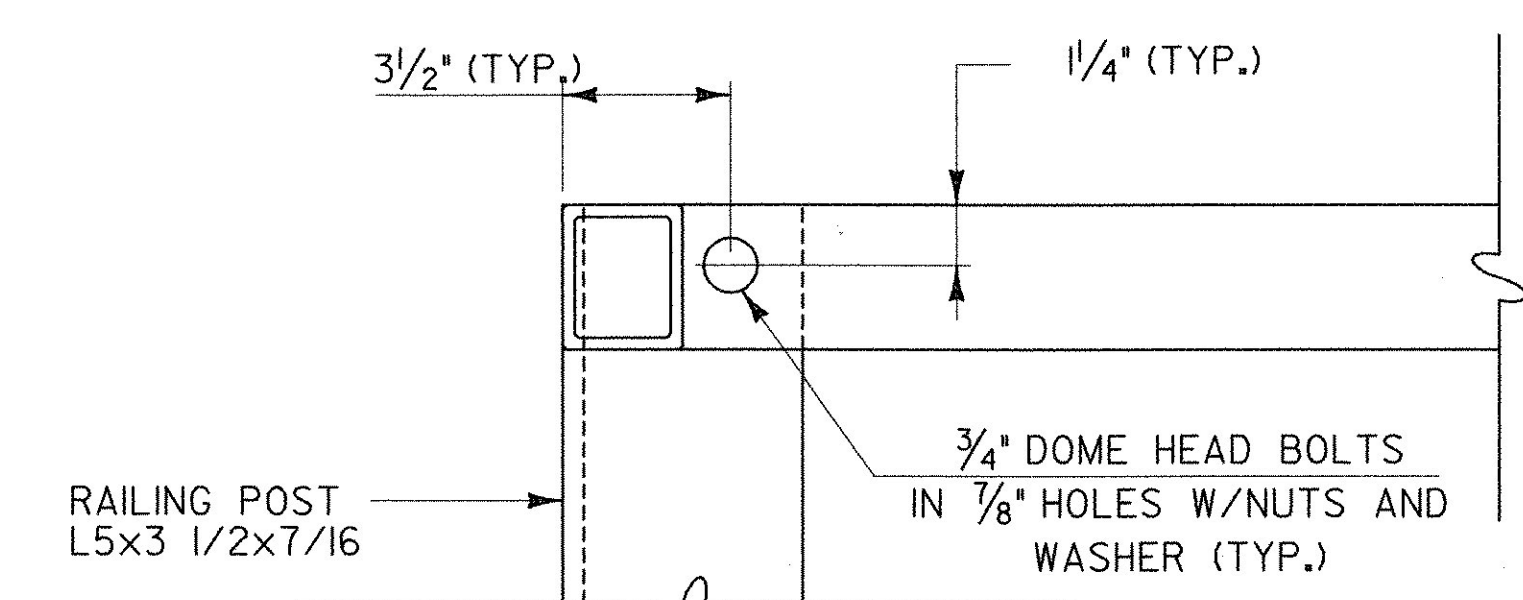


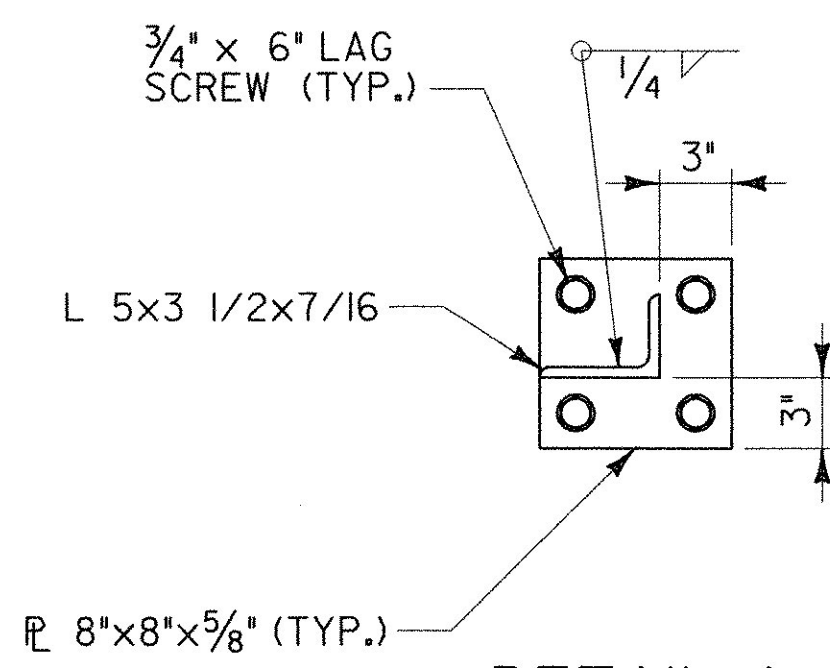
**RAIL POST LAYOUT AT OBSERVATION BULB-OUT**  
SCALE: 1" = 1'-0"



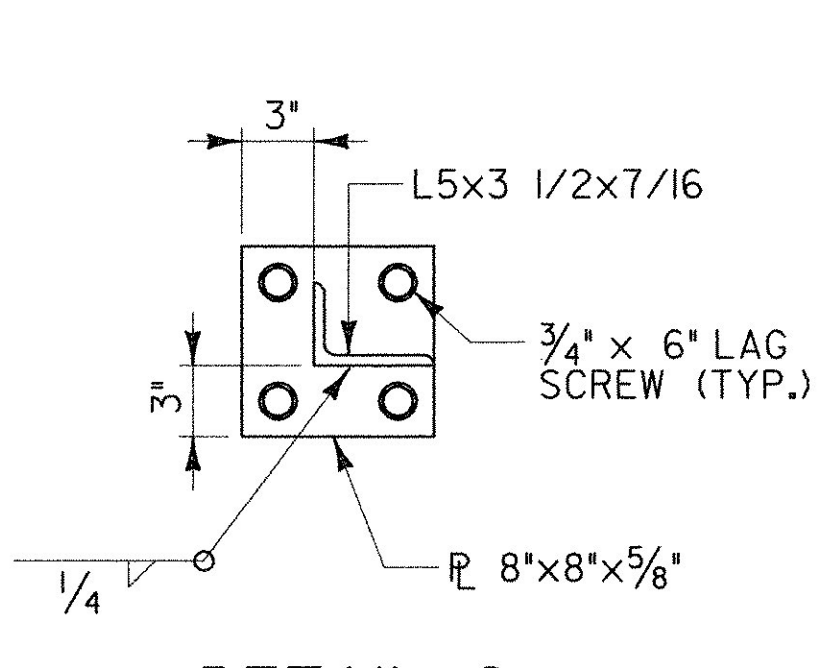
**VIEW A-A  
VIEW B-B (MIRROR IMAGE)  
BOLTING DETAIL**  
SCALE: 3" = 1'-0"



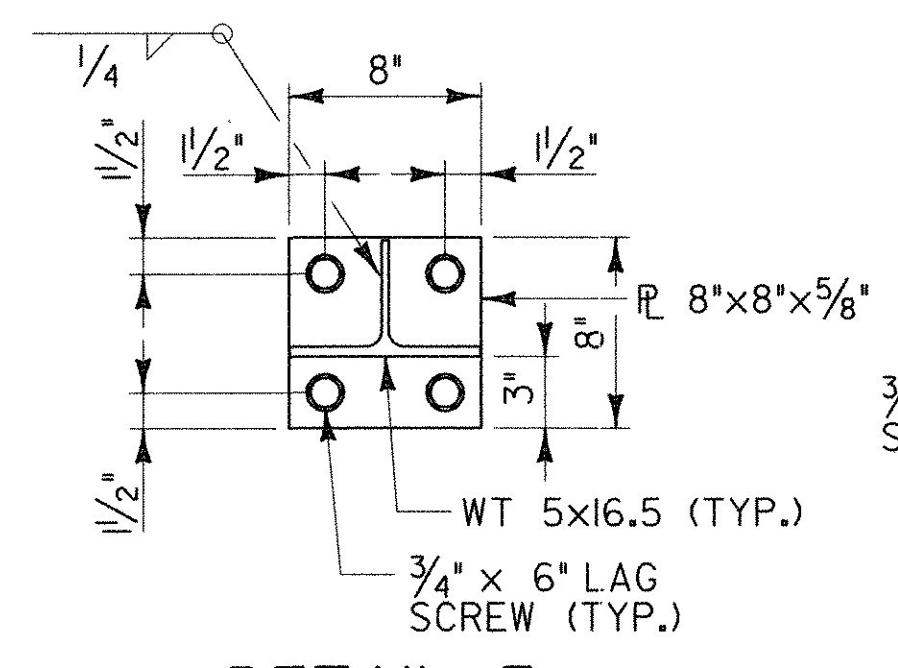
**VIEW C-C  
VIEW D-D (MIRROR IMAGE)  
BOLTING DETAIL**  
SCALE: 3" = 1'-0"



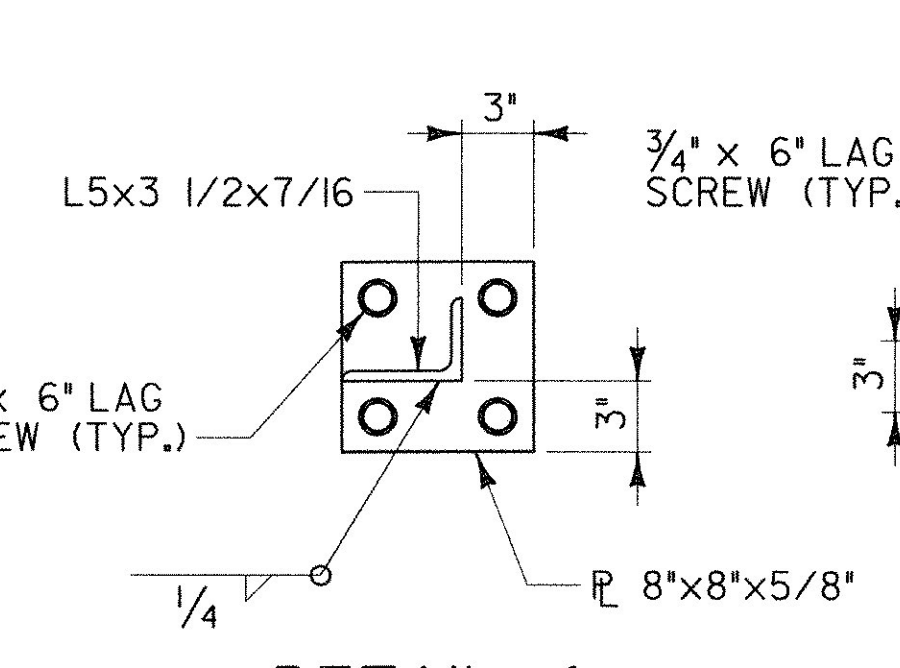
**DETAIL 1**



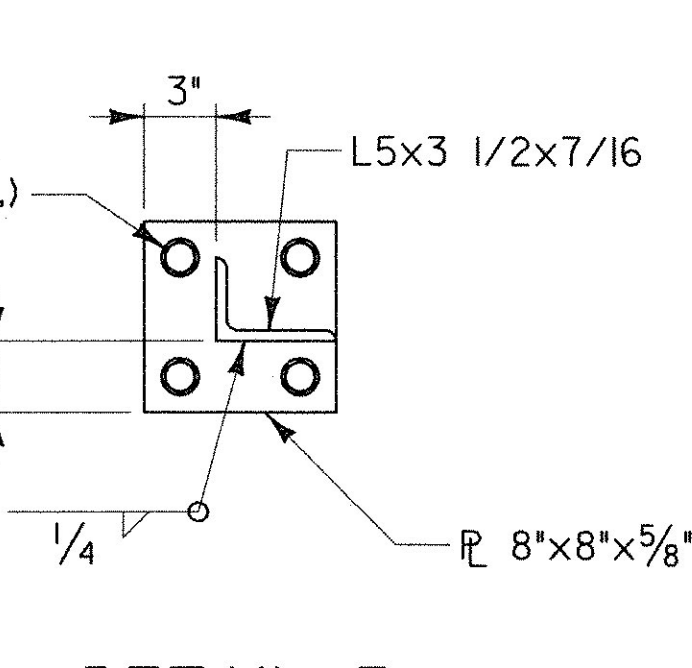
**DETAIL 2**



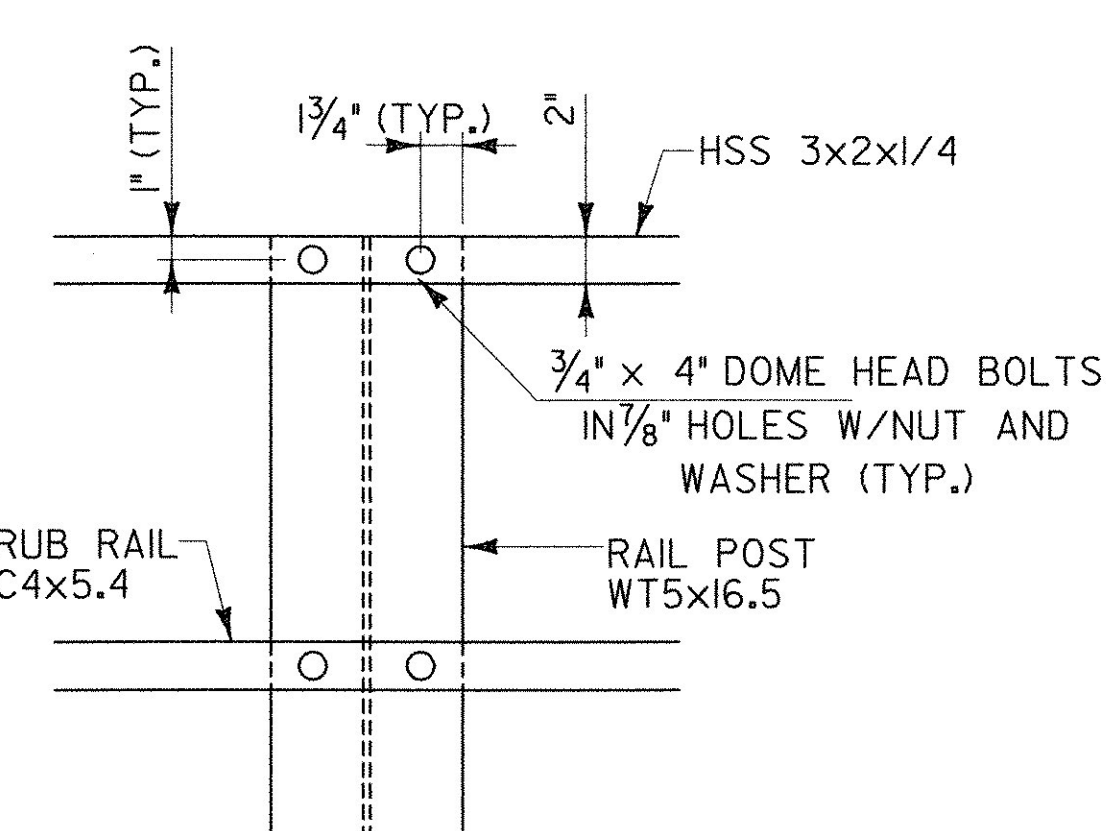
**DETAIL 3**



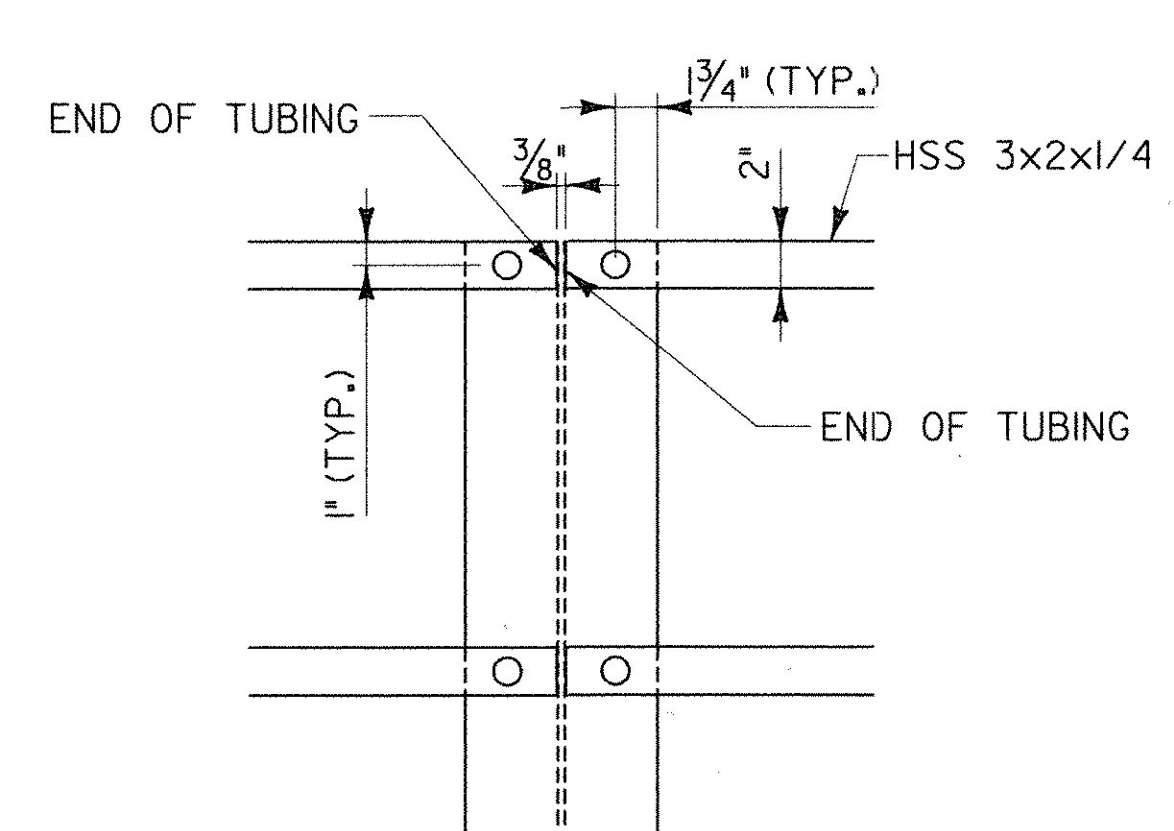
**DETAIL 4**



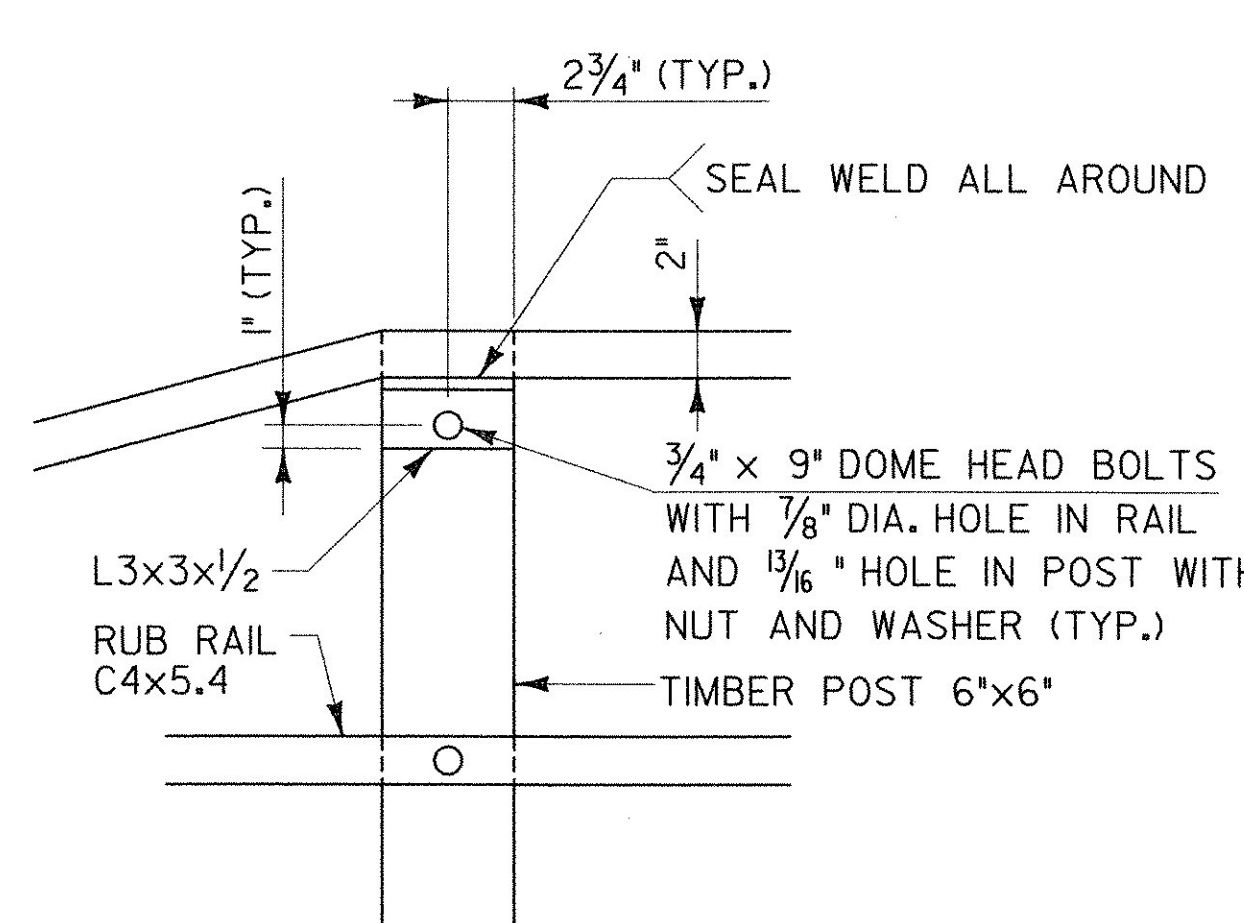
**DETAIL 5**



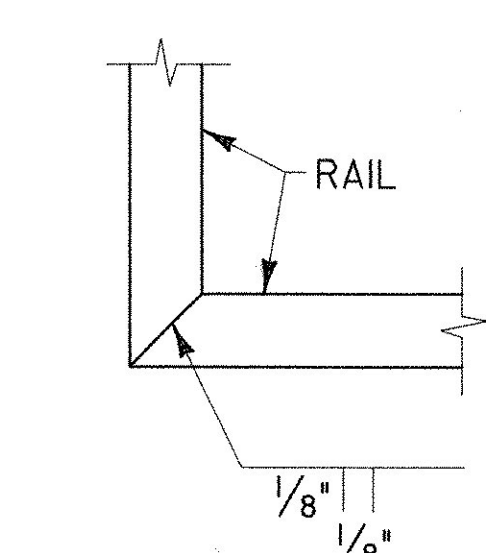
**STEEL POST BOLTING ASSEMBLY  
INTERMEDIATE POST ELEVATION**  
SCALE: 1/2" = 1'-0"



**STEEL POST BOLTING ASSEMBLY  
END OF PANEL ELEVATION**  
SCALE: 1/2" = 1'-0"



**TIMBER POST BOLTING ASSEMBLY  
ELEVATION**  
SCALE: 1/2" = 1'-0"



**TYPICAL RAIL CORNER DETAIL**  
SCALE: 1/2" = 1'-0"

<b>STATE OF VERMONT AGENCY OF TRANSPORTATION</b>			
Town Of	SWANTON	Bridge No.	18
Highway No.		Log Sta.	
		Surv. Sta.	
<b>RAIL TRAIL OVER MISSISQUOI RIVER</b>			
<b>PEDESTRIAN BRIDGE RAIL DETAILS 2</b>			
Designed By	R. SACCHI	Drawn By	R. ROSS
Checked By	H. BUI	Bridge Design Supervisor	R. SACCHI
Date	1/23/08	Date	1/23/08
PROJECT	SWANTON	PROJECT NO.	STP ST MHTB(I)
I.G.C. Info.	ZD024RD2.dgn		1/31/2008