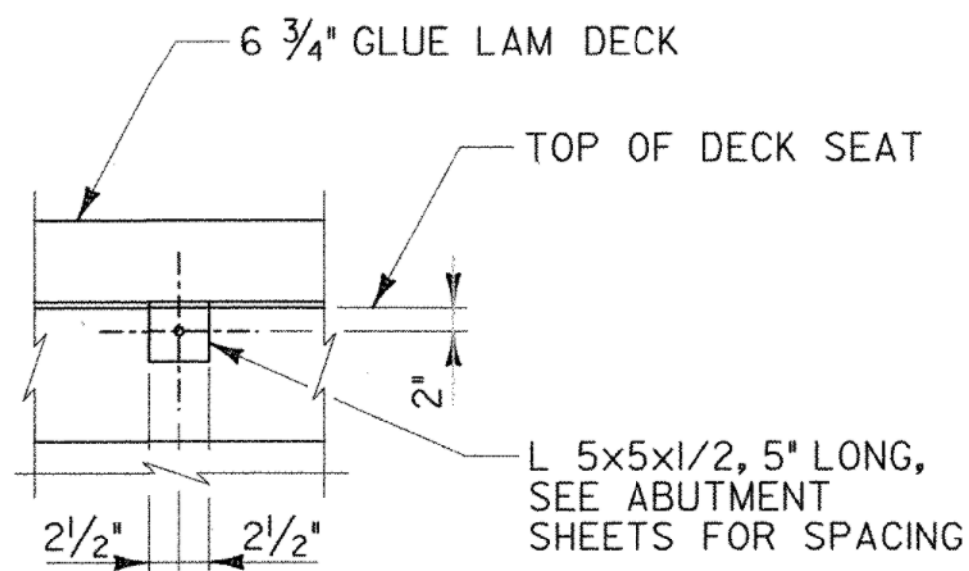


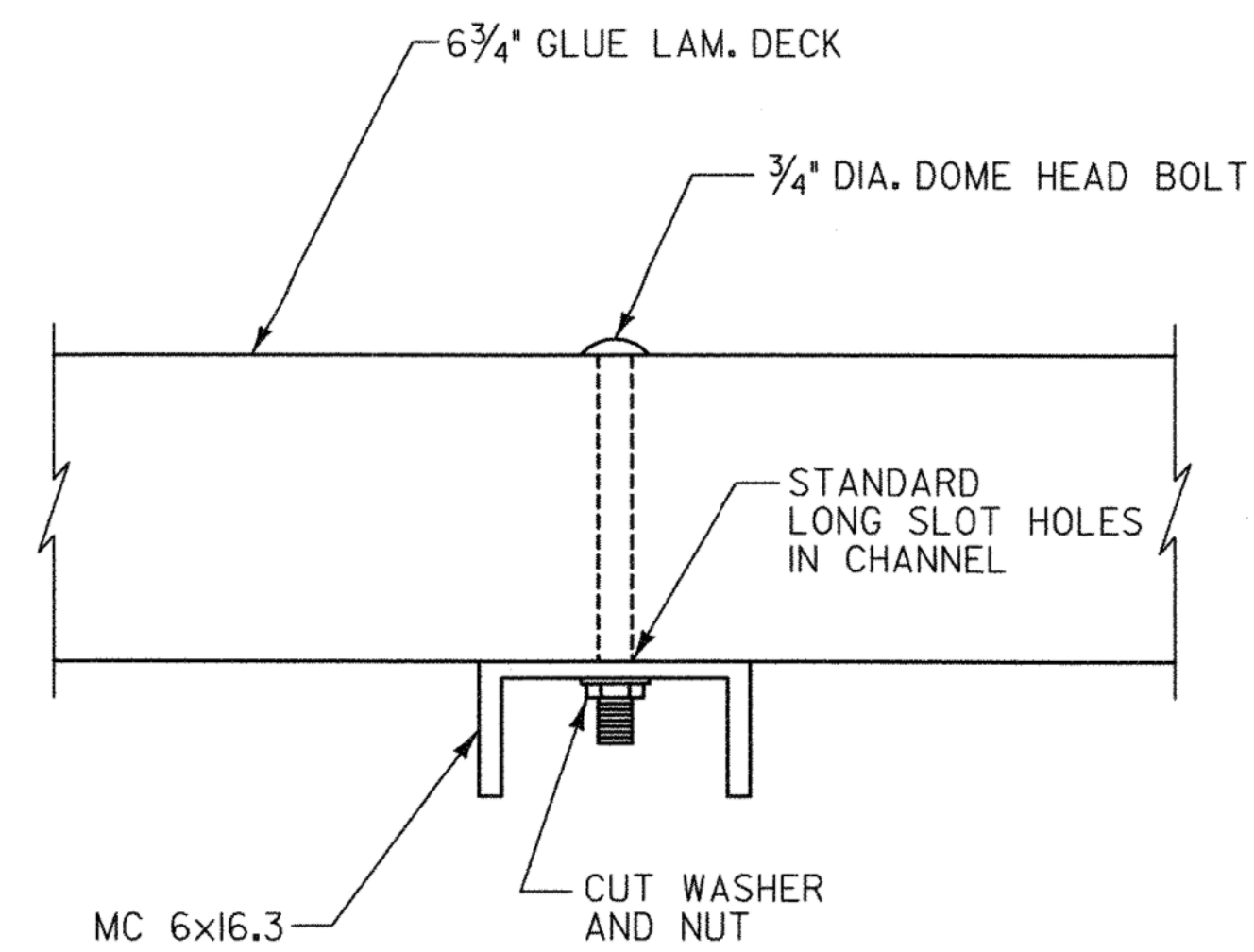
DECK DETAIL @ ABUTMENT

SCALE: 3/4" = 1'-0"



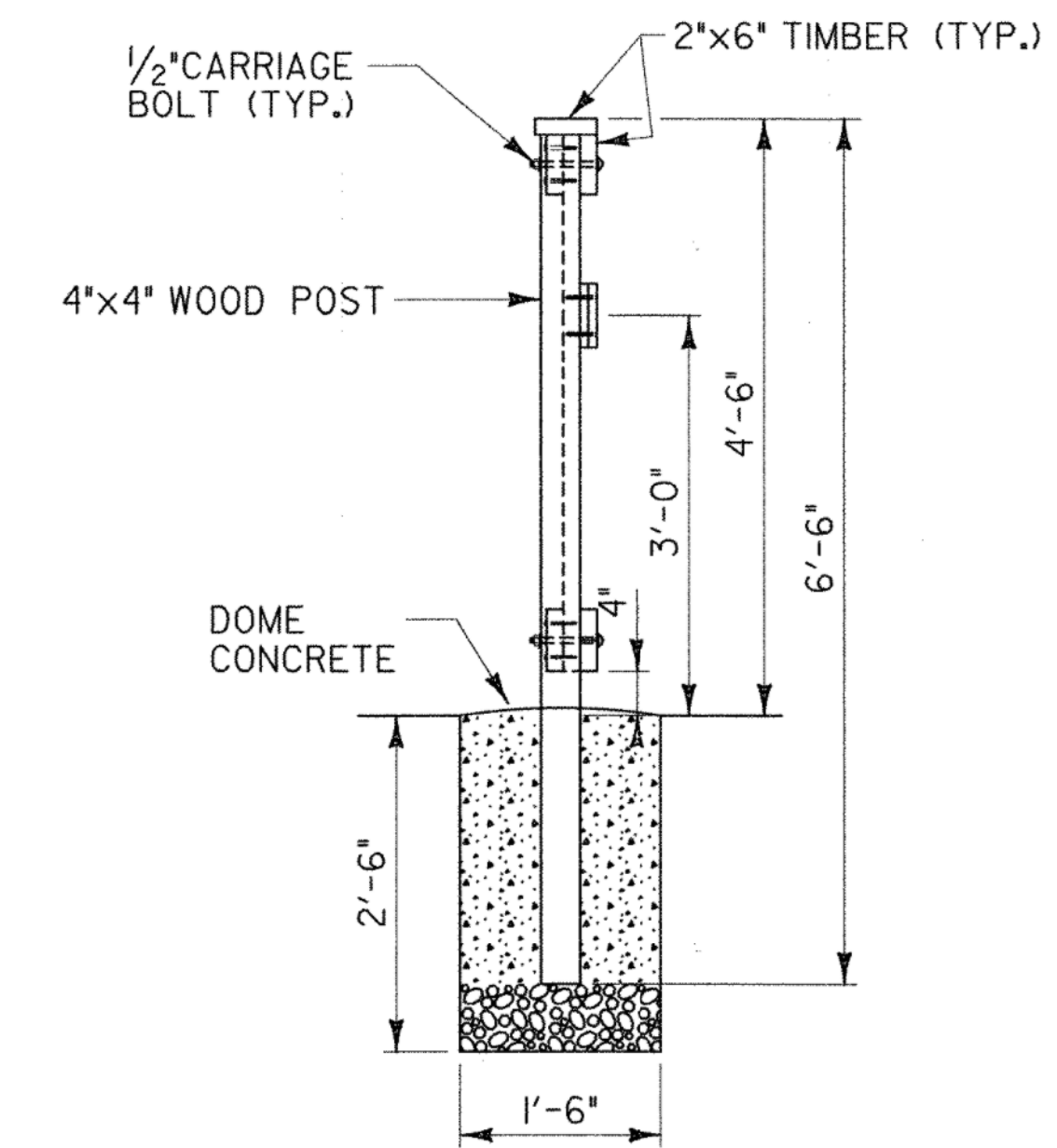
VIEW H-H

SCALE: 3/4" = 1'-0"



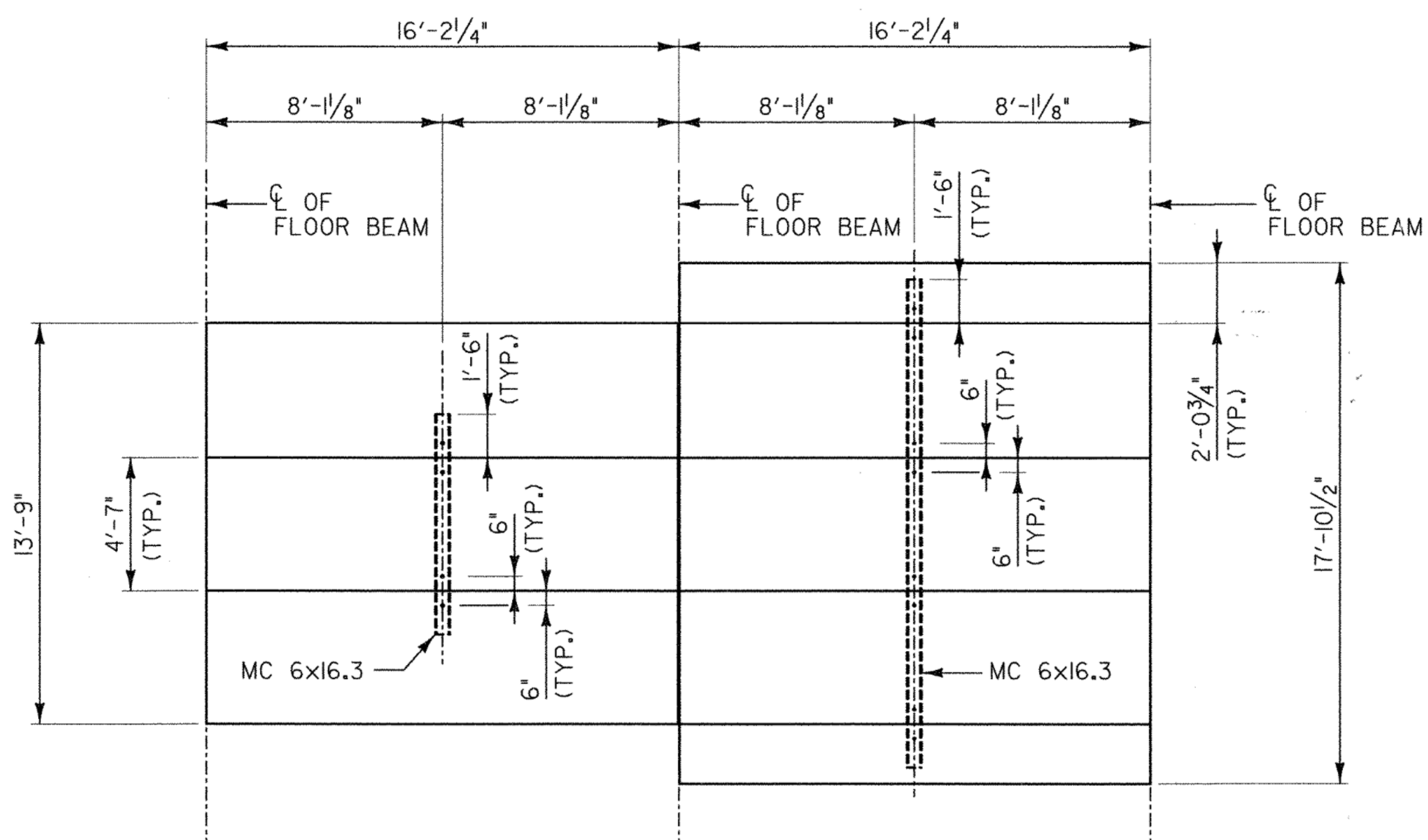
TRANSVERSE STIFFENER CONNECTION

SCALE: 3" = 1'-0"



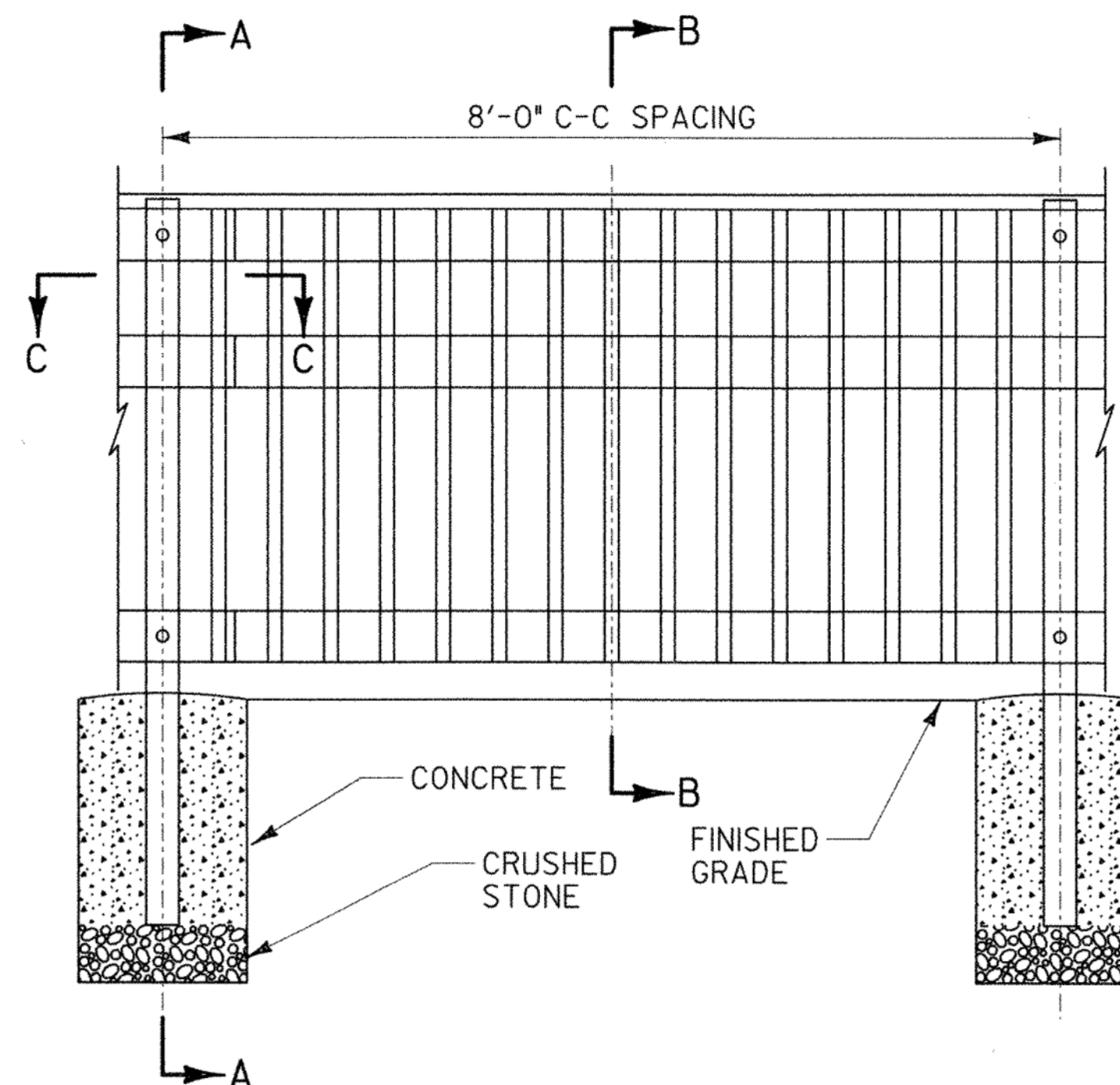
SECTION A-A

SCALE: 3/4" = 1'-0"



TYPICAL TRANSVERSE STIFFENER LAYOUT

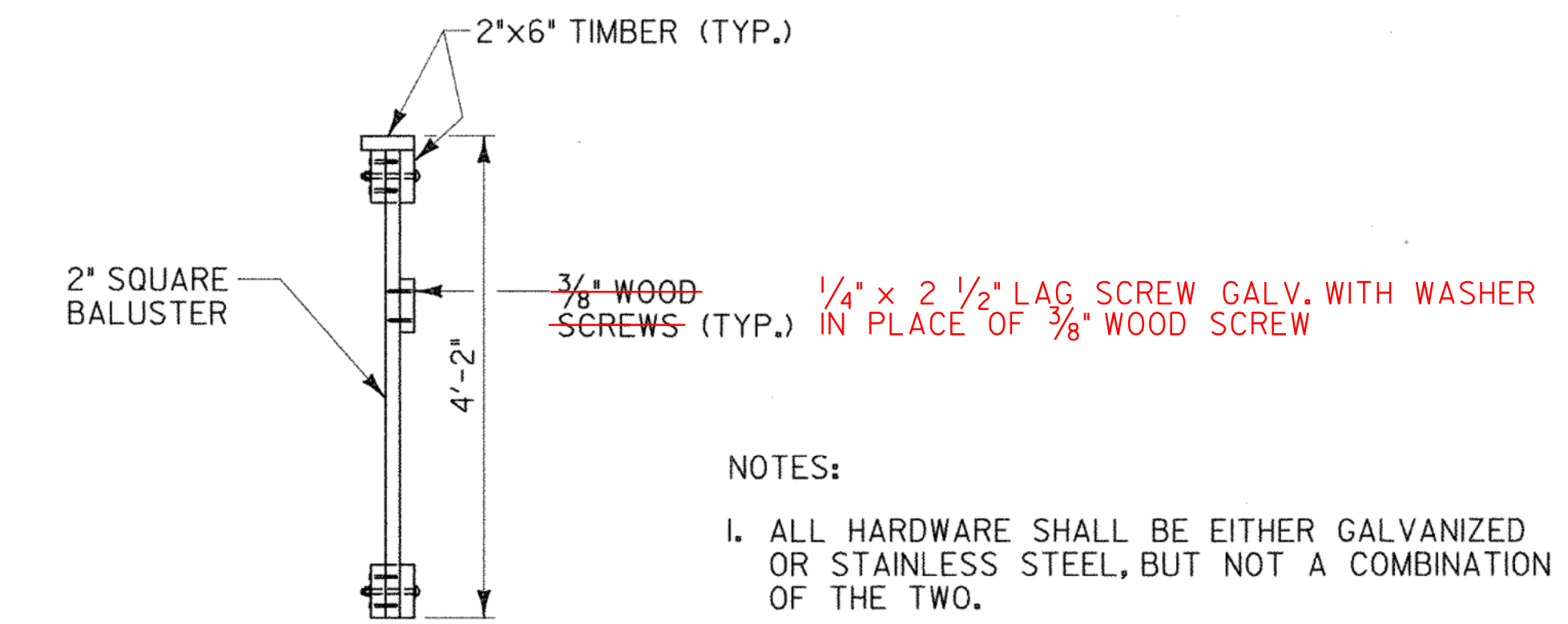
SCALE: 1/4" = 1'-0"



ELEVATION

SCALE: 3/4" = 1'-0"

SPECIAL PROVISION (TIMBER FENCE WITH PICKETS)

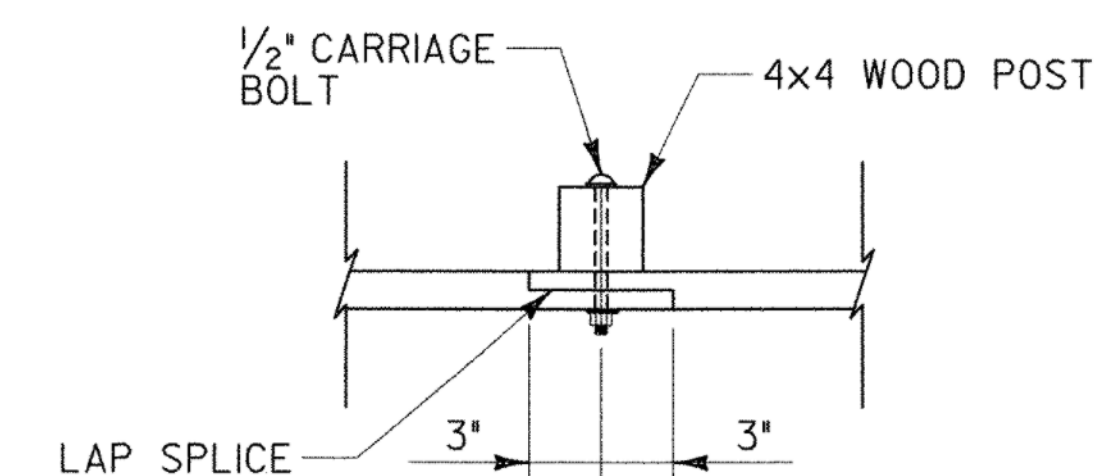


SECTION B-B

SCALE: 3/4" = 1'-0"

NOTES:

1. ALL HARDWARE SHALL BE EITHER GALVANIZED OR STAINLESS STEEL, BUT NOT A COMBINATION OF THE TWO.
2. ALL WOOD SHALL BE PRESSURE TREATED SOUTHERN YELLOW PINE, GRADE "SELECT STRUCTURAL".



VIEW C-C

SCALE: 1/2" = 1'-0"

STATE OF VERMONT AGENCY OF TRANSPORTATION	
Town Of SWANTON	Bridge No. 18
Highway No.	Log Sta. _____ Surv. Sta. _____
RAIL TRAIL OVER MISSISQUOI RIVER	
TIMBER DECK AND RAIL DETAILS	
Designed By R. SACCHI	Drawn By R. ROSS/A. ZAWILINSKI
Checked By H. BUI	Bridge Design Supervisor
Date 1/23/08	Date 1/23/08
PROJECT SWANTON	PROJECT NO. STP ST MHTB(I)
I.G.C. Info. ZD024DD2.dgn	1/31/2008
Bridge Sheet No. BR3	Sheet 24 of 63