

SOIL CLASSIFICATION

AASHTO

A1	Gravel and Sand
A3	Fine Sand
A2	Silty or Clayey Gravel and Sand
A4	Silty Soil - Low Compressibility
A5	Silty Soil - Highly Compressible
A6	Clayey Soil - Low Compressibility
A7	Clayey Soil - Highly Compressible

ROCK QUALITY DESIGNATION

R.Q.D. (%)	ROCK DESCRIPTION
<25	Very Poor
25 to 50	Poor
51 to 75	Fair
76 to 90	Good
>90	Excellent

SHEAR STRENGTH

UNDRAINED SHEAR STRENGTH IN P.S.F.	CONSISTENCY
<250	Very Soft
250-500	Soft
500-1000	Med. Stiff
1000-2000	Stiff
2000-4000	Very Stiff
>4000	Hard

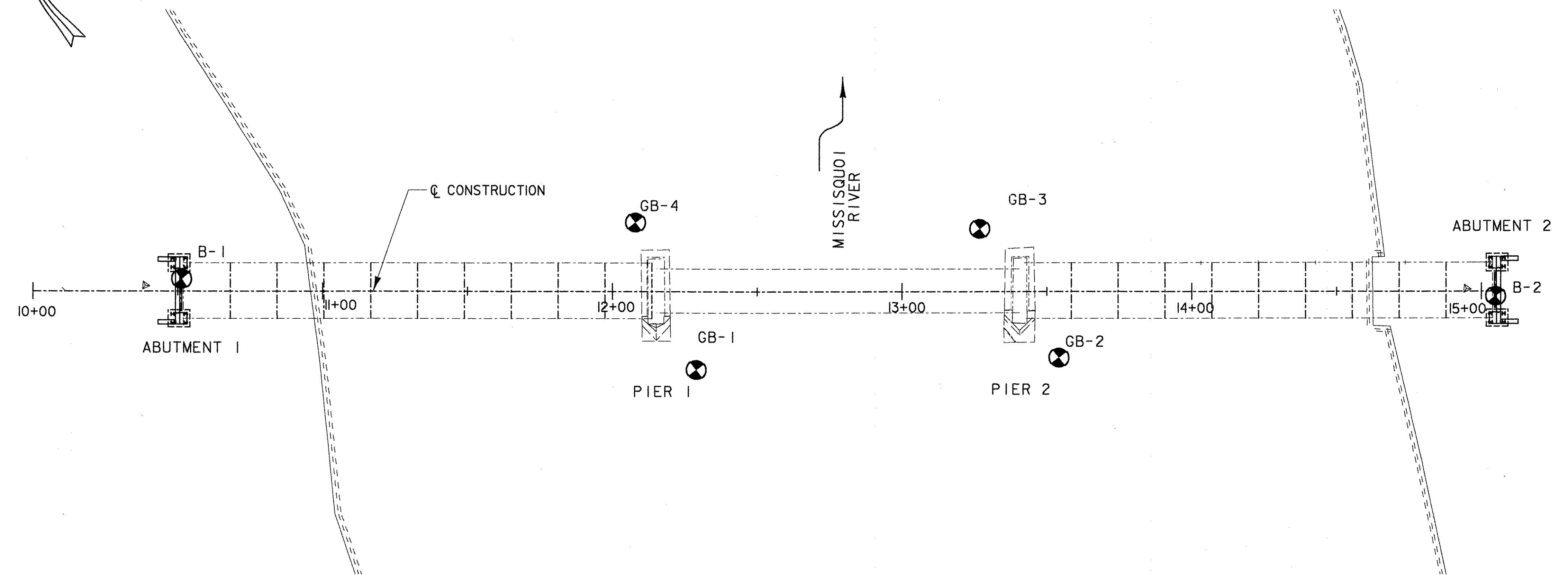
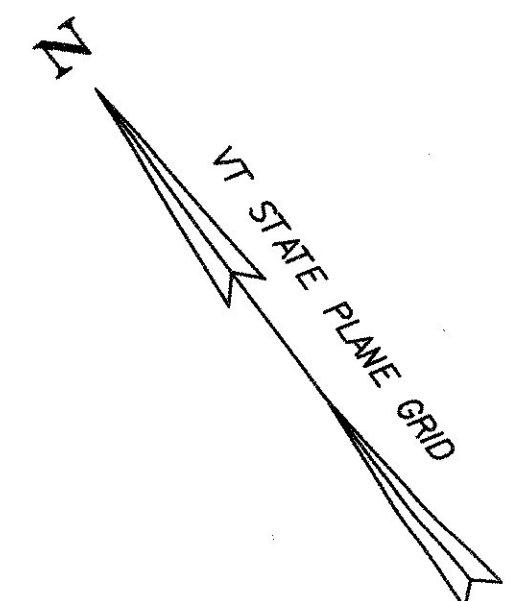
CORRELATION GUIDE OF "N" TO DENSITY/CONSISTENCY

DENSITY (GRANULAR SOILS)		CONSISTENCY (COHESIVE SOILS)	
N	DESCRIPTIVE TERM	N	DESCRIPTIVE TERM
<5	Very Loose	<2	Very Soft
5-10	Loose	2-4	Soft
11-24	Med. Dense	5-8	Med. Stiff
25-50	Dense	9-15	Stiff
>50	Very Dense	16-30	Very Stiff
		31-60	Hard
		>60	Very Hard

COMMONLY USED SYMBOLS

- ▼ Water Elevation
- ⊕ Standard Penetration Boring
- ⊗ Auger Boring
- Rod Sounding
- S Sample
- N Standard Penetration Test
- Blow Count Per Foot For:
- 2" O.D. Sampler
- 1 3/8" I.D. Sampler
- Hammer Weight Of 140 Lbs.
- Hammer Fall Of 30"
- VS Field Vane Shear Test
- US Undisturbed Soil Sample
- B Blast
- DC Diamond Core
- MD Mud Drill
- WA Wash Ahead
- HSA Hollow Stem Auger
- AX Core Size 1 1/8"
- BX Core Size 1 5/8"
- NX Core Size 2 1/8"
- M Double Tube Core Barrel Used
- LL Liquid Limit
- PL Plastic Limit
- PI Plasticity Index
- NP Non Plastic
- w Moisture Content (Dry Wgt. Basis)
- D Dry
- M Moist
- MTW Moist To Wet
- W Wet
- Sat Saturated
- Bo Boulder
- Gr Gravel
- Sa Sand
- SI Silt
- Cl Clay
- HP Hardpan
- Le Ledge
- NLTD No Ledge To Depth
- CNPF Can Not Penetrate Further
- TLOB To Ledge Or Boulder
- NR No Recovery
- Rec. Recovery
- %Rec. Percent Recovery
- RQD Rock Quality Designation
- CBR California Bearing Ratio
- < Less Than
- > Greater Than
- R Refusal (N > 100)

COLOR			
bik	Black	pnk	Pink
bl	Blue	pu	Purple
brn	Brown	rd	Red
dk	Dark	tn	Tan
gry	Gray	wh	White
gn	Green	yel	Yellow
lt	Light	mtc	Multicolored
or	Orange		

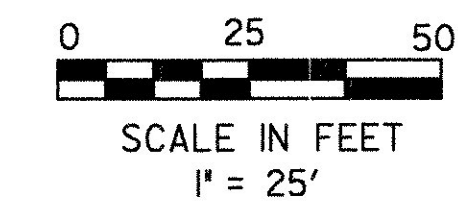


BORING CHART

HOLE NO.	SURV. STATION	OFFSET	GROUND ELEV.	ELEV. TLOB
B-1	10+50.71	4.1' LT	128.6'	89.6'
B-2	15+04.92	1.7' RT	128.7'	91.2'
GB-1	12+27.02	30.2' RT	*108.2'	81.5'
GB-2	13+52.26	26.1 RT	*108.2'	87.2'
GB-3	13+24.93	18.5 LT	*109.2'	94.0
GB-4	12+06.05	20.7 LT	*108.7'	93.7

*RIVER ELEVATION AT TIME OF BORE HOLE
ALL MEASUREMENTS ARE APPROXIMATE

BORING PLAN



DEFINITIONS (AASHTO)

- BEDROCK (LEDGE)** - Rock in its native location of indefinite thickness.
- BOULDER** - A rock fragment with an average dimension > 12 inches.
- COBBLE** - Rock fragments with an average dimension between 3 and 12 inches.
- GRAVEL** - Rounded particles of rock < 3" and > 0.075" (#10 sieve).
- SAND** - Particles of rock < 0.075" (#10 sieve) and > 0.0029" (#200 sieve).
- SILT** - Soil < 0.0029" (#200 sieve), non or slightly plastic and exhibits no strength when air-dried.
- CLAY** - Fine grained soil, exhibits plasticity when moist and considerable strength when air-dried.
- VARVED** - Alternate layers of silt and clay.
- HARDPAN** - Extremely dense soil, cemented layer, not softened when wet.
- MUCK** - Soft organic soil (containing > 10% organic material).
- MOISTURE CONTENT** - Weight of water divided by dry weight of soil.
- FLOWING SAND** - Granular soil so saturated (loose) that it flows into drill casing during extraction of wash rod.
- STRIKE** - Angle from magnetic north to line of intersection of bed with a horizontal plane.
- DIP** - Inclination of bed with a horizontal plane.

GENERAL NOTES

- The subsurface explorations shown herein were made between 02-03-04 and 02-04-04 by SUB Services.
- Soil and rock classifications, properties and descriptions are based on engineering interpretation from available subsurface information by the Agency and may not necessarily reflect actual variations in subsurface conditions that may be encountered between individual boring or sample locations.
- Observed water levels and/or conditions indicated are as recorded at the time of exploration and may vary according to the prevailing rainfall, methods of exploration and other factors.
- Engineering judgement was exercised in preparing the subsurface information presented herein. Analysis and interpretation of subsurface data was performed and interpreted for Agency design and estimating purposes. Presentation of the information in the Contract is intended to provide the Contractor access to the same data available to the Agency. The subsurface information is presented in good faith and is not intended as a substitute for personal investigation, independent interpretation, independent analysis or judgement by the Contractor.
- Pictorial structure details shown on the boring plan layout or soils profile are for illustrative purposes only and may not accurately portray final contract details.
- Terminology used on boring logs to describe the hardness, degree of weathering, and spacing of fractures, joints and other discontinuities in the bedrock is defined in the AASHTO Manual on Subsurface Investigations, 1988.

STATE OF VERMONT AGENCY OF TRANSPORTATION

Town Of	SWANTON	Bridge No.	18
Highway No.		Log Sta.	
		Surv. Sta.	
RAIL TRAIL OVER MISSISQUOI RIVER			
BORING INFORMATION			
Designed By	BRUCE ERNST	Drawn By	M. McINTOSH
Checked By	H. BUI	Date	1/23/08
		Bridge Design Supervisor	R. SACCHI
		Date	1/23/08
PROJECT	SWANTON	PROJECT NO.	STP ST MHTB(II)

URS URS CORPORATION

I.G.C. Info. zd024bor1.dgn
Bridge Sheet No. BR3 Sheet 9 of 63