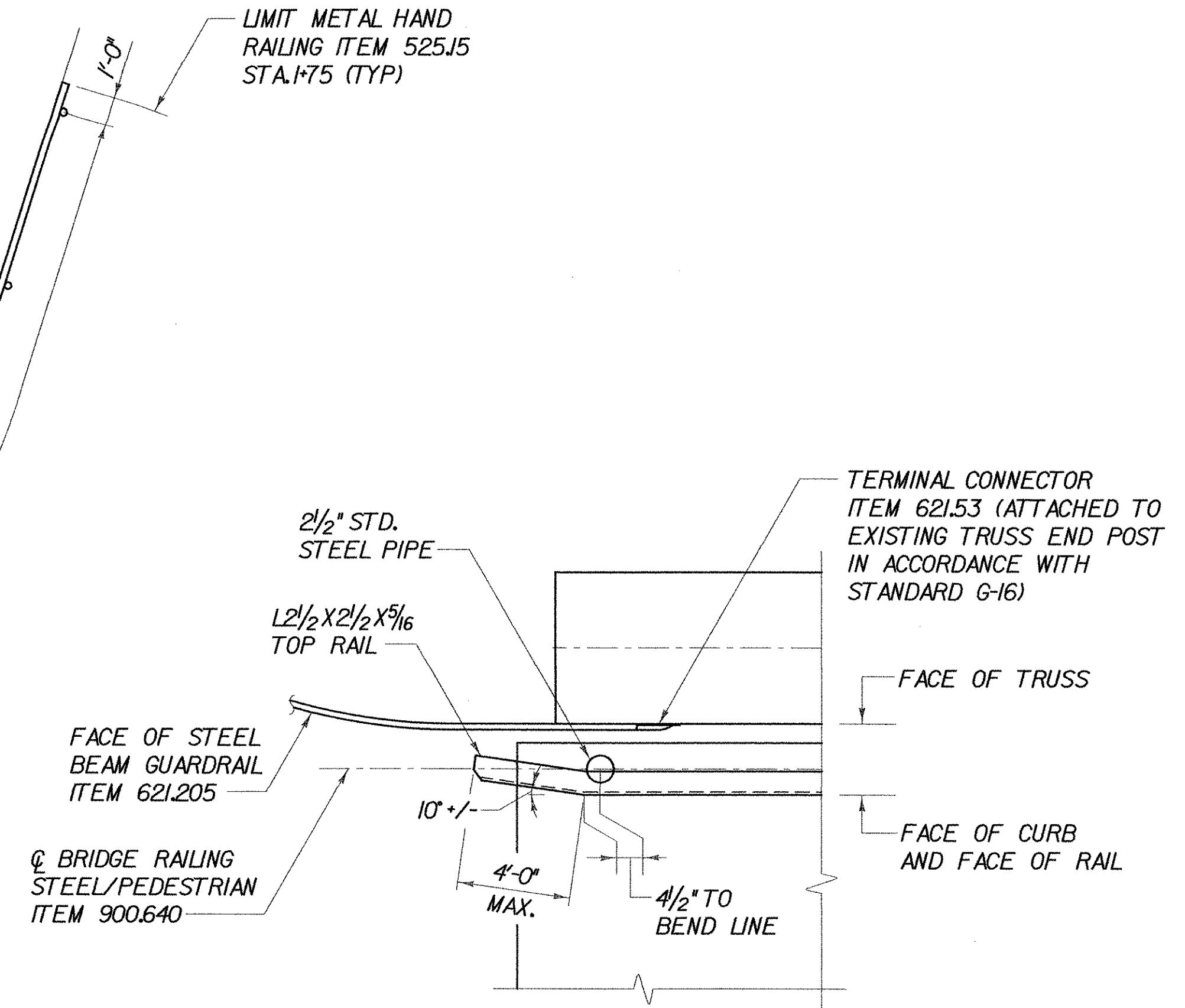
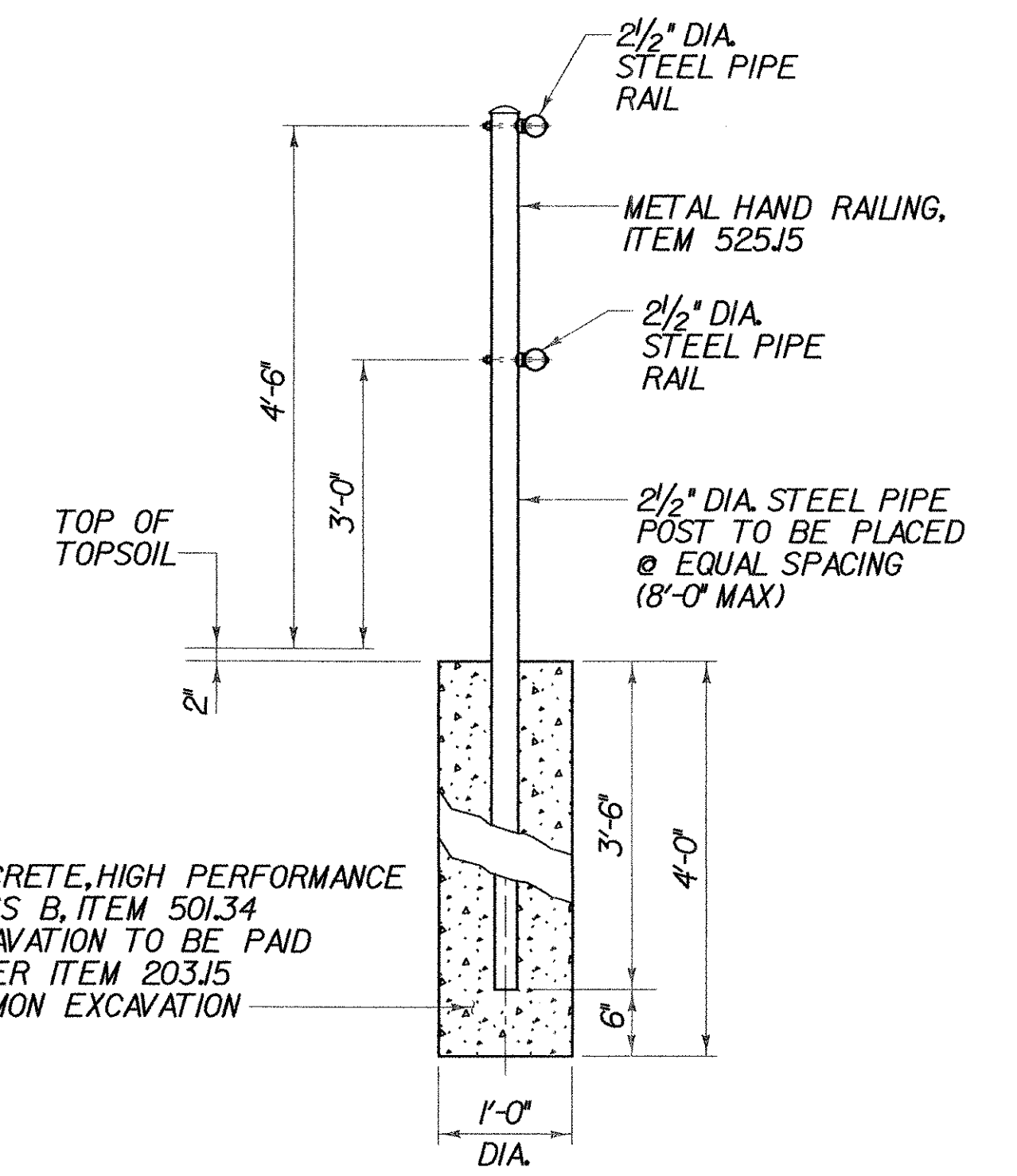


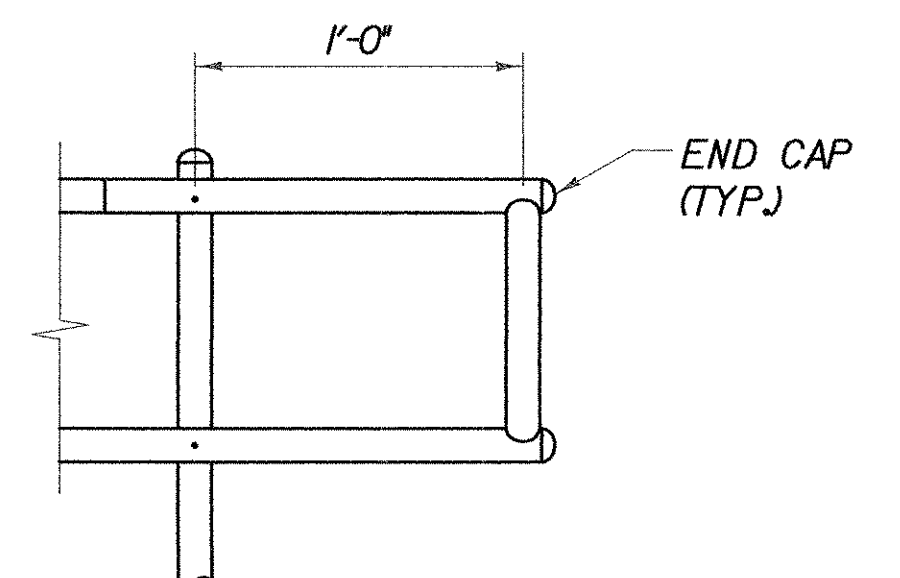
**RAIL LAYOUT PLAN**  
SCALE 1/4" = 1'-0"  
1 0 2 4 6



**DETAIL 1**  
(NOT TO SCALE)



**METAL HAND RAILING SECTION**  
(NOT TO SCALE)



**METAL HAND RAILING END ELEVATION**  
(NOT TO SCALE)

**RAIL LAYOUT PLAN AND DETAILS**

PROJECT NAME:	WALLINGFORD	PLOT DATE:	1/9/2009
PROJECT NUMBER:	STP ST WALK(14)	DRAWN BY:	W. WEATHERBY
FILE NAME:	FILES#	DESIGNED BY:	L. HARDEN
PROJECT MANAGER:	SUSAN SCRIBNER	BRIDGE DESIGN SUPERVISOR:	P. HALSTEAD
CHECKED BY:	P. HALSTEAD	SHEET	25 OF 26



FILE NAME: sub98650.mxd  
 DATE/TIME: 1/9/2009 11:25:52  
 USER: p2652