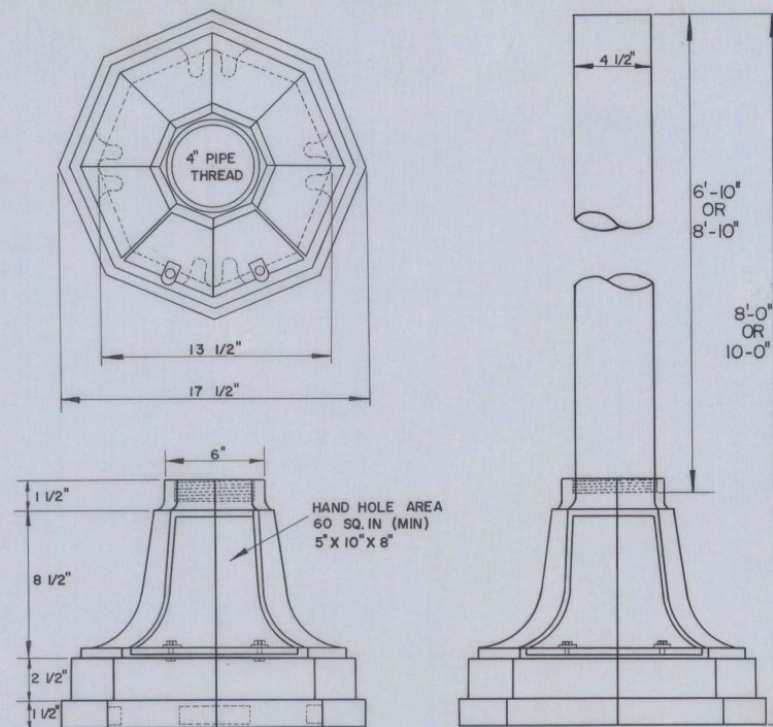
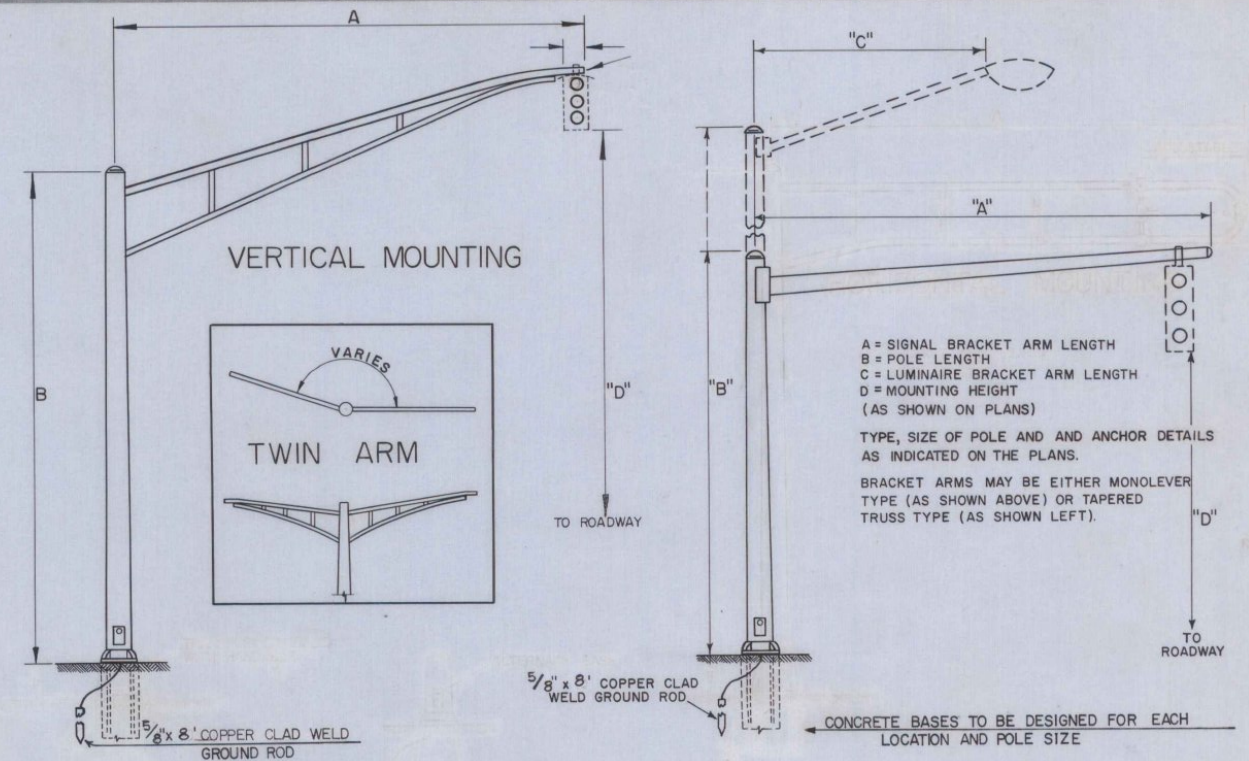


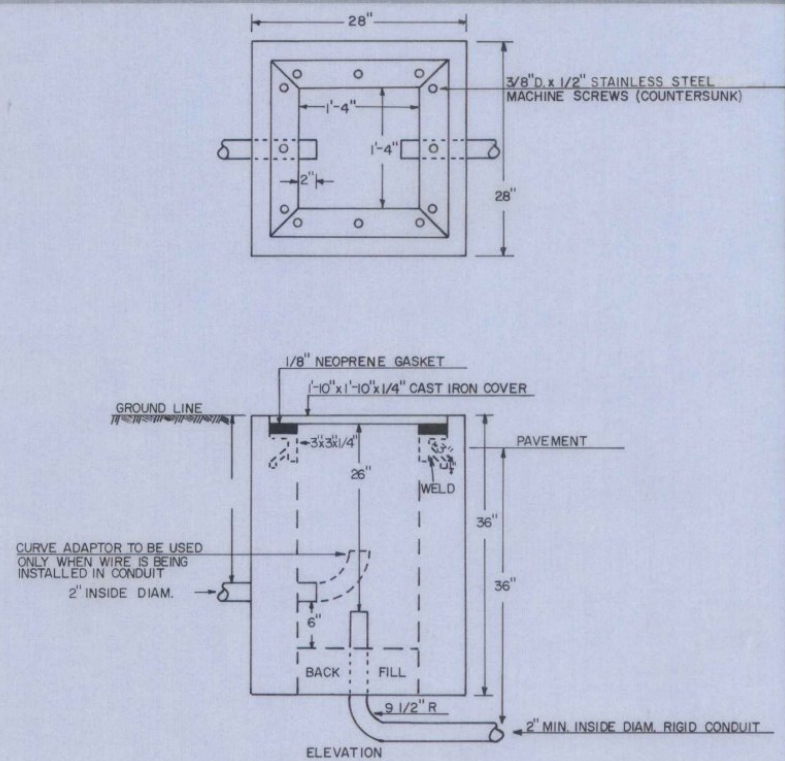
DETAILS OF PULL BOX TYPE - "A"



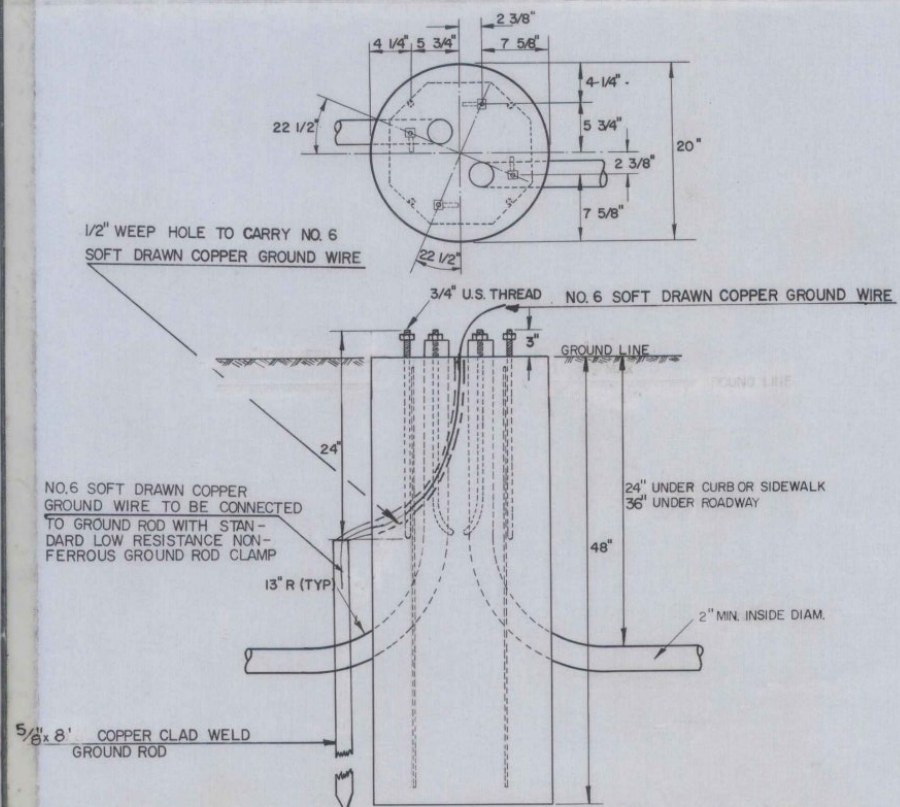
DETAILS OF TRAFFIC SIGNAL PEDESTAL POST & BASE



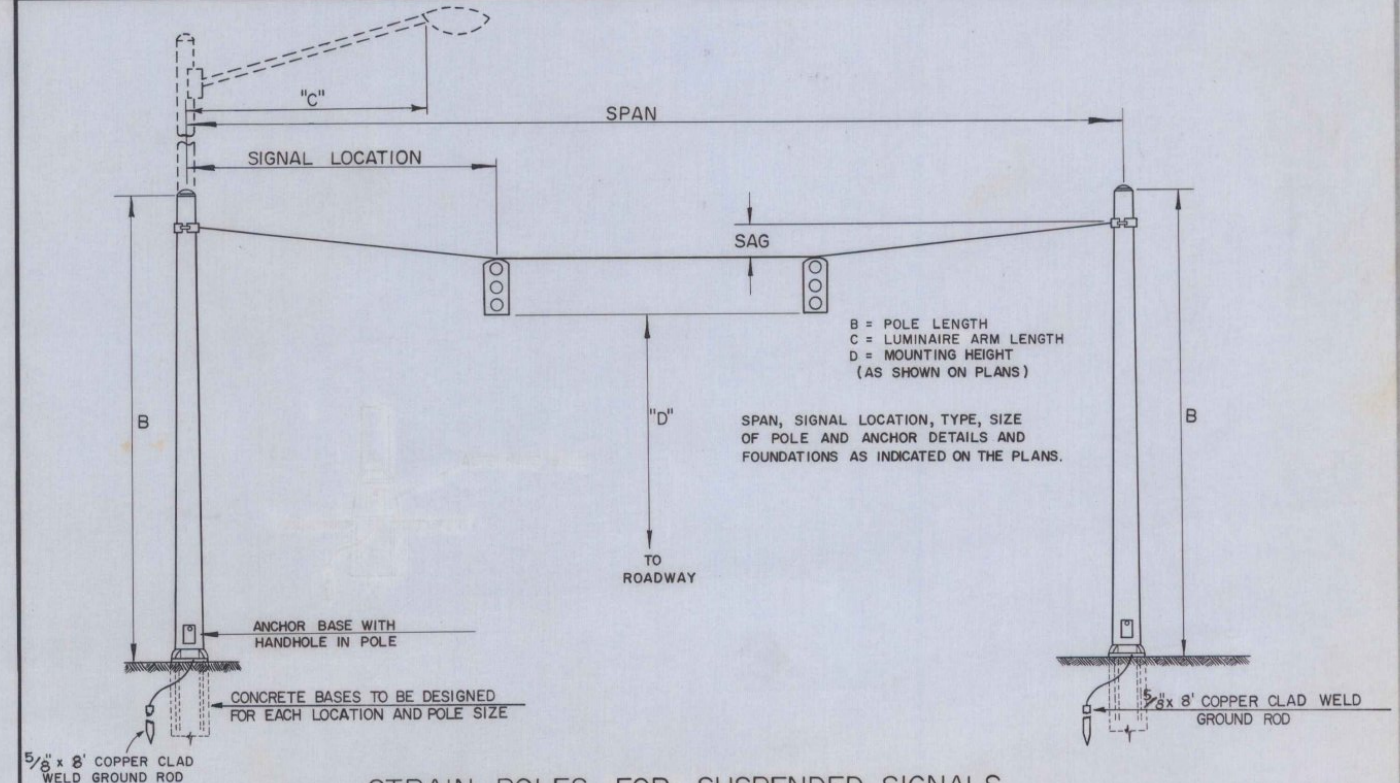
TRAFFIC SIGNAL POLES WITH BRACKET ARMS FOR SIGNALS (AND LUMINAIRES)



DETAILS OF PULL BOX TYPE - "B"



DETAILS OF CONCRETE BASE FOR ABOVE PEDESTAL POST



STRAIN POLES FOR SUSPENDED SIGNALS (AND LUMINAIRES)

REVISIONS AND CORRECTIONS

APRIL 29, 1980 CHANGED MATERIAL SPECIFIED FOR SCREWS ATTACHING COVER TO PULL BOXES.  
AUG. 6, 1981 CHANGED GROUND ROD FROM 1" X 10' TO 5/8" X 8'

APPROVED  
DATE  
Dec. 17, 1971

*R.H. Arnold*  
CHIEF ENGINEER

*E.H. Stickney*  
ASST. CHIEF ENGINEER

*G.M. Law*  
HIGHWAY ENGINEER

TRAFFIC CONTROL SIGNALS



STANDARD  
E-33