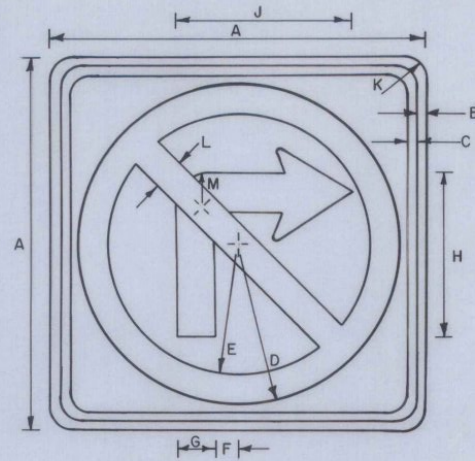
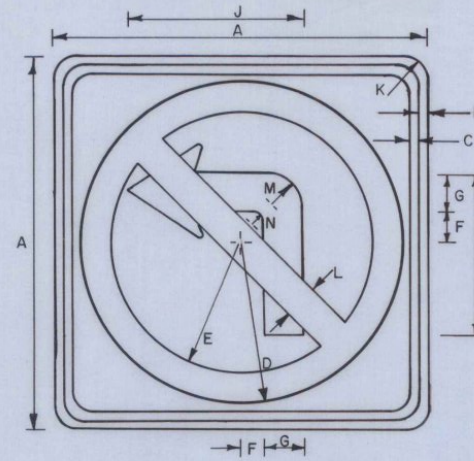


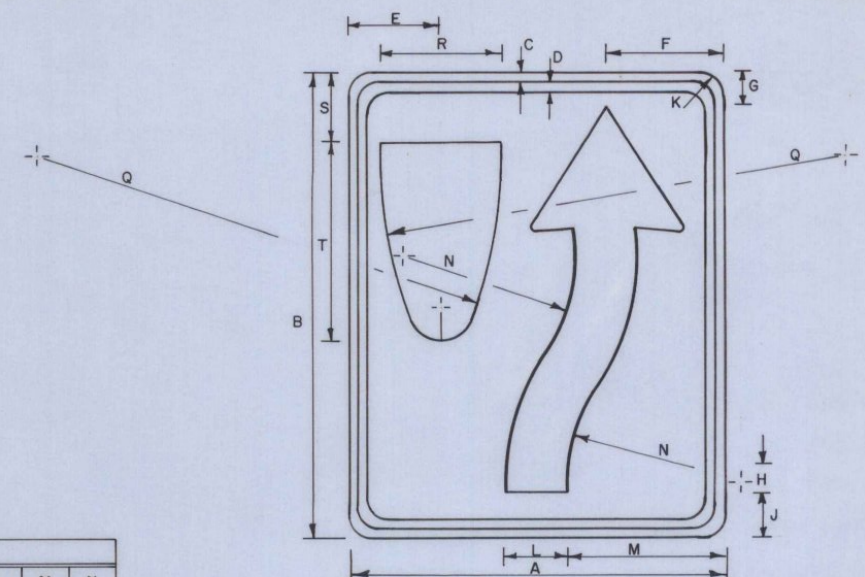
SIGN	DIMENSIONS (INCHES)												
	A	B	C	D	E	F	G	H	J	K	L	M	
MINIMUM & STD.	24	3/8	5/8	10 1/2	8 1/2	2 1/2	2 1/2	6	2 1/4	1 1/2	2	5	
SPECIAL	30	1/2	3/4	13 1/8	10 5/8	3 1/8	3 1/8	7 1/2	2 3/4	1 7/8	2 1/2	6 1/4	
EXPRESSWAY	36	5/8	7/8	15 3/4	12 3/4	3 3/4	3 3/4	9	3 3/8	2 1/4	3	7 1/2	
FREEWAY	48	3/4	1 1/4	21	17	5	5	12	4 1/2	3	4	10	



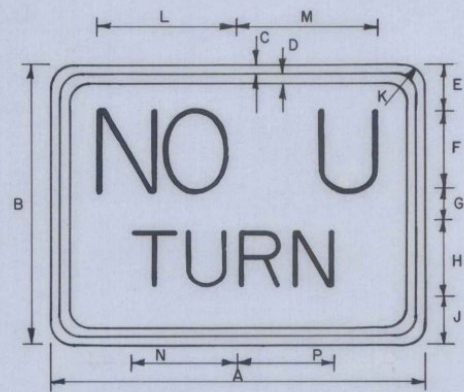
SIGN	DIMENSIONS (INCHES)												
	A	B	C	D	E	F	G	H	J	K	L	M	
MINIMUM & STD.	24	3/8	5/8	10 1/2	8 1/2	1 1/2	2 1/2	10 1/2	11 1/2	1 1/2	2	2	
SPECIAL	30	1/2	3/4	13 1/8	10 5/8	1 7/8	3 1/8	13	14 1/2	1 7/8	2 1/2	2 1/2	
EXPRESSWAY	36	5/8	7/8	15 3/4	12 3/4	2 1/4	3 3/4	18	17	2 1/4	3	3	
FREEWAY	48	3/4	1 1/4	21	17	3	5	21	23	3	4	4	



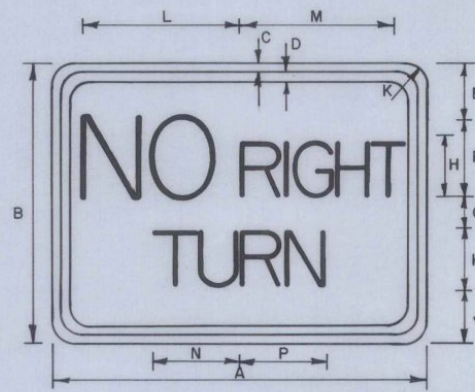
SIGN	DIMENSIONS (INCHES)													
	A	B	C	D	E	F	G	H	J	K	L	M	N	
MINIMUM & STD.	24	3/8	5/8	10 1/2	8 1/2	1 1/2	2 1/2	10 1/2	11 1/2	1 1/2	2	2	1 1/2	
SPECIAL	30	1/2	3/4	13 1/8	10 5/8	1 7/8	3 1/8	13	14 1/2	1 7/8	2 1/2	2 1/2	5/8	
EXPRESSWAY	36	5/8	7/8	15 3/4	12 3/4	2 1/4	3 3/4	18	17	2 1/4	3	3	3/4	
FREEWAY	48	3/4	1 1/4	21	17	3	5	21	23	3	4	4	1	



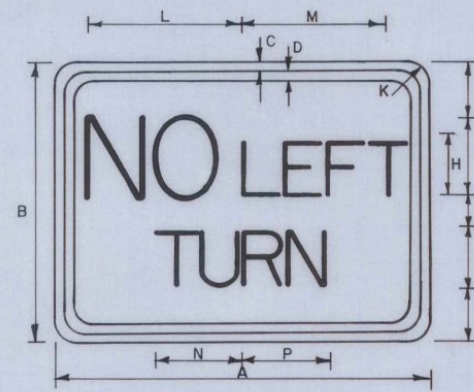
SIGN	DIMENSIONS (INCHES)																	
	A	B	C	D	E	F	G	H	J	K	L	M	N	P	Q	R	S	T
MINIMUM	18	24	3/8	5/8	4 1/2	5 5/8	1 1/16	1 7/8	2 1/4	1 1/2	3	7 1/2	8 1/4	1 1/2	22 1/2	6	3 3/8	9 3/8
STANDARD	24	30	3/8	5/8	6	7 1/2	2 1/4	2 1/2	3	1 1/2	4	10	11	2	30	8	4 1/2	12 1/2
EXPRESSWAY	36	48	5/8	7/8	9	11 1/4	3 3/8	3 3/4	4 1/2	2 1/4	6	15	16 1/2	3	45	12	6 3/4	8 3/4
FREEWAY	48	60	3/4	1 1/4	12	15	4 1/2	5	6	3	8	20	22	4	60	16	9	25



SIGN	DIMENSIONS (INCHES)													
	A	B	C	D	E	F	G	H	J	K	L	M	N	P
MINIMUM & STD.	24	18	3/8	5/8	3	6	2	4	3	1 1/2	9	9	6 5/8	6 5/8



SIGN	DIMENSIONS (INCHES)													
	A	B	C	D	E	F	G	H	J	K	L	M	N	P
MINIMUM & STD.	24	18	3/8	5/8	3 1/2	5	2	4	3 1/2	1 1/2	10	10	5 1/2	5 1/2

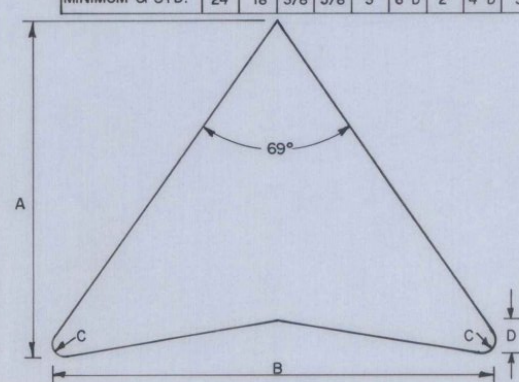


SIGN	DIMENSIONS (INCHES)													
	A	B	C	D	E	F	G	H	J	K	L	M	N	P
MINIMUM & STD.	24	18	3/8	5/8	3 1/2	5	2	4	3 1/2	1 1/2	9 1/4	9 3/4	5 1/2	5 1/2



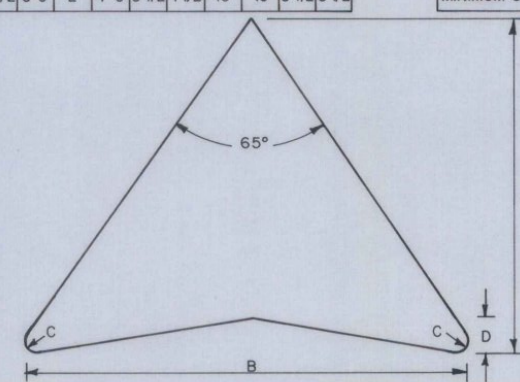
SIGN	DIMENSIONS (INCHES)											
	A	B	C	D	E	F	G	H	J	K	L	M
MINIMUM & STD.	24	18	3/8	5/8	3	5	2	8	1 1/2	8 3/4	1 1/2	9 1/2

MATERIALS:
 THE SIGN BASE MATERIAL USED FOR THE REGULATORY SIGNS SHOWN ON THIS SHEET MAY BE ANY OF THE FOLLOWING MINIMUM THICKNESSES NOTED (ONE POST):
 (1) FLAT SHEET ALUMINUM 24x18 - 24x36 - 24x48 - 30x36 - 30x48
 0.080 0.080 0.100 0.100
 (2) HIGH DENSITY OVERLAP PLYWOOD 1/2" 1/2" 5/8"
 (3) GALVANIZED SHEET STEEL 16 GA. 16 GA. 14 GA. 14 GA.
 THE REFLECTIVE MATERIAL SHALL BE OF REFLECTIVE SHEETING APPLIED TO THE ENTIRE BACKGROUND OF THE SIGN. THE CIRCLE AND DIAGONAL OF THE NO U TURN, NO LEFT TURN, AND NO RIGHT TURN SYMBOL SIGNS SHALL BE REVERSE SCREENED. THE ARROWS, TEXTS, AND BORDERS FOR ALL SIGNS MAY BE SCREENED, LETTERING FILM, OR HAND PAINTED.
COLORS:
 THE REGULATORY SIGNS SHOWN ON THIS SHEET, EXCEPT THE NO U TURN, NO RIGHT TURN, NO LEFT TURN SYMBOL SIGNS, SHALL HAVE A BLACK TEXT, ARROW, AND BORDER ON A REFLECTORIZED WHITE OR SILVER BACKGROUND.
 THE NO U TURN, NO RIGHT TURN, AND NO LEFT TURN SYMBOL SIGNS SHALL HAVE BLACK ARROW AND BORDER WITH A RED CIRCLE AND DIAGONAL ON A REFLECTORIZED WHITE OR SILVER BACKGROUND.
 THE RED SHALL CONFORM WITH THE STANDARD COLORS ADOPTED BY THE AMERICAN ASSOCIATION OF STATE HIGHWAY OFFICIALS AND APPROVED BY THE UNITED STATES DEPARTMENT OF TRANSPORTATION, FEDERAL HIGHWAY ADMINISTRATION.
TEXT DESIGN:
 LETTERS, DIGITS, ARROWS, SPACING, AND TEXT DIMENSIONS SHALL CONFORM WITH THE STANDARD ALPHABETS AND DESIGNS PRESCRIBED IN THE MANUAL ON UNIFORM TRAFFIC CONTROL DEVICES, PREPARED BY THE NATIONAL JOINT COMMITTEE ON UNIFORM TRAFFIC CONTROL DEVICES.
SPECIFICATIONS:
 REGULATORY SIGNS SHALL MEET THE STANDARD STATE SPECIFICATIONS FOR TRAFFIC SIGNS.



ARROW HEAD	DIMENSIONS (INCHES)				
	SIGN	A	B	C	D
MINIMUM & STD.	24	4 11/16	5 1/4	1/2	5/8
SPECIAL	30	5 7/8	6 9/16	5/8	25/32
EXPRESSWAY	36	7 1/32	7 7/8	3/4	15/16
FREEWAY	48	9 3/8	10 1/2	1	1 1/4

THESE ARROW HEAD DIMENSIONS APPLY TO THE NO U TURN, NO RIGHT TURN, AND NO LEFT TURN SIGNS.



ARROW HEAD	DIMENSIONS (INCHES)				
	SIGN	A	B	C	D
MINIMUM	18	6 3/32	8 7/64	9/32	15/64
STANDARD	24	8 1/8	10 13/16	3/8	5/16
EXPRESSWAY	36	12 3/16	16 7/32	9/16	15/32
FREEWAY	48	16 1/4	21 1/2	3/4	5/8

THESE ARROW HEAD DIMENSIONS APPLY TO THE KEEP RIGHT SIGN ONLY.

REVISIONS AND CORRECTIONS

APPROVED: DATE: Jan. 31, 1972
 R. H. Arnold
 CHIEF ENGINEER
 E. H. Stickney
 ASST. CHIEF ENGINEER
 G. M. Lane
 HIGHWAY ENGINEER

REGULATORY SIGNS

VERMONT
 DEPARTMENT
 OF HIGHWAYS
 STANDARD
 E-18