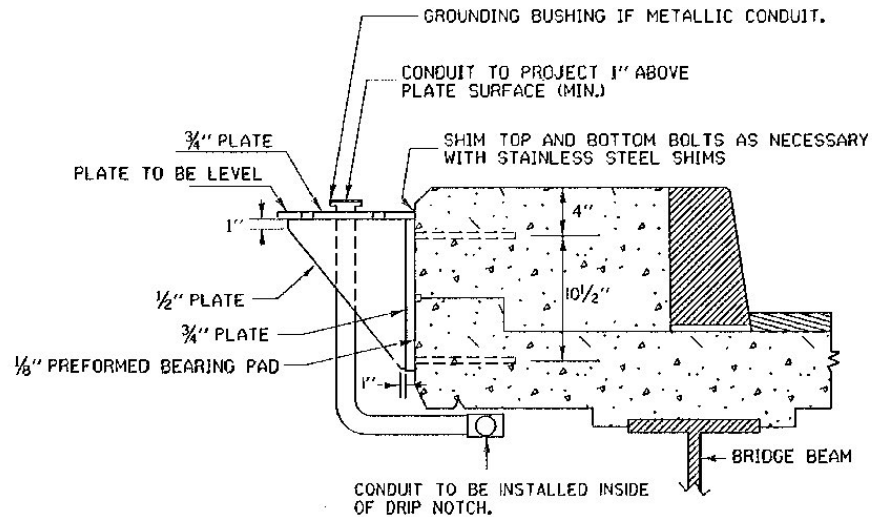


ELEVATION VIEW-FASCIA



SECTION A-A

NOTES

JUNCTION BOXES AND EXPANSION COUPLINGS SHALL BE OF THE SAME MATERIAL AND FINISH AS THE CONDUIT, HANGERS AND HARDWARE SHALL BE GALVANIZED.

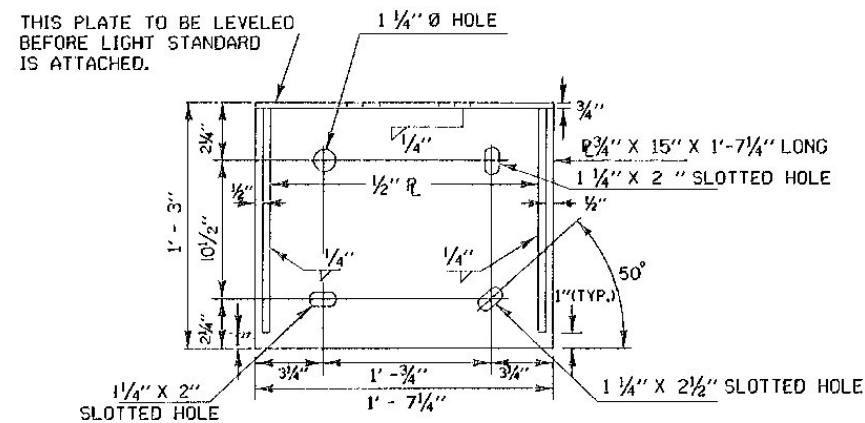
SIZE OF JUNCTION BOXES TO CONFORM TO THE REQUIREMENTS OF THE NATIONAL ELECTRICAL CODE (N.E.C.)

CONTRACTOR SHALL SUBMIT DETAILED DRAWINGS OF HANGERS, JUNCTION BOXES, AND CONDUIT EXPANSION COUPLINGS TO ENGINEER FOR APPROVAL.

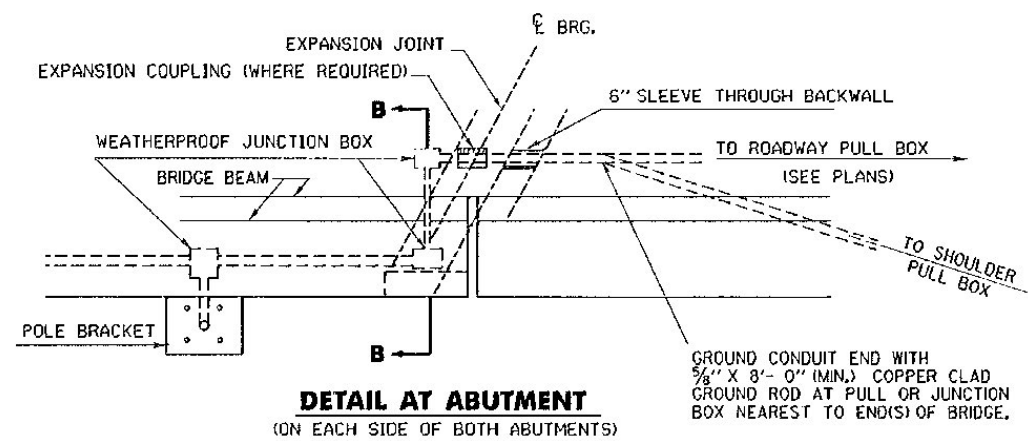
ANCHOR BOLTS, NUTS AND WASHERS AND TEMPLATE FOR ANCHOR BOLTS TO BE OBTAINED BY CONTRACTOR FROM POLE MANUFACTURER.

BRACKET ASSEMBLY SHALL BE GALVANIZED AFTER FABRICATION PER AASHTO M-232. STEEL IN BRACKET SHALL MEET THE REQUIREMENTS OF SUBSECTION 714.02.

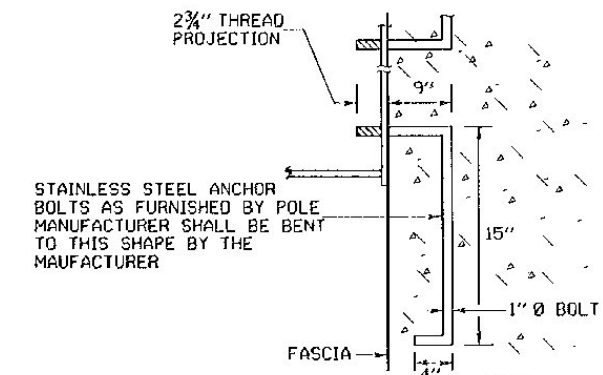
SEE STANDARD E-180 FOR POLE & LUMINAIRE DETAILS.
SEE STANDARD SHEET E-173 FOR PULL BOX DETAIL.



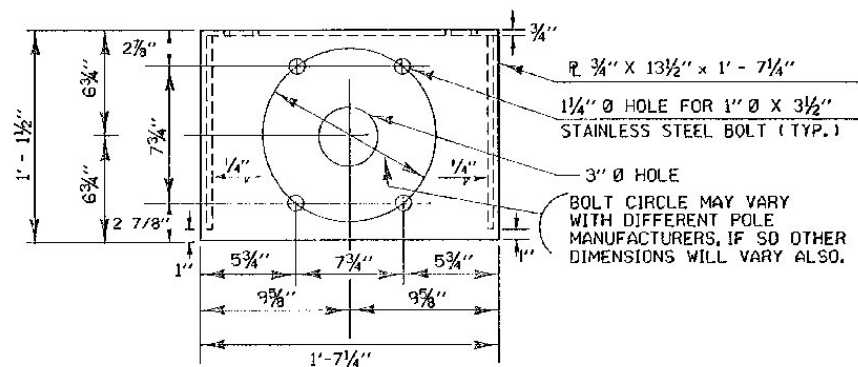
BRACKET ELEVATION VIEW



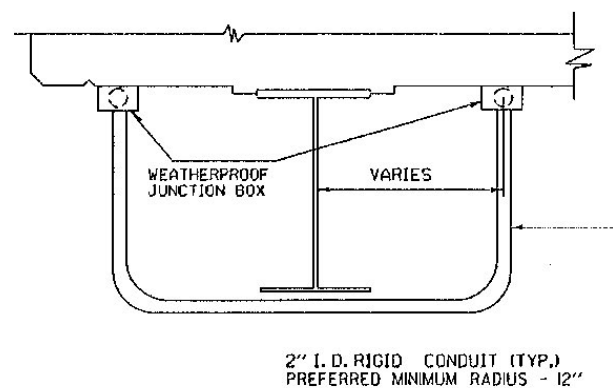
DETAIL AT ABUTMENT
(ON EACH SIDE OF BOTH ABUTMENTS)



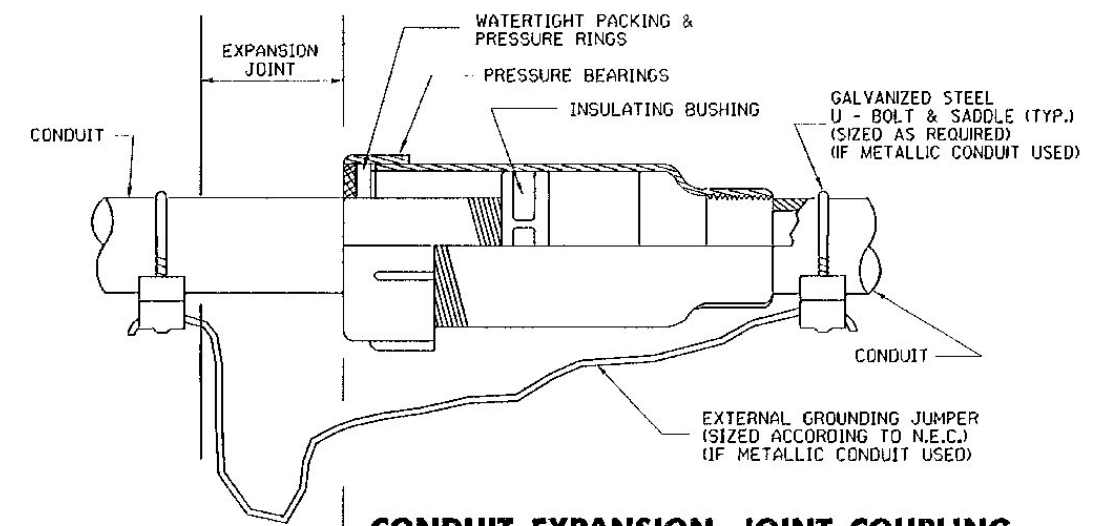
BOLT ORIENTATION PLAN VIEW



BRACKET PLAN VIEW FOR 11\"/>



SECTION B-B



CONDUIT EXPANSION JOINT COUPLING
(ALLOW FOR EXPANSION AS INDICATED ON THE BRIDGE PLANS)

THIS SHEET NOT TO SCALE

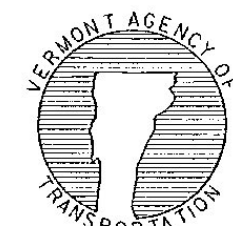
REVISIONS AND CORRECTIONS
OCT21, 1992- REVISED NOTES & TITLE BLOCK

APPROVED: SEPT. 10, 1987
DATE

Frank B. MacArthur
DIRECTOR OF ENGINEERING

David A. Ross
TRAFFIC AND SAFETY ENGINEER

TYPICAL BRIDGE MOUNTING DETAILS FOR STREET LIGHT POLE
(FOR LUMINAIRE MOUNTING HEIGHTS ≤ 35 FEET)



STANDARD E-181