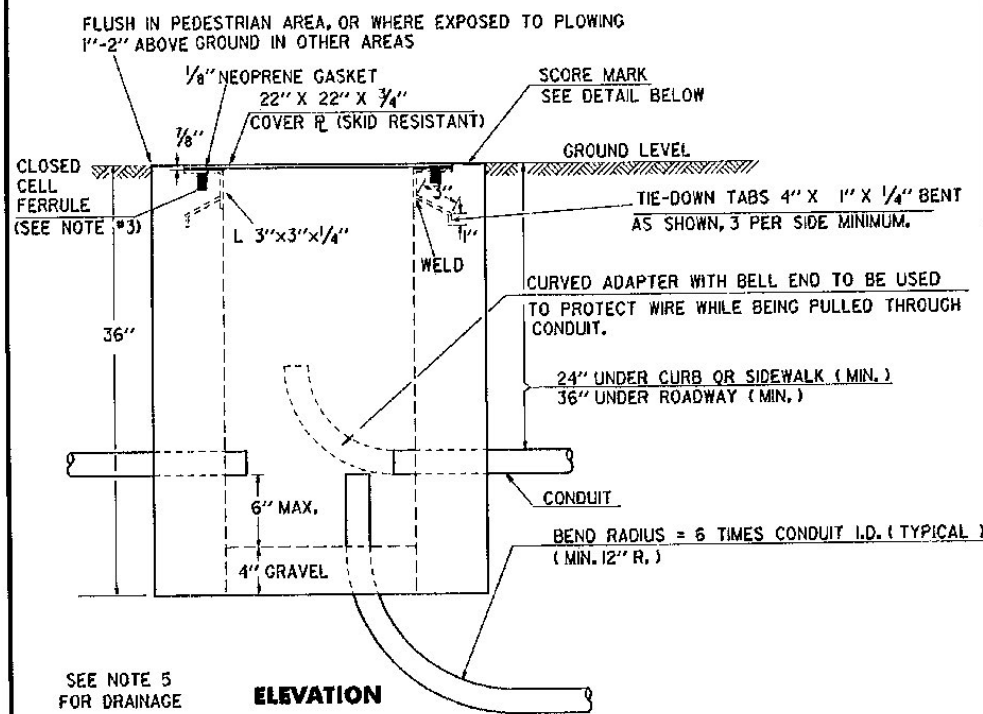
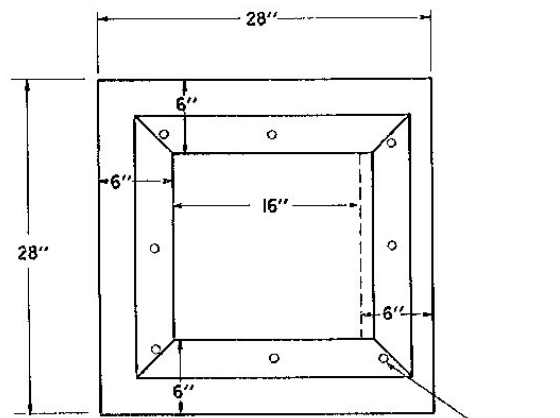


PLAN

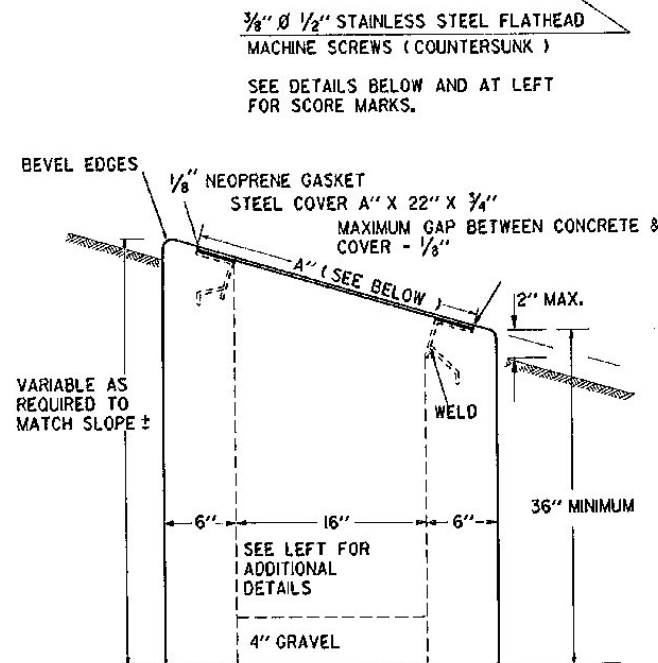


ELEVATION

CONCRETE PULLBOX INSTALLED IN LEVEL GROUND

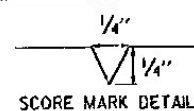


PLAN



ELEVATION

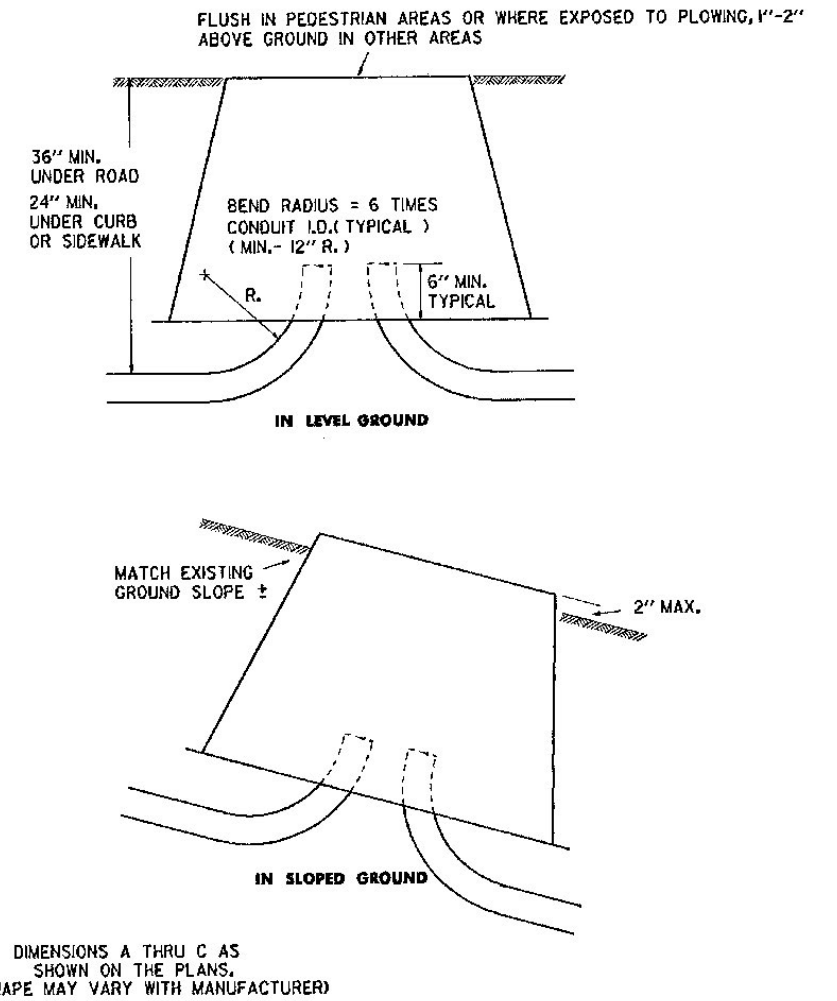
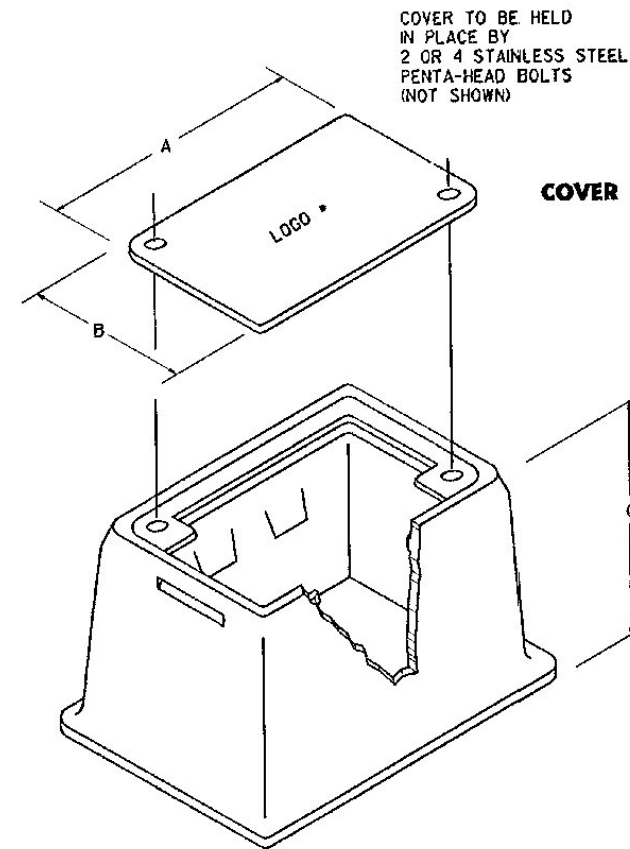
CONCRETE PULL BOX INSTALLED ON SLOPE



SCORE MARK DETAIL

- ALTERNATE LOGOS
TRAFFIC SIGNAL
RAILWAY SIGNAL
ELECTRIC
STREET LIGHTING
TRAFFIC CONTROL

LOGO APPLICATION BY MANUFACTURER WITH TEXT AS SHOWN ON PLANS.



JUNCTION BOX

JUNCTION BOX & PULL BOX NOTES

1. ALL PULL BOXES TO BE CONCRETE, CLASS B.
2. SCORE TOP OF PULL BOXES TO SHOW LOCATION OF CONDUIT (S).
3. FOR PULL BOXES PROVIDE CLOSED CELL FERRULES IN CONCRETE BELOW THREADED HOLES IN THE COVER FRAME TO PERMIT RETHRADING AT A FUTURE DATE. THE FERRULE SHALL BE WELDED TO THE 3" X 3" X 1/4" ANGLE.
4. CONDUIT SIZE-AS SHOWN ON THE PLANS.
5. EXCAVATION FOR THE UNITS, SHALL INCLUDE EXCAVATION OF AN AREA ONE FOOT OUTSIDE THE UNITS AND EXTENDING ONE FOOT BELOW THE FINISH GRADE OF THE BOTTOM OF THE UNITS. ONE FOOT OF GRANULAR MATERIAL SHALL BE PLACED IN THE EXCAVATED AREA PRIOR TO INSTALLATION. WHERE NECESSARY AND AT THE DISCRETION OF THE ENGINEER, A DRAINAGE CHANNEL SHALL BE PROVIDED FROM THE UNIT TO THE DITCH. PAYMENT SHALL BE SUBSIDIARY TO UNITS, IF ADDITIONAL DRAINAGE IS REQUIRED BY THE ENGINEER (FOR EXAMPLE, UNDERDRAIN), IT SHALL BE PAID AT UNIT PRICE FOR THAT ITEM.
6. ALL EXPOSED METAL HARDWARE, INCLUDING PULLBOX COVERS, FRAMES & ANGLES, SHALL BE GALVANIZED OR STAINLESS STEEL.
7. SEE STANDARD SPECIFICATIONS, FOR JUNCTION BOX MATERIAL REQUIREMENTS. THE COVER LOADING SHALL BE MODIFIED TO 15000 POUNDS OVER A 10" X 10" AREA.
8. ALL CONDUIT SHALL ENTER JUNCTION BOXES FROM THE BOTTOM, NOT THRU THE SIDE WALL.

REVISIONS AND CORRECTIONS
APRIL 1, 1989 - REVISED COVER DIMENSIONS

APPROVED

SEPT. 10, 1987
DATE

David W. Kelley
CHIEF ENGINEER
Arthur Chan
DIRECTOR OF PLANNING
AND PRECONSTRUCTION
Gordon B. MacArthur
TRAFFIC AND SAFETY ENGINEER

APPROVED FOR THIS PROJECT
AND/OR DESIGN IMPLEMENTATION.
FHWA FINAL APPROVAL PENDING.

PULL BOXES AND
JUNCTION BOXES



STANDARD
E-173