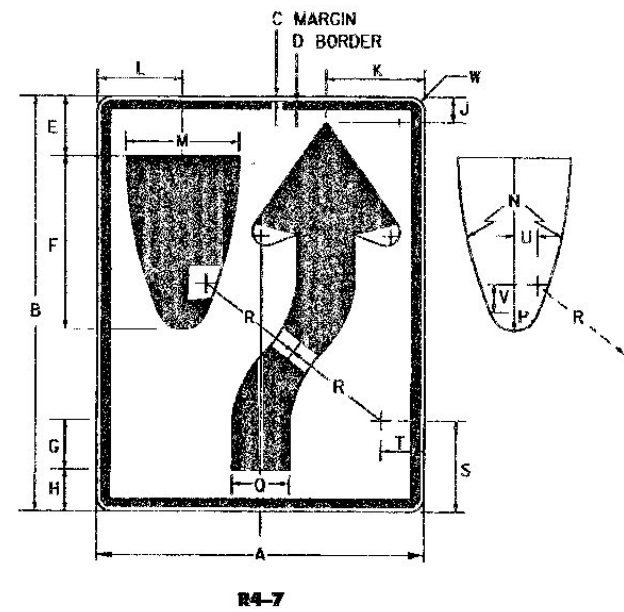
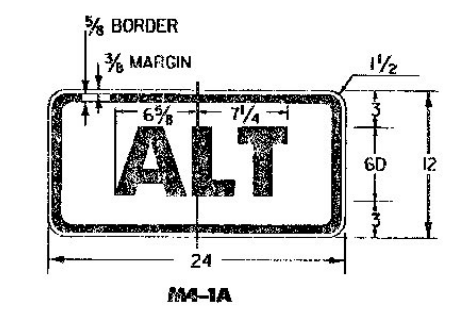
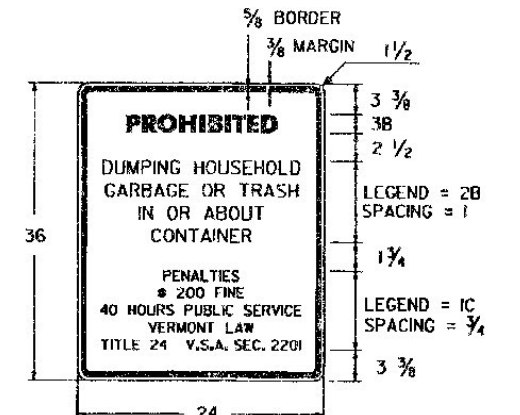
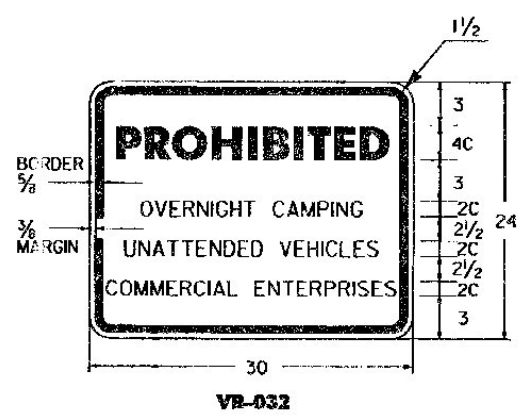


SIGN	DIMENSIONS (INCHES)																
	A	B	C	D	E	F	G	H	J	K	L	M	N	P	R	S	T
STD.	24	30	3/8	5/8	3	4B	3	3B	1 1/2	3B	2 1/2	9 1/2	10 5/8	10 3/8	6 5/8	8 5/8	1 1/2
EXP. WY.	48	60	3/4	1 1/4	6	7C	5	6B	4	6B	6	21	14 1/4	18 1/8	12 3/8	16 3/8	3

SIGN	DIMENSIONS (INCHES)															
	A	B	C	D	E	F	G	H	J	K	L	M	N	P		
MIN.	18	24	3/8	5/8	3 1/2	4C	2 1/2	5 5/8	5 5/8	5	4 3/4	5 3/8	5 1/2	1 1/2		
STD.	24	30	3/8	5/8	3 1/2	6C	2 1/2	8 5/8	8 5/8	7 1/2	7 3/8	8	8 1/4	1 1/2		
EXP. WY.	36	48	3/4	7/8	7	8C	5	10 5/8	11 1/4	10	9 1/2	10 5/8	11	2 1/4		
FWY.	48	60	3/4	1 1/4	8	10C	7	13 5/8	14 1/8	12 1/2	11 5/8	13 3/8	13 3/4	3		

DIMENSIONS (INCHES)					DIMENSIONS (INCHES)				
A	B	C	D	E	A	B	C	D	E
2	2 3/8	4 1/8	3/8	3/8	4 1/4	4 3/8	8 5/8	3/8	1/2
2 1/4	2 5/8	4 1/2	3/8	3/8	4 3/8	5	8 3/8	1/2	3/8
2 1/2	2 3/4	5 1/8	3/8	1/2	4 1/2	5 3/8	9 3/8	1/2	3/8
2 3/8	3	5 1/4	3/8	1/2	4 3/4	5 3/8	9 3/8	3/4	1
2 3/4	3 3/8	5 5/8	3/8	3/8	4 5/8	5 3/8	9 3/8	3/4	1
3	3 1/2	6 1/8	3/8	3/8	5	5 3/4	10 3/8	3/4	1
3 1/8	3 3/8	6 3/8	1/2	3/8	5 1/4	6	10 3/8	1/2	1 1/8
3 1/4	3 3/4	6 3/8	1/2	3/8	5 1/2	6 3/8	10 3/8	3/8	1 1/8
3 3/8	3 3/8	6 3/8	1/2	1/2	5 3/4	6 3/8	10 3/8	3/8	1 1/8
3 1/2	4	7 1/8	3/8	1/2	6	6 3/8	10 3/8	3/8	1 1/8
3 3/4	4 3/8	7 3/8	3/8	3/4	6 1/2	7 1/2	13 3/8	1	1 3/8
4	4 3/8	8 3/8	3/8	1/2	7	8	14 3/8	1 1/8	1 3/8
4 1/8	4 3/4	8 3/4	3/8	3/8	7 1/2	8 3/8	15 3/8	1 1/8	1 1/2
					8	9 3/8	16 3/4	1 1/4	1 3/8

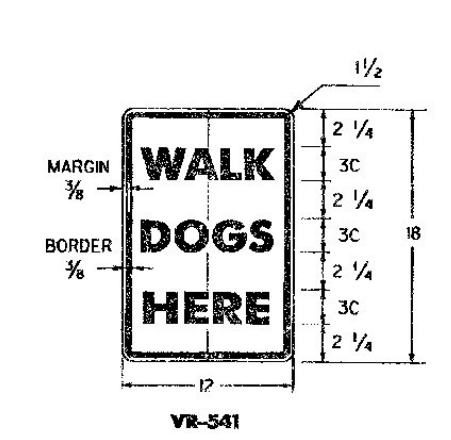
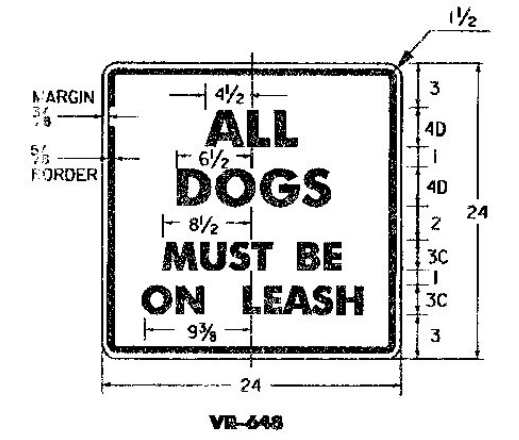


**GENERAL:**  
1. ALL DIMENSIONS IN INCHES.

**COLORS:**  
THE REGULATORY SIGNS SHOWN ON THIS SHEET SHALL HAVE BLACK TEXT ON REFLECTORIZED WHITE BACKGROUND, UNLESS OTHERWISE NOTED. THE COLORS SHALL CONFORM WITH THE COLORS ADOPTED BY THE AMERICAN ASSOCIATION OF STATE HIGHWAY AND TRANSPORTATION OFFICIALS AND APPROVED BY THE DEPARTMENT OF TRANSPORTATION, FEDERAL HIGHWAY ADMINISTRATION.

**MATERIALS:**  
THE SIGN BASE MATERIALS USED FOR REGULATORY SIGNS SHOWN ON THIS SHEET MAY BE ANY OF THE FOLLOWING OF THE MINIMUM THICKNESS NOTED.

24" X 12"	0.060"	0.080"	0.100"
24" X 24"	1/2"	1/2"	5/8"
24" X 30"	18 GAGE	16 GAGE	14 GAGE
12" X 18"			36" X 48"
18" X 24"			48" X 60"



SIGN	DIMENSIONS (INCHES)																				
	A	B	C	D	E	F	G	H	J	K	L	M	N	P	Q	R	S	T	U	V	W
MIN	18	24	3/8	5/8	3 3/8	9 3/8	1 1/8	2 1/4	1 3/8	5 1/2											
STD	24	30	3/8	5/8	4 1/2	12 1/2	2 1/2	3	1 3/8	7 3/8											
EXP. WY.	36	48	3/4	7/8	6 3/4	18 3/4	3 3/4	4 1/2	2 3/8	11 3/8											
FWY	48	60	3/4	1 1/4	9	25	5	6	3 3/4	14 3/8											
MIN	4 1/8	6	2 1/2	1 1/2	3	6 3/4	4 1/8	2 1/4	1 1/8	3/8	1 1/2										
STD	6 1/4	8	30	2	4	9	5 1/2	3	1 3/8	2 3/8	1 1/2										
EXP. WY.	9 3/8	12	45	3	6	13 1/2	8 1/4	4 1/2	2	2 3/4	2 1/4										
FWY	12 1/2	16	60	4	8	18	11	6	2 3/8	5	3										

**SPECIFICATIONS:**  
REGULATORY SIGNS SHALL MEET THE VERMONT STANDARD SPECIFICATIONS FOR TRAFFIC SIGNS.

**TEXT DESIGN:**  
LETTERS, DIGITS, ARROWS, SPACING AND TEXT DIMENSIONS SHALL CONFORM WITH THE "STANDARD ALPHABET FOR HIGHWAY SIGNS AND PAVEMENT MARKINGS" AND DESIGNS PRESCRIBED IN THE STANDARD HIGHWAY SIGNS AS SPECIFIED IN THE MANUAL ON UNIFORM TRAFFIC CONTROL DEVICES.

OTHER STDS.: NONE REQUIRED

STANDARD  
E-144

**REVISIONS AND CORRECTIONS**  
JAN. 23, 1989 - DATE OF ORIGINAL ISSUE  
SEPT. 20, 1995 - ADDED AND DELETED SIGN DETAILS.  
ADDED SIGN ID NUMBERS, MINOR NOTE REVISIONS

APPROVED FOR THIS PROJECT AND/OR DESIGN IMPLEMENTATION. FHWA FINAL APPROVAL PENDING.

**APPROVED**

*Stephen D. MacArthur*  
DIRECTOR OF ENGINEERING

*David A. Brown*  
TRAFFIC AND SAFETY ENGINEER

# REGULATORY SIGN DETAILS

/1raf/std/stdel44.dgn: stdel44.1