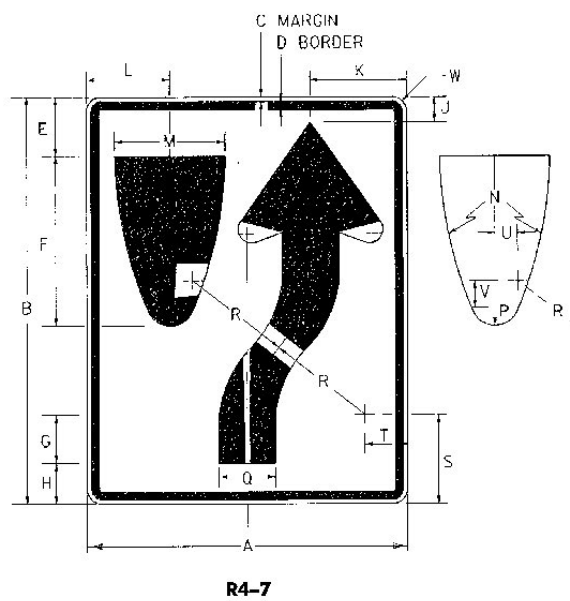
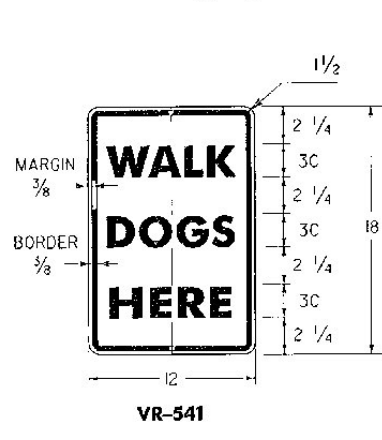
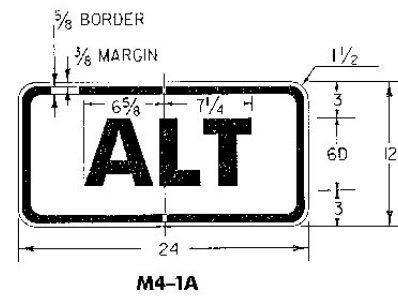
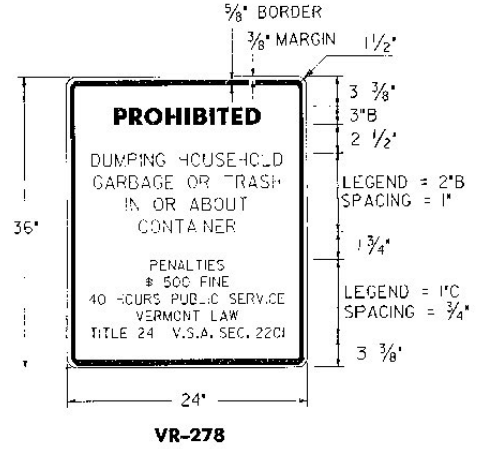
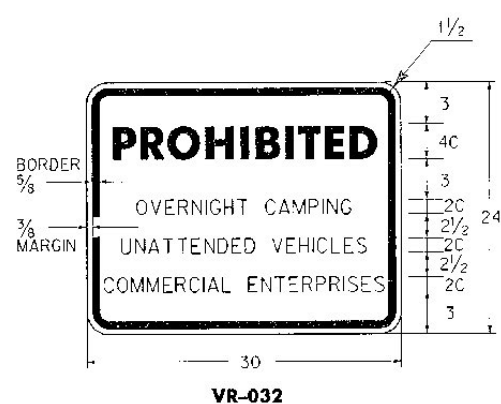


DIMENSIONS (INCHES)					DIMENSIONS (INCHES)				
A	B	C	D	E	A	B	C	D	E
2	2 1/16	4 1/16	5/16	3/8	4 1/4	4 7/8	8 5/8	5/8	1 1/8
2 1/4	2 5/8	4 1/2	3/8	7/16	4 3/8	5	8 1/8	1 1/16	7/8
2 1/2	2 7/8	5 1/16	3/8	1/2	4 1/2	5 5/16	9 1/8	1 1/8	7/8
2 5/8	3	5 1/4	3/8	1/2	4 3/4	5 1/16	9 5/8	3/4	1
2 3/4	3 1/8	5 5/16	3/8	1/2	4 7/8	5 5/8	9 7/8	3/4	1
3	3 1/2	6 1/8	3/8	1/2	5	5 3/4	10 1/8	3/4	1
3 1/8	3 5/8	6 5/8	1/2	5/8	5 1/4	6	10 3/8	1 1/16	1 1/8
3 1/4	3 3/4	6 5/8	1/2	5/8	5 1/2	6 3/8	11 1/8	7/8	1 1/8
3 5/8	3 3/4	6 1/16	1/2	5/8	5 3/4	6 5/8	11 1/8	7/8	1 1/8
3 1/2	4	7 1/8	3/8	1 1/8	6	6 5/8	12 5/8	1 1/8	1 3/16
3 3/4	4 5/16	7 5/8	3/8	1 1/8	6 1/2	7 1/2	13 3/16	1	1 5/16
4	4 5/8	8 1/8	3/8	1 1/8	7	8	14 3/16	1 1/16	1 3/8
4 1/8	4 3/4	8 1/4	3/8	1 1/8	7 1/2	8 5/8	15 3/16	1 1/8	1 1/2
4 1/2	4 3/4	8 1/4	3/8	1 1/8	8	9 3/16	16 1/4	1 1/4	1 5/8

SIGN	DIMENSIONS (INCHES)																
	A	B	C	D	E	F	G	H	J	K	L	M	N	P	R	S	T
STD.	24	30	3/8	5/8	3	4B	3	3B	1 1/2	3B	2 1/2	9 1/2	10 5/8	10 7/8	6 5/16	8 5/16	1 1/2
EXPWY. & FWY.	48	60	3/4	1 1/4	6	7C	5	6B	4	6B	6	21	14 1/4	18 1/16	12 3/16	16 3/16	3

SIGN	DIMENSIONS (INCHES)													
	A	B	C	D	E	F	G	H	J	K	L	M	N	P
MIN.	18	24	3/8	5/8	3 1/2	4C	2 1/2	5 7/16	5 5/8	5	4 3/4	5 5/8	5 1/2	1 1/2
STD.	24	30	3/8	5/8	3 1/2	6C	2 1/2	8 3/16	8 1/16	7 1/2	7 7/16	8	8 1/4	1 1/2
EXPWY.	36	48	3/8	7/8	7	8C	5	10 7/16	11 1/4	10	9 1/2	10 1/16	11	2 1/4
FWY.	48	60	3/4	1 1/4	8	10C	7	13 5/8	14 1/16	12 1/2	11 5/8	13 3/8	13 3/4	3



SIGN	DIMENSIONS (INCHES)										
	A	B	C	D	E	F	G	H	J	K	
MIN	18	24	3/8	5/8	3 3/8	9 3/8	1 7/8	2 1/4	1 3/8	5 1/2	
STD	24	30	3/8	5/8	4 1/2	12 1/2	2 1/2	3	1 7/8	7 3/8	
EXPWY	36	48	3/8	5/8	6 3/4	18 3/4	3 3/4	4 1/2	2 5/8	11 3/8	
FWY	48	60	3/4	1 1/4	9	25	5	6	3 3/4	14 3/16	
MIN	4 1/8	6	2 1/2	1 1/2	3	6 3/4	4 1/8	2 1/4	1 1/16	7/8	
STD	6 1/4	8	30	2	4	9	5 1/2	3	1 3/8	2 1/8	
EXPWY	9 3/8	12	45	3	6	13 1/2	8 1/4	4 1/2	2	2 3/4	
FWY	12 1/2	16	60	4	8	18	11	6	2 1/16	5	

GENERAL:

1. ALL DIMENSIONS IN INCHES.

COLORS:

THE REGULATORY SIGNS SHOWN ON THIS SHEET SHALL HAVE BLACK TEXT ON REFLECTORIZED WHITE BACKGROUND, UNLESS OTHERWISE NOTED. THE COLORS SHALL CONFORM WITH THE COLORS ADOPTED BY THE AMERICAN ASSOCIATION OF STATE HIGHWAY AND TRANSPORTATION OFFICIALS AND APPROVED BY THE DEPARTMENT OF TRANSPORTATION, FEDERAL HIGHWAY ADMINISTRATION.

MATERIALS:

THE SIGN BASE MATERIALS USED FOR REGULATORY SIGNS SHOWN ON THIS SHEET MAY BE ANY OF THE FOLLOWING OF THE MINIMUM THICKNESS NOTED.

24" X 12"	0.060"	0.080"	0.100"
24" X 24"	1/2"	1/2"	5/8"
24" X 30"	1/2"	1/2"	5/8"
24" X 36"	1/2"	1/2"	5/8"
18" X 18"	18 GAGE	16 GAGE	14 GAGE
18" X 24"	18 GAGE	16 GAGE	14 GAGE
30" X 24"	18 GAGE	16 GAGE	14 GAGE

FLAT SHEET ALUMINUM
HIGH DENSITY OVERLAID PLYWOOD
GALVANIZED FLAT SHEET STEEL

THE REFLECTIVE MATERIAL FOR GROUND MOUNTED SIGNS SHALL BE AASHTO TYPE II OR III WHITE REFLECTIVE SHEETING APPLIED TO THE ENTIRE BACKGROUND OF THE SIGN. WHEN MOUNTED OVERHEAD, ALL SIGNS SHALL HAVE ENCAPSULATED LENS REFLECTIVE SHEETING APPLIED TO THE ENTIRE BACKGROUND OF THE SIGN. THE TEXT OF THE SIGNS MAY BE LETTERING FILM, SILK SCREENED OR HAND PAINTED. HAND PAINTING MUST BE COMPARABLE IN QUALITY TO THE RESULTS OBTAINED BY SILK SCREENING.

SPECIFICATIONS:

REGULATORY SIGNS SHALL MEET THE VERMONT STANDARD SPECIFICATIONS FOR TRAFFIC SIGNS.

TEXT DESIGN:

LETTERS, DIGITS, ARROWS, SPACING AND TEXT DIMENSIONS SHALL CONFORM WITH THE STANDARD ALPHABET FOR HIGHWAY SIGNS AND PAVEMENT MARKINGS AND DESIGNS PRESCRIBED IN THE STANDARD HIGHWAY SIGNS AS SPECIFIED IN THE MANUAL ON UNIFORM TRAFFIC CONTROL DEVICES.

OTHER STDS.: NONE REQUIRED

REVISIONS AND CORRECTIONS

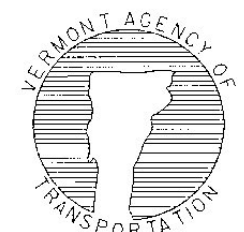
JAN. 23, 1989 - DATE OF ORIGINAL ISSUE
SEP. 1, 20, 1995 - ADDED AND DELETED SIGN DETAILS, ADDED SIGN ID NUMBERS, MINOR NOTE REVISIONS
FEB. 2, 1998 - REMOVED VR-023, REPLACED WITH VR-278

APPROVED

[Signature]
DIRECTOR OF PROJECT DEVELOPMENT

[Signature]
DIRECTOR OF CONSTRUCTION AND MAINTENANCE

REGULATORY SIGN
DETAILS



STANDARD
E-144

/traf/stc/stdel44.cgr: stde.44.