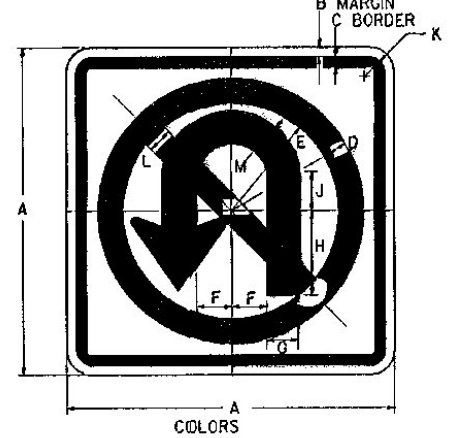


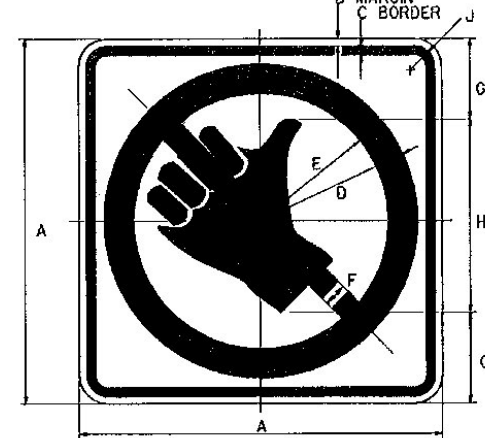
CIRCLE AND DIAGONAL - RED (REFL - RURAL)
SYMBOL AND BORDER - BLACK (NON - REFL)
BACKGROUND - WHITE (REFL - RURAL)

| SIGN | DIMENSIONS (INCHES) | | | | | | | | | | | |
|---------------------|---------------------|-----|-----|----|--------|--------|--------|---|-------|---|---|---|
| | A | B | C | D | E | F | G | H | J | K | L | M |
| URBAN MIN. AND STD. | 12 | 3/8 | 3/8 | 3 | 6E(M) | 4 1/2 | 3 3/8 | 1 | 1/2 | | | |
| RURAL MIN. AND STD. | 24 | 3/8 | 3/8 | 6 | 12E(M) | 10 1/2 | 8 1/2 | 2 | 1 1/2 | | | |
| EXPWY. | 36 | 3/8 | 3/8 | 9 | 18E(M) | 15 3/4 | 12 3/4 | 3 | 2 1/4 | | | |
| P.WY. | 48 | 3/4 | 1/4 | 12 | 24E(M) | 21 | 17 | 4 | 3 | | | |



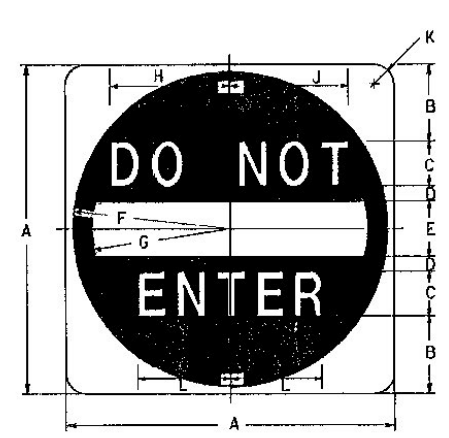
CIRCLE AND DIAGONAL - RED (REFL)
ARROW AND BORDER - BLACK (NON - REFL)
BACKGROUND - WHITE (REFL)

| SIGN | DIMENSIONS (INCHES) | | | | | | | | | | | |
|---------------|---------------------|-----|-------|--------|--------|-------|-------|-------|-------|-------|-------|-------|
| | A | B | C | D | E | F | G | H | J | K | L | M |
| MIN. AND STD. | 24 | 3/8 | 3/8 | 10 1/2 | 8 1/2 | 2 1/2 | 2 1/2 | 6 | 2 1/4 | 1 1/2 | 2 | 5 |
| SPECIAL | 30 | 1/2 | 3/4 | 13 3/8 | 10 3/8 | 3 3/8 | 3 3/8 | 7 1/2 | 2 3/8 | 1 3/8 | 2 1/2 | 6 1/4 |
| EXPWY. | 36 | 3/8 | 3/8 | 15 3/4 | 12 3/4 | 3 3/4 | 3 3/4 | 9 | 3 3/8 | 2 1/4 | 3 | 7 1/2 |
| SPECIAL | 48 | 3/4 | 1 1/4 | 21 | 17 | 5 | 5 | 12 | 4 1/2 | 3 | 4 | 10 |



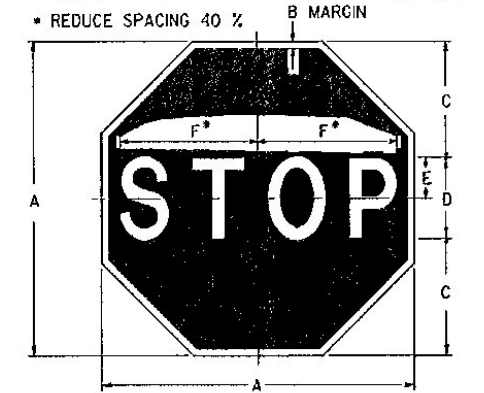
CIRCLE AND DIAGONAL - RED (REFL)
SYMBOL AND BORDER - BLACK (NON - REFL)
BACKGROUND - WHITE (REFL)

| SIGN | DIMENSIONS (INCHES) | | | | | | | | | | | |
|------|---------------------|-----|-----|--------|-------|-------|-------|--------|-------|---|---|---|
| | A | B | C | D | E | F | G | H | J | K | L | M |
| MIN. | 18 | 3/8 | 3/8 | 7 7/8 | 6 3/8 | 1 1/2 | 3 3/4 | 10 1/2 | 1 1/2 | | | |
| STD. | 24 | 3/8 | 3/8 | 10 1/2 | 8 1/2 | 2 | 5 | 14 | 1 1/2 | | | |



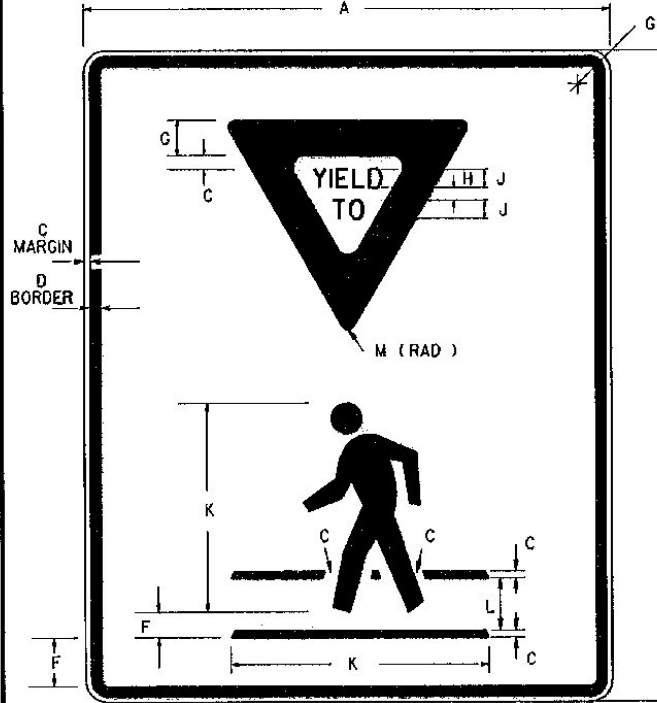
CIRCLE AND DIAGONAL - RED (REFL)
SYMBOL AND BORDER - BLACK (NON - REFL)
BACKGROUND - WHITE (REFL)

| SIGN | DIMENSIONS (INCHES) | | | | | | | | | | | |
|---------------|---------------------|-------|----|-------|---|--------|--------|--------|--------|-------|--------|---|
| | A | B | C | D | E | F | G | H | J | K | L | M |
| MIN. AND STD. | 30 | 6 1/2 | 40 | 2 | 5 | 14 1/2 | 12 1/2 | 9 3/4 | 10 | 1 7/8 | 7 7/8 | |
| EXPWY. | 36 | 7 1/2 | 50 | 2 1/2 | 6 | 17 1/2 | 15 | 12 | 12 3/8 | 2 1/4 | 9 3/8 | |
| SPECIAL | 48 | 11 | 60 | 3 | 8 | 23 1/2 | 20 | 14 1/2 | 15 | 3 | 11 3/4 | |



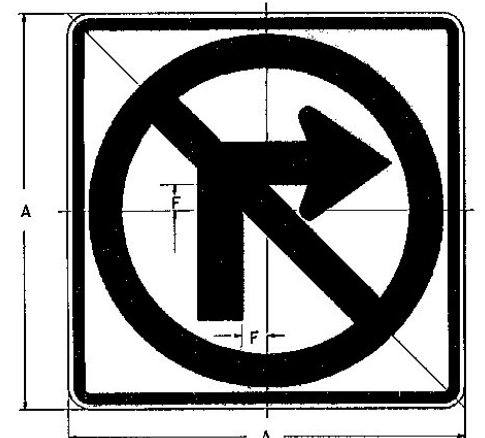
REduce SPACING 40 %
CIRCLE AND DIAGONAL - RED (REFL)
LEGEND - WHITE (REFL)
BACKGROUND - RED (REFL)
ENCAPSULATED LENS

| SIGN | DIMENSIONS (INCHES) | | | | | | | | | | | |
|---------|---------------------|-------|----|-----|---|--------|---|---|---|---|---|---|
| | A | B | C | D | E | F | G | H | J | K | L | M |
| BIKE | 18 | 3/8 | 6 | 6C | 3 | 7 3/4 | | | | | | |
| MIN. | 24 | 3/8 | 8 | 8C | 4 | 10 | | | | | | |
| STD. | 30 | 3/4 | 10 | 10C | 5 | 12 1/2 | | | | | | |
| EXPWY. | 36 | 3/8 | 12 | 12C | 6 | 15 | | | | | | |
| SPECIAL | 48 | 1 1/4 | 16 | 16C | 8 | 20 | | | | | | |

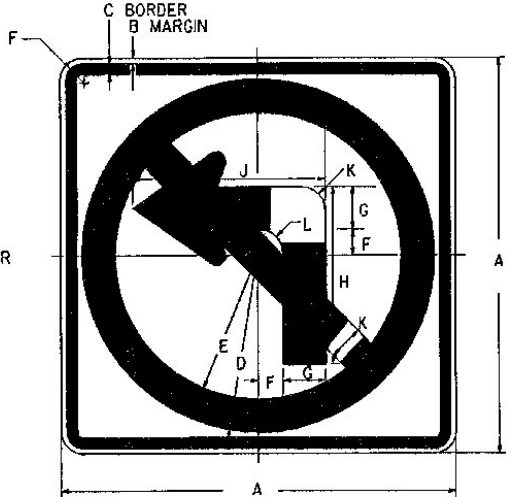


CIRCLE AND DIAGONAL - RED (REFL)
SYMBOL AND BORDER - BLACK (NON - REFL)
BACKGROUND - WHITE (REFL)

| SIGN | DIMENSIONS (INCHES) | | | | | | | | | | | |
|-------|---------------------|----|-----|-------|--------|-------|-------|-----|-------|--------|-------|-------|
| | A | B | C | D | E | F | G | H | J | K | L | M |
| SMALL | 18 | 24 | 3/8 | 3/8 | 11 | 3/4 | 1 1/8 | 3/8 | 1 1/2 | 9 | 1 3/4 | 1 1/4 |
| LARGE | 24 | 30 | 1/2 | 1 1/8 | 13 3/4 | 1 1/8 | 1 1/2 | 3/4 | 2 | 11 1/4 | 2 3/8 | 3/8 |

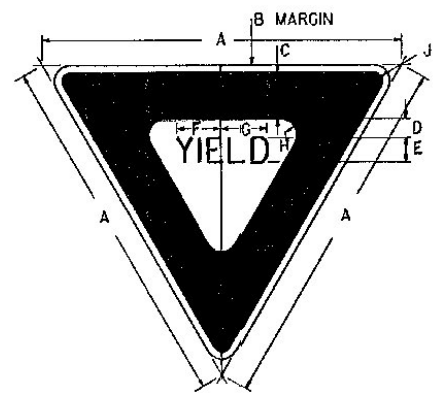


DETAILS SAME FOR EACH SIGN



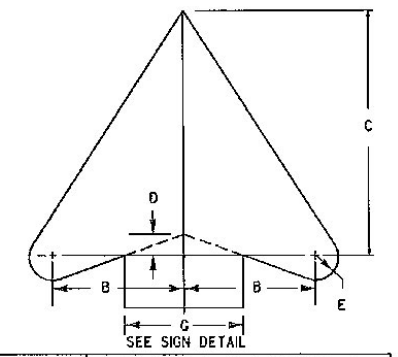
CIRCLE AND DIAGONAL - RED (REFL)
ARROW AND BORDER - BLACK (NON - REFL)
BACKGROUND - WHITE (REFL)

| SIGN | DIMENSIONS (INCHES) | | | | | | | | | | | |
|---------------|---------------------|-----|-------|--------|--------|-------|-------|--------|-------|-------|-------|---|
| | A | B | C | D | E | F | G | H | J | K | L | M |
| MIN. AND STD. | 24 | 3/8 | 3/8 | 10 1/2 | 8 1/2 | 1 1/2 | 2 1/2 | 10 1/2 | 1 1/2 | 2 | 1 1/2 | |
| SPECIAL | 30 | 1/2 | 3/4 | 13 3/8 | 10 3/8 | 1 3/8 | 3 3/8 | 13 3/8 | 1 3/8 | 2 1/2 | 3 3/8 | |
| EXPWY. | 36 | 3/8 | 3/8 | 15 3/4 | 12 3/4 | 2 1/4 | 3 3/4 | 15 3/4 | 1 7/8 | 3 | 3 3/4 | |
| SPECIAL | 48 | 3/4 | 1 1/4 | 21 | 17 | 3 | 5 | 21 | 2 3/4 | 4 | 1 | |



CIRCLE AND DIAGONAL - RED (REFL)
SYMBOL AND BORDER - BLACK (NON - REFL)
BACKGROUND - WHITE (REFL)
ENCAPSULATED LENS

| SIGN | DIMENSIONS (INCHES) | | | | | | | | | | | |
|---------|---------------------|-------|---|-------|-------|-------|-------|-------|-------|---|---|---|
| | A | B | C | D | E | F | G | H | J | K | L | M |
| BIKE | 24 | 3/8 | 3 | 1 1/2 | 2C | 3 1/4 | 3 | 7/8 | 1 1/2 | | | |
| MIN. | 30 | 3/8 | 4 | 1 3/4 | 2 1/2 | 3 3/8 | 3 3/8 | 7/8 | 1 1/2 | | | |
| STD. | 36 | 3/4 | 5 | 2 | 3C | 4 1/8 | 4 3/8 | 1 1/4 | 2 | | | |
| EXPWY. | 48 | 1 | 6 | 2 3/4 | 4C | 6 1/4 | 5 3/8 | 2 | 3 | | | |
| SPECIAL | 60 | 1 1/2 | 8 | 3 1/2 | 5C | 7 7/8 | 7 1/4 | 2 1/2 | 4 | | | |



| ARROW HEAD | DIMENSIONS (INCHES) | | | | |
|---------------|---------------------|-------|--------|-----|-------|
| | SIZE | B | C | D | E |
| MIN. AND STD. | 24x24 | 2 7/8 | 5 1/8 | 3/8 | 1 1/2 |
| SPECIAL | 30x30 | 3 3/8 | 6 3/8 | 1/2 | 3/8 |
| EXPWY. | 36x36 | 4 1/8 | 7 3/8 | 3/8 | 3/4 |
| SPECIAL | 48x48 | 5 3/4 | 10 1/8 | 3/4 | 1 |

COLORS:
THE REGULATORY SIGNS SHOWN ON THIS SHEET SHALL BE AS DETAILED FOR EACH SIGN. THE COLORS SHALL CONFORM WITH THE COLORS ADOPTED BY THE AMERICAN ASSOCIATION OF STATE HIGHWAY AND TRANSPORTATION OFFICIALS AND APPROVED BY THE DEPARTMENT OF TRANSPORTATION, FEDERAL HIGHWAY ADMINISTRATION.

MATERIALS:
THE SIGN BASE MATERIALS USED FOR THE REGULATORY SIGNS SHOWN ON THIS SHEET MAY BE ANY FOLLOWING OF THE MINIMUM THICKNESS NOTED.

| | | |
|-----------|-----------|-----------|
| 24" x 24" | 36" x 24" | 48" x 24" |
| 24" x 30" | 36" x 36" | 48" x 36" |
| 30" x 30" | 36" x 30" | 48" x 48" |
| 30" x 36" | 36" x 36" | 48" x 48" |
| 36" x 36" | 36" x 36" | 48" x 48" |
| 36" x 48" | 36" x 48" | 48" x 48" |
| 48" x 48" | 48" x 48" | 48" x 48" |

FLAT SHEET ALUMINUM
HIGH DENSITY OVERLAP PLYWOOD
GALVANIZED FLAT SHEET STEEL

ENCAPSULATED LENS REFLECTIVE SHEETING SHALL BE USED FOR THE SIGN BACKGROUND WHERE NOTED.

THE BLACK PORTIONS OF THE SIGNS MAY BE LETTERING FILM, SILK SCREENING OR HAND PAINTED. WHEN HAND PAINTED, POOR WORKMANSHIP SHALL BE CAUSE FOR REJECTION.

SPECIFICATIONS:
REGULATORY SIGNS SHALL MEET THE VERMONT STANDARD SPECIFICATIONS FOR "TRAFFIC SIGNS".

TEXT DESIGN:
LETTERS, DIGITS, ARROW, SPACINGS AND TEXT DIMENSIONS SHALL CONFORM WITH THE STANDARD ALPHABETS AND DESIGNS PRESCRIBED IN THE MANUAL ON UNIFORM TRAFFIC CONTROL DEVICES.

REVISIONS AND CORRECTIONS

APPROVED

OCT. 30, 1987
DATE
David B. Kelley
CHIEF ENGINEER
Arthur Jones
DIRECTOR OF PLANNING
AND PRE-CONSTRUCTION
Charles B. MacArthur
TRAFFIC AND SAFETY ENGINEER

REGULATORY SIGN DETAILS



STANDARD E-143