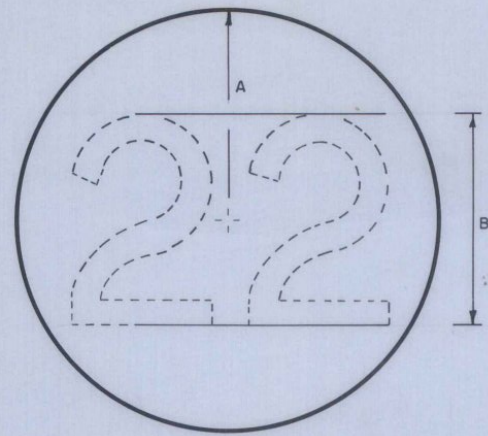
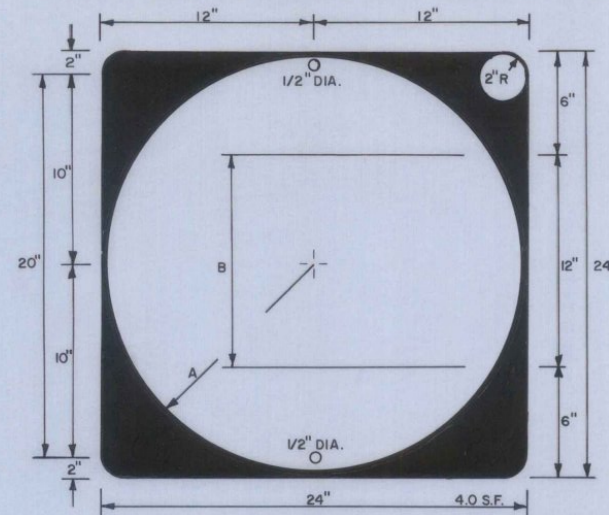


STATE ROUTE MARKER
FOR USE ON INTERSTATE GUIDE SIGNS



ROUTE NUMBER	A	B	SERIES
1 DIGIT	18"	18"	E
2 DIGITS	18"	18"	D
3 DIGITS	18"	18"	B

STATE ROUTE MARKER
FOR INDEPENDANT USE WITH MARKER ASSEMBLIES



ROUTE NUMBER	A	B	SERIES
1 DIGIT	12"	12"	E
2 DIGITS	12"	12"	D
3 DIGITS	12"	12"	B

MATERIALS

The sign base material may be any of the following, of the minimum thickness noted:

FLAT SHEET ALUMINUM	
Less than 24" x 24"	- 0.060"
24" x 24"	- 0.080"
HIGH DENSITY OVERLAID PLYWOOD	
Less than 24" x 24"	- 3/8"
24" x 24"	- 1/2"
GALVANIZED FLAT SHEET STEEL	
Less than 24" x 24"	- 18 gage
24" x 24"	- 16 gage

Route markers to be mounted on interstate guide signs, shall be of a thickness as for signs less than 24" x 24"

The reflective material shall be white or silver reflective sheeting, applied to the entire background. The texts may be lettering film, silk screened, or hand painted.

COLORS

State route markers and auxiliary markers shall have black texts on reflectorized white or silver backgrounds.

LETTERING

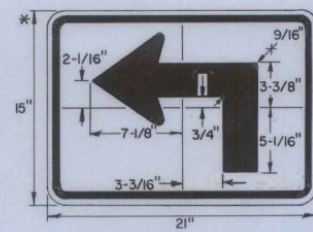
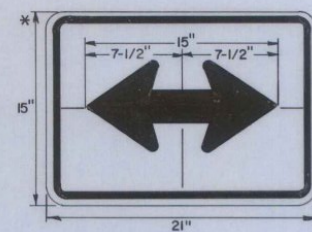
Letters and digits shall conform with the standard alphabets for highway signs approved by the National Joint Committee on Uniform Traffic Control Devices.

SPECIFICATIONS

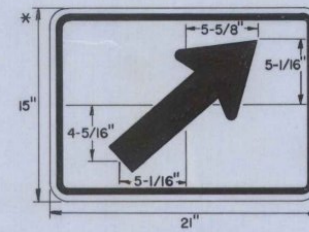
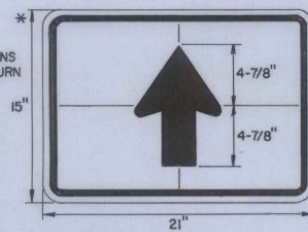
State route markers and auxiliary route markers shall meet the standard state specifications for "Traffic Signs,"

DESIGNS

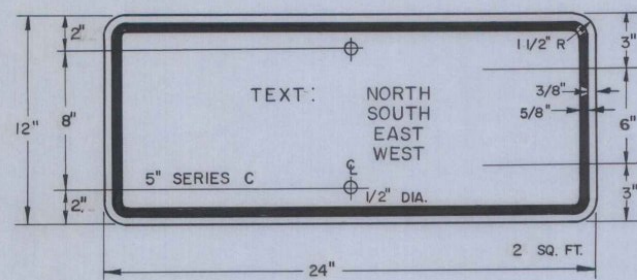
The designs of state route markers and auxiliary markers shall conform with the requirements set forth in the Manual on Uniform Traffic Control Devices prepared by the National Joint Committee on Traffic Control Devices



* OTHER DIMENSIONS SEE ADVANCE TURN ARROW.



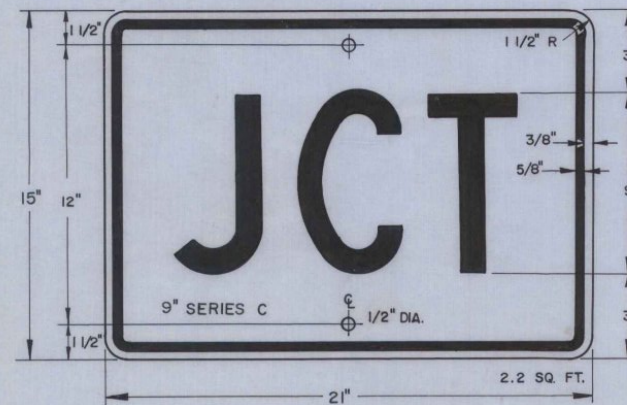
CARDINAL DIRECTION MARKER



TRAILBLAZER

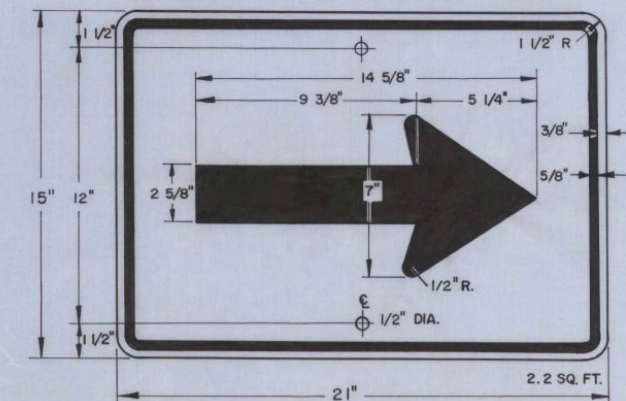


JUNCTION MARKER



DIRECTION ARROW OR
ADVANCE TURN ARROW

(SEE STANDARD E-11 FOR ARROW DESIGN DETAIL)



REVISIONS AND CORRECTIONS

MAY 3, 1982 - ADDITIONAL ADVANCE TURN ARROWS ADDED, BORDER DIMENSION CHANGED ON GUIDE SIGNS.

APPROVED:

DATE Dec. 29, 1971

R. H. Arnold
CHIEF ENGINEER

E. W. Stickney
ASST. CHIEF ENGINEER

G. M. Lane
HIGHWAY ENGINEER

DRAWN A.K.C.
TRACED A.J.A.

TRAFFIC SIGNS (GUIDE SIGNS)
STATE ROUTE MARKERS
AND AUXILIARY MARKERS



STANDARD
E-13