

MILEMARKER INFORMATION

IN ORDER TO PROVIDE FOR AN ACCURATE SYSTEM OF LOCATION, MILEMARKERS ARE INSTALLED ALONG U.S. AND STATE HIGHWAYS, CLASS I TOWN HIGHWAYS, FEDERAL AID PRIMARY AND FEDERAL AID SECONDARY HIGHWAYS.

THE FOLLOWING INFORMATION IS PROVIDED FOR INSTALLATION GUIDANCE.

MILEMARKERS WILL NORMALLY BE INSTALLED AT EACH 0.20 MI. INTERVAL, ALTERNATING FROM ONE SIDE OF THE ROAD TO THE OTHER, THUS HAVING A SIGN FACING TRAFFIC EACH 0.40 MILE. A MILEMARKER WILL ALSO BE INSTALLED AT EACH INTERSECTION, ON THE POST WITH THE STOP SIGN. (MILEMARKER TO BE PLACED PARALLEL TO MAINLINE VISIBLE TO TRAFFIC.) ANY MILEMARKER LOCATION FALLING WITHIN 0.05 MI. OF AN INTERSECTION WILL BE OMITTED. IF A NORMAL MILEMARKER LOCATION FALLS WITHIN 50' OF AN EXISTING HIGHWAY SIGN, THE MILEMARKER WILL BE INSTALLED ON THE EXISTING POST. WHEN NORMAL LOCATION OF A MILEMARKER IS UNDESIRABLE, I.E. ON A LAWN, DRIVEWAY, LEDGE, ETC., AN ATTEMPT WILL BE MADE TO LOCATE IT ACROSS THE ROAD. IF NO SUITABLE LOCATION CAN BE FOUND WITHIN 50' OF THE NORMAL LOCATION ON EITHER SIDE OF THE ROAD, IT MAY BE OMITTED. IF A NORMAL MILEMARKER LOCATION FALLS WITHIN 50 FT. OF A POWER POLE, MAIL BOX OR OTHER OBJECT WHICH WILL GIVE IT PARTIAL PROTECTION, LOCATE IT NEAR OR AT SUCH PROTECTIVE FEATURE.

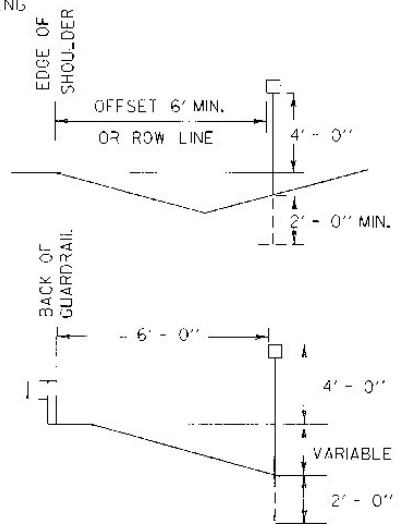
ON CLASS I TOWN HIGHWAYS (CITIES, VILLAGES) OR OTHER CONGESTED AREAS, MILEMARKERS WILL ONLY BE INSTALLED ON EXISTING SIGN POSTS AND WILL CARRY THE ACTUAL MILEAGE TO THAT LOCATION. A MILEMARKER EACH 0.10 +/- MILE IS DESIRABLE THROUGH SUCH AREAS.

THE TOP ROW OF NUMERALS INDICATE THE ROUTE NUMBER, THESE INCLUDE:

- 1) THE STATE ROUTE NUMBER, THE FOURTH NUMERAL OF WHICH BEING THE LETTER DESIGNATION, THUS, U.S. 2 WOULD BE 002D, ROUTE 100B WOULD BE 100Z, ETC.
- 2) A 9000 SERIES NUMBER FOR NAMED STATE HIGHWAYS, CLASS I AND II TOWN HIGHWAYS AS LISTED ON THIS SHEET.
- 3) FEDERAL AID SECONDARY ROUTES ON TOWN HIGHWAYS USE F.A.S. ROUTE DESIGNATION NUMBERS, AS SHOWN ON THE PLANNING DIVISIONS MAP TITLED "FEDERAL AID SYSTEMS ON VERMONT HIGHWAYS".

THE SECOND ROW OF NUMERALS INDICATE THE COUNTY AND TOWN. THE COUNTY IS INDICATED IN THE FIRST TWO NUMBERS, CODED ALPHABETICALLY. THE TOWN IS INDICATED IN THE LAST TWO NUMBERS, CODED ALPHABETICALLY WITHIN THE COUNTY, THUS WATERBURY, THE EIGHTEENTH TOWN ALPHABETICALLY. IN WASHINGTON COUNTY, THE TWELFTH COUNTY ALPHABETICALLY, WOULD BE INDICATED AS 1218 ON THE MARKER.

THE BOTTOM ROW OF NUMERALS INDICATES THE MILEAGE IN HUNDREDTHS FROM THE TOWN LINE OR BEGINNING OF A ROUTE (TRAVELING SOUTH TO NORTH OR WEST TO EAST). THE ROUTE DIRECTION IS ESTABLISHED USING THE AGENCY'S ROUTE LOG AND PROGRESS CHARTS AS A GUIDE.



COUNTY/TOWN DESIGNATIONS

1 - ADDISON 0101 ADDISON 0102 BRIDPORT 0103 BRISTOL 0104 CORNWALL 0105 FERRISBURG 0106 GOSHEN 0107 GRANVILLE 0108 HANCOCK 0109 LEICESTER 0110 LINCOLN 0111 MIDDLEBURY 0112 MONKTON 0113 NEW HAVEN 0114 ORWELL 0115 PANTON 0116 RIPTON 0117 SALISBURY 0118 SHOREHAM 0119 STARKSBORO 0120 VERGENNES 0121 WALTHAM 0122 WEYBRIDGE 0123 WHITING	2 - BENNINGTON 0201 ARLINGTON 0202 BENNINGTON 0203 DORSET 0204 CLASTENBURY 0205 LANGGROVE 0206 MANCHESTER 0207 PERU 0208 POWNAL 0209 READSBORO 0210 LINCOLN 0211 SANDGATE 0212 SEARSBURG 0213 SHAFTSBURY 0214 ORWELL 0215 SUNDERLAND 0216 WINFALL 0217 WOODFORD	3 - CALEDONIA 0301 BARNE 0302 BURKE 0303 DANVILLE 0304 GROTON 0305 HARDWICK 0306 KIRBY 0307 LYNDON 0308 NEWARK 0309 PEACHAM 0310 RUPERT 0311 ST. JOHNSBURY 0312 SHEFFIELD 0313 STANNARD 0314 SUTTON 0315 WALDEN 0316 WATERFORD 0317 WHEELLOCK	4 - CHITTENDEN 0401 BOLTON 0402 BUEL'S GORE 0403 BURLINGTON 0404 CHARLOTTE 0405 COLCHESTER 0406 ESSEX 0407 HINESBURG 0408 HUNTINGTON 0409 JERICHO 0410 MILTON 0411 RICHMOND 0412 ST. GEORGE 0413 SHELBURNE 0414 SO. BURLINGTON 0415 UNDERHILL 0416 WESTFORD 0417 WILLISTON 0418 WINOOSKI	5 - ESSEX 0501 AVERILL 0502 AVERY'S GORE 0503 BLOOMFIELD 0504 BRIGHTON 0505 BRUNSWICK 0506 CANAAN 0507 CONCORD 0508 EAST HAVEN 0509 FERDINAND 0510 GRANBY 0511 GUILDHALL 0512 LEMINGTON 0513 LEWIS 0514 LUNENBURG 0515 MAIDSTONE 0516 NORTON 0517 VICTORY 0518 WARREN'S GRANT 0519 WARREN'S GORE	6 - FRANKLIN 0601 BAKERSFIELD 0602 BERKSHIRE 0603 ENOSBURG 0604 FAIRFAX 0605 FAIRFIELD 0606 FLETCHER 0607 FRANKLIN 0608 GEORGIA 0609 HIGHGATE 0610 MONTGOMERY 0611 RICHFORD 0612 ST. ALBANS CITY 0613 ST. ALBANS TOWN 0614 SHELTON 0615 SWANTON	7 - GRAND ISLE 0701 ALBURG 0702 GRAND ISLE 0703 ISLE LA MOTTE 0704 NORTH HERO 0705 SOUTH HERO
--	---	---	---	--	---	---

8 - LAMOILLE 0801 BELVIDERE 0802 CAMBRIDGE 0803 EEN 0804 ELMORE 0805 HYDE PARK 0806 JOHNSON 0807 MORRISTOWN 0808 MORRISVILLE 0809 SIOWE 0809 WATERVILLE 0810 WOLCOTT	9 - ORANGE 0901 BRADFORD 0902 BRAINTREE 0903 BROOKFIELD 0904 CHELSEA 0905 CORINTH 0906 FAIRLEE 0907 NEWBURY 0908 ORANGE 0909 RANDOLPH 0910 STRAFFORD 0911 THETFORD 0912 TOPSHAM 0913 TUNBRIDGE 0914 VERSHIRE 0915 WASHINGTON 0916 WEST FAIRLEE 0917 WILLIAMSTOWN	10 - ORLEANS 1001 ALBANY 1002 BARTON 1003 BROWNINGTON 1004 CHARLESTON 1005 COVENTRY 1006 CRAFTSBURY 1007 DERBY 1008 DEVER 1009 GREENSBORO 1010 HOLLAND 1011 IRASBURG 1012 JAY 1013 LOWELL 1014 MOHAWK 1015 NEWPORT CITY 1016 NEWPORT TOWN 1017 TROY 1018 WESTFIELD 1019 WESTMORE	11 - RUTLAND 1101 BENSON 1102 BRANDON 1103 CASTLETON 1104 CHITTENDEN 1105 CLARENDON 1106 DANRY 1107 FAIR HAVEN 1108 HUBBARDTON 1109 IRA 1110 MENDON 1111 MIDDLETOWN 1112 MT. HOLLY 1113 MT. TABOR 1114 PAWLET 1115 PITTSFIELD 1116 PITTSFORD 1117 POULTNEY 1118 PROCTOR 1119 RUTLAND CITY 1120 RUTLAND TOWN 1121 SHERBOURNE 1122 SHREWSBURY 1123 SUDBURY 1124 TIRNHOUTH 1125 WALLINGFORD 1126 WILLS 1127 WEST HAVEN 1128 WEST RUTLAND	12 - WASHINGTON 1201 BARRE CITY 1202 BARRE TOWN 1203 BERLIN 1204 CABOT 1205 CALAIS 1206 DANBURY 1207 E. MONTPELIER 1208 FAYSTON 1209 MARSHFIELD 1210 MIDDLESEX 1211 MONTPELIER 1212 MONTPELIER 1213 NORTHFIELD 1214 PLAINFIELD 1215 ROXBURY 1216 WAITSFIELD 1217 WARREN 1218 WATERBURY 1219 WOODBURY 1220 WORCESTER	13 - WINDHAM 1301 ATHENS 1302 BRAILLOBORO 1303 BROOKLINE 1304 JOVER 1305 JUMSTON 1306 SRAFTON 1307 GUILFORD 1308 HALIFAX 1309 JAMAICA 1310 LONDONDERRY 1311 MARLBORO 1312 NEWFANE 1313 PUTNEY 1314 ROCKINGHAM 1315 SOMERSET 1316 STRATTON 1317 TOWNSEND 1318 VERNON 1319 WARDSBORO 1320 WESTMINSTER 1321 WHITTINGHAM 1322 WILMINGTON 1323 WINDHAM	14 - WINDSOR 1401 ANDOVER 1402 BALTIMORE 1403 BARNARD 1404 BETHEL 1405 BRIDGEWATER 1406 CAVENDISH 1407 CHESTER 1408 HARTFORD 1409 HARTLAND 1410 HADLOW 1411 NORWICH 1412 PLYMOUTH 1413 POMFRET 1414 READING 1415 ROCHESTER 1416 ROYALTON 1417 SHARON 1418 SPRINGFIELD 1419 STOCKBRIDGE 1420 WEATHERSFIELD 1421 WESTON 1422 WEST WINDSOR 1423 WINDSOR 1424 WOODSTOCK
--	--	--	--	--	---	--

CLASS I AND II TOWN HIGHWAYS

ROUTE CODE NUMBER	AND NAMED STATE HIGHWAY
9020	BARNET STATE HIGHWAY
9025	BENNINGTON NORTH STATE HIGHWAY
9030	BERLIN STATE HIGHWAY
9090	BRATTLEBORO STATE HIGHWAY
9150	CASILETON STATE HIGHWAY
9180	COVENTRY STATE HIGHWAY
9210	FAIR HAVEN STATE HIGHWAY
9240	FAIRLEE STATE HIGHWAY
9270	FERRISBURG STATE HIGHWAY
9330	MAIDSTONE STATE HIGHWAY
9360	MIDDLESEX STATE HIGHWAY
9390	MONTPELIER STATE HIGHWAY
9420	MONTPELIER JUNCTION STATE HIGHWAY
9430	NEWBURY STATE HIGHWAY
9480	NORTON STATE HIGHWAY
9540	NORWICH STATE HIGHWAY
9600	PUTNEY STATE HIGHWAY
9630	ONECHEE STATE HIGHWAY
9720	ST. ALBANS ST. HWY. SOUTH
9730	ST. JOHNSBURY ST. HWY.
9750	SOUTH ALBURG STATE HIGHWAY
9840	WESTMINSTER STATE HIGHWAY
9870	WILDER STATE HIGHWAY
9900	WINHALL STATE HIGHWAY
9981	WEST RUTLAND-RUTLAND (BUS. US-4)
9982	BELLOWS FALLS SOUTH (ROCK-WEST ST.)
9993	BURLINGTON (ALTERNATE US-7)
9995	MONTPELIER (BUS. US-2)
9996	NEWPORT (ALTERNATE US-5)
9997	ST. JOHNSBURY (ALTERNATE US-5)
9998	SO. BURLINGTON-KENNEDY DRIVE

PAYMENT:

MILEMARKERS SHALL BE PAID AS TRAFFIC SIGNS, TYPE "A", AND POSTS PAID AS FLANGED CHANNEL STEEL SIGN POSTS.

MATERIAL:

THE SIGN BASE MATERIAL SHALL BE 0.04" FLAT SHEET ALUMINUM.

COLORS:

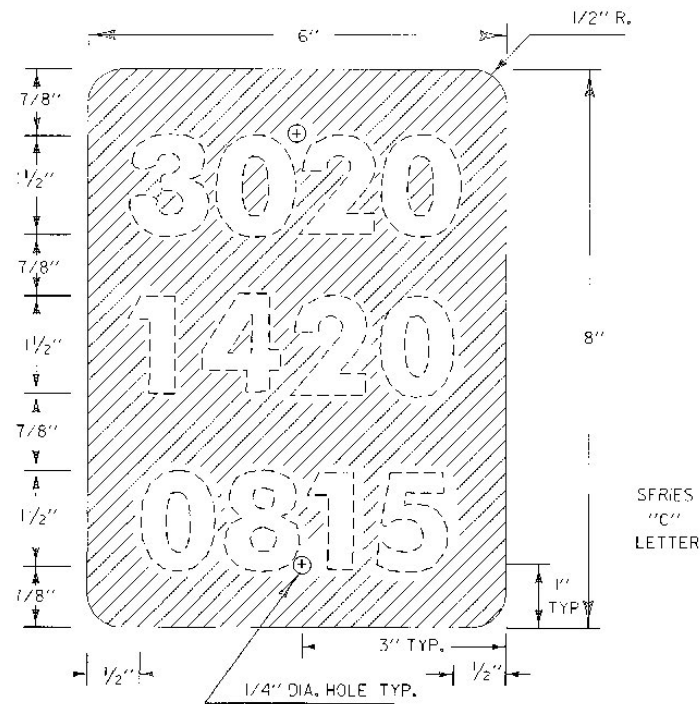
THE SIGN SHALL HAVE A REFLECTORIZED WHITE TEXT ON A REFLECTORIZED GREEN BACKGROUND. THE COLORS SHALL CONFORM WITH THOSE FOUND IN STANDARD COLOR TOLERANCE CHARTS AS APPROVED BY THE U.S. DEPARTMENT OF TRANSPORTATION, FEDERAL HIGHWAY ADMINISTRATION.

LETTERING:

LETTERS AND DIGITS SHALL CONFORM WITH THE STANDARD ALPHABETS FOR HIGHWAY SIGNS AS PRINTED BY THE FEDERAL HIGHWAY ADMINISTRATION.

POSTS:

FLANGED CHANNEL STEEL 2 #/FT. POSTS SHALL BE USED WHEN THE POST LENGTH EXCEEDS 7 FEET. FOR LENGTHS OF 7 FEET OR LESS, A 1.12 #/FT. STEEL SIGN POST SHALL BE USED.



OTHER STDS. E-160 REQUIRED:



STANDARD E-138

REVISIONS AND CORRECTIONS

OCT 23, 1988 - DATE OF ORIGINAL ISSUANCE
AUG. 08, 1995 - MINOR NOTE REVISIONS
May 30, 2003 - Superseded

APPROVED FOR THIS PROJECT AND/OR DESIGN IMPLEMENTATION. FHWA FINAL APPROVAL PENDING.

APPROVED

Stephen D. MacArthur
DIRECTOR OF ENGINEERING

David A. Ross
TRAFFIC AND SAFETY ENGINEER

MILEMARKER DETAILS STATE AND TOWN HIGHWAYS

:/traf/std/stdel38.cgm : stdel38.j