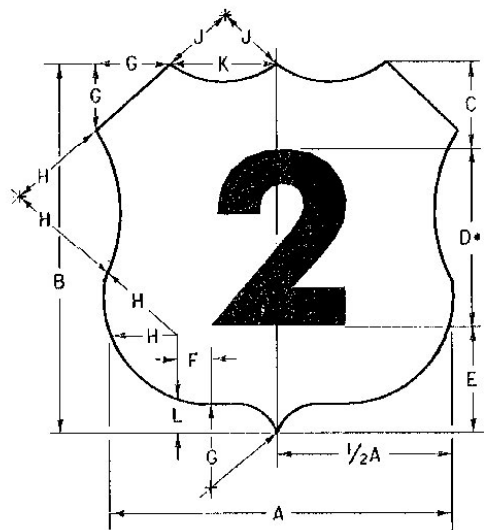


U.S. ROUTE MARKER

SIGN	DIMENSIONS (INCHES)													
	A	B	C	D	E	F	G	H	J	K	L	M	N	P
1-DIGIT	24	24	8 1/2	120	6 1/2	1	5 1/2	2 1/2	7 1/2	7	5 1/2	4 1/2	1 1/2	1 1/2
1-DIGIT	36	36	8 1/4	180	9 3/4	1 1/2	8 1/4	3 3/4	11 1/4	10 1/2	8 1/4	6 1/2	3/4	2 1/4
3-DIGITS	30	24	5 1/2	120	6 1/2	4	5 1/2	2 1/2	7 1/2	10	9 1/2	4 1/2	1 1/2	1 1/2
3-DIGITS	45	36	8 1/4	180	9 3/4	5 1/2	8 1/4	3 3/4	11 1/4	15	14 1/4	6 1/2	3/4	2 1/4

COLORS

TEXT AND BORDER - BLACK (NON REFL.)
BACKGROUND - WHITE (REFL.)

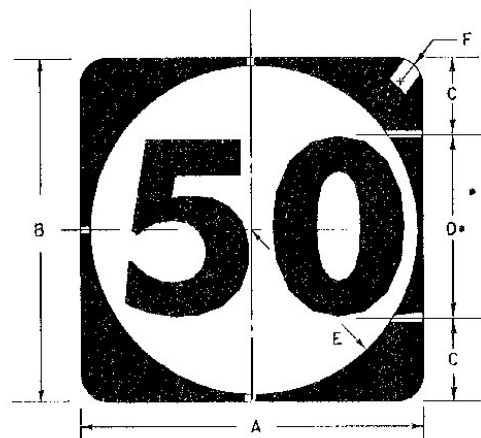


U.S. ROUTE MARKER FOR GUIDE SIGN USE

SIGN	DIMENSIONS (INCHES)											
	A	B	C	D	E	F	G	H	J	K	L	
1,2-digits	24	24	5 1/2	120	6 1/2	1	5	7	5	7	2	
1,2-digits	36	36	8 1/4	180	9 3/4	1 1/2	7 1/2	10 1/2	7 1/2	10 1/2	3	
3-digits	30	24	5 1/2	120	6 1/2	4	5	7	9	10	2	
3-digits	45	36	8 1/4	180	9 3/4	5 1/2	7 1/2	10 1/2	13 1/2	15	3	

COLORS

TEXT - BLACK (NON REFL.)
BACKGROUND - WHITE (REFL.)

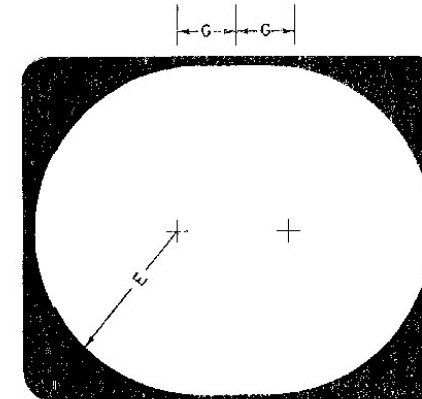


1 OR 2 DIGIT STATE ROUTE MARKERS

SIGN	DIMENSIONS (INCHES)						
	A	B	C	D	E	F	G
1,2-digits	24	24	6	120	11	1 1/2	-
1,2-digits	36	36	9	180	16 1/2	2 1/4	-
3-digits	30	24	6	120	11	1 1/2	3
3-digits	45	36	9	180	16 1/2	2 1/4	4 1/2

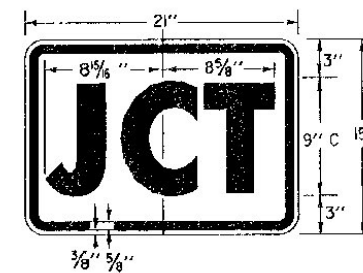
COLORS

TEXT AND BORDER - BLACK (NON REFL.)
BACKGROUND - WHITE (REFL.)

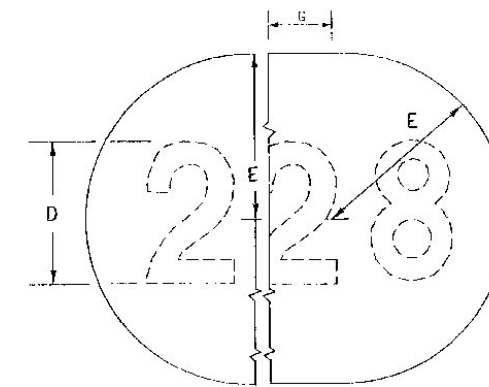


3 DIGIT STATE ROUTE MARKER

(SEE DIMENSION CHART FOR 1 OR 2 DIGIT SIGNS)

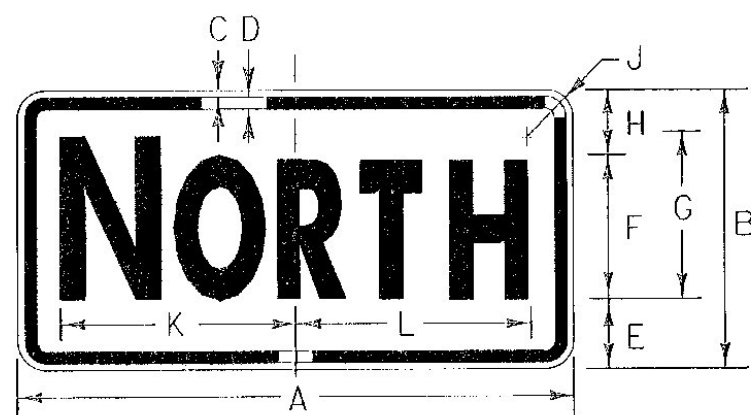


JCT



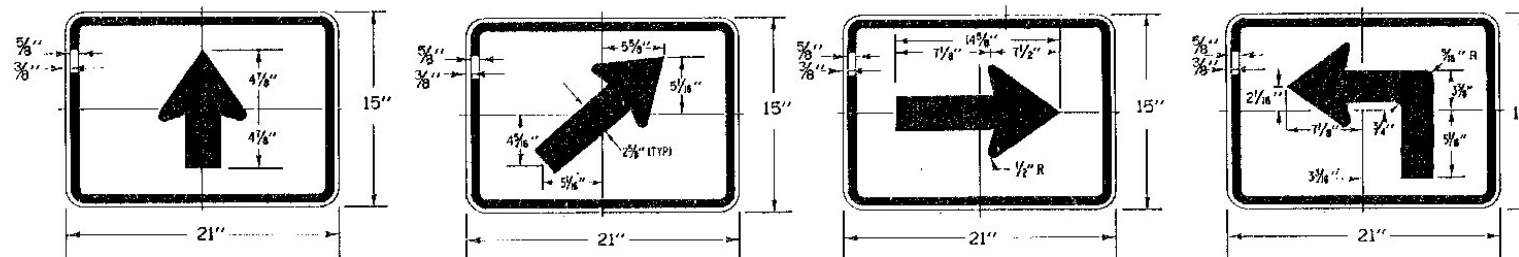
STATE ROUTE MARKER FOR GUIDE SIGN USE

SIGN	DIMENSIONS (INCHES)		
	D	E	G
1,2-digits	120	12	-
1,2-digits	180	18	-
3-digits	120	12	3
3-digits	180	18	4 1/2

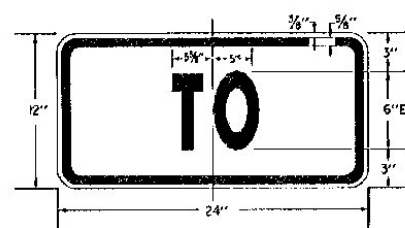


CARDINAL DIRECTION MARKER

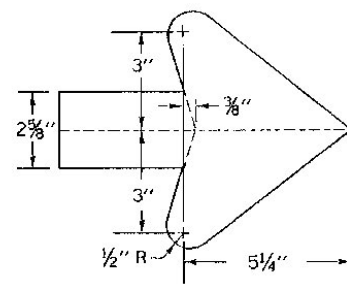
SIGN	DIMENSIONS (INCHES)																
	NORTH				SOUTH				EAST				WEST				
	A	B	C	D	E	F	G	H	J	K	L	M	N	O	P	Q	R
MIN. & STD.	24	12	3/8	3/8	2 1/4	6C	7C	3 1/4	1 1/2	10 1/4	10 1/4	10 1/4	5 9/16	7 1/2	8 3/8	8 3/4	8 3/8
SPECIAL	30	15	3/8	3/8	3 1/4	8C	9C	3 3/4	1 1/2	12 1/4	12 1/4	12 1/4	10 3/8	10 3/8	11 3/8	11 3/8	11 3/8



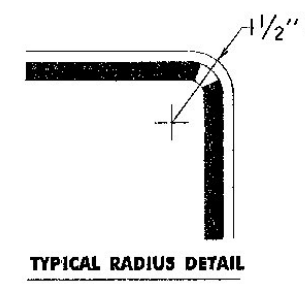
DIRECTION ARROW OR ADVANCE TURN ARROWS



TRAILBLAZER



ARROW DETAILS



TYPICAL RADIUS DETAIL

MATERIALS

THE SIGN BASE MATERIAL MAY BE ANY OF THE FOLLOWING, WITH THE MINIMUM THICKNESSES AS NOTED:

FLAT SHEET ALUMINUM

LESS THAN 24" X 24"	0.060"
WHEN USED ON GUIDE SIGNS	0.060"
24" X 24", 30" X 24"	0.080"
36" X 36", 45" X 36"	0.100"

GALVANIZED FLAT SHEET STEEL

LESS THAN 24" X 24"	1.8 GAGE
WHEN USED ON GUIDE SIGNS	1.8 GAGE
24" X 24", 30" X 24"	1.6 GAGE
36" X 36", 45" X 36"	1.4 GAGE

THE REFLECTIVE MATERIAL SHALL BE WHITE REFLECTIVE SHEETING APPLIED TO THE ENTIRE BACKGROUND, THE TEXT MAY BE LETTERING FILM, SILK SCREENED, OR HAND PAINTED.

COLORS

U.S. AND STATE ROUTE MARKERS SHALL HAVE BLACK TEXT ON REFLECTORIZED WHITE BACKGROUNDS.

LETTERING

LETTERS AND DIGITS SHALL CONFORM WITH THE "STANDARD ALPHABET FOR HIGHWAY SIGNS AND PAVEMENT MARKINGS" ADOPTED BY THE U.S. DEPARTMENT OF TRANSPORTATION AND FHWA.

SPECIFICATIONS

U.S. AND STATE ROUTE MARKERS AND AUXILIARY ROUTE MARKERS SHALL MEET THE STANDARD STATE SPECIFICATIONS FOR TRAFFIC SIGNS.

DESIGNS

THE DESIGNS OF STATE ROUTE MARKERS AND AUXILIARY MARKERS SHALL CONFORM WITH THE REQUIREMENTS SET FORTH IN THE "MANUAL ON UNIFORM TRAFFIC CONTROL DEVICES" ADOPTED BY THE U.S. DEPARTMENT OF TRANSPORTATION AND FHWA.

REVISIONS AND CORRECTIONS

APRIL 29, 1988 - FHWA COMMENTS
OCT. 21, 1992 - NEW CARDINAL & JCT. SIGNS & REVISED TITLE BLOCK
JAN. 13, 1993 - REVISED CARDINAL DIRECTION MARKER BOX

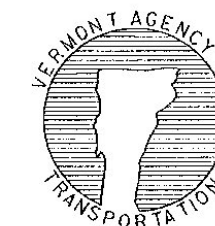
APPROVED:

SEPT. 10, 1987
DATE

Secretary of State
DIRECTOR OF ENGINEERING

David A. Pean
TRAFFIC AND SAFETY ENGINEER

U.S. AND STATE ROUTE MARKER
SIGN DETAILS



STANDARD
E-136