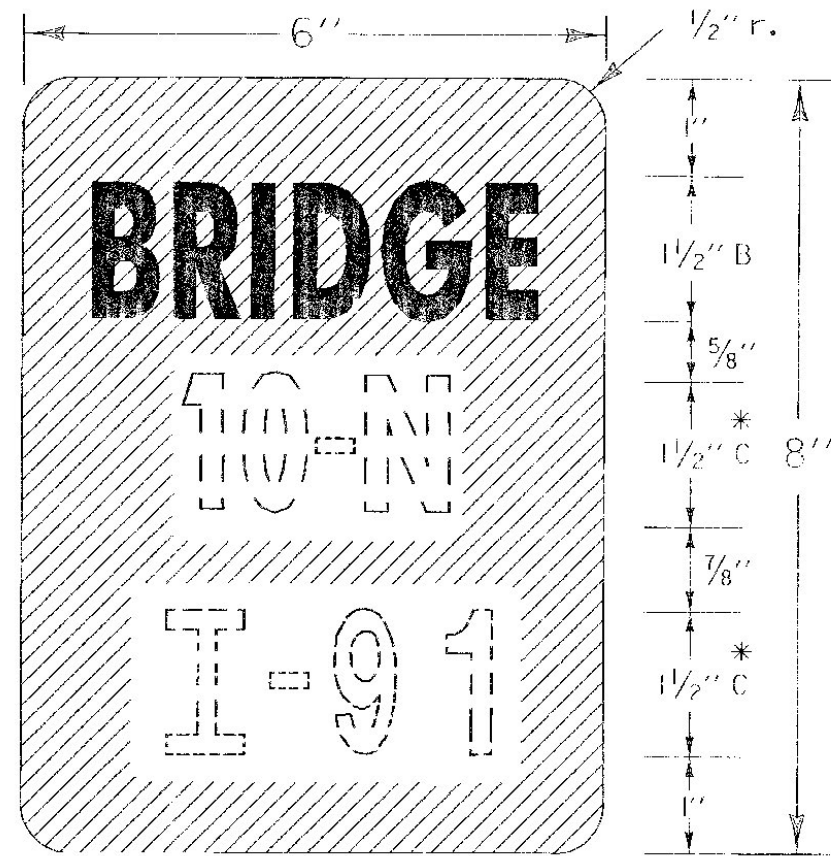
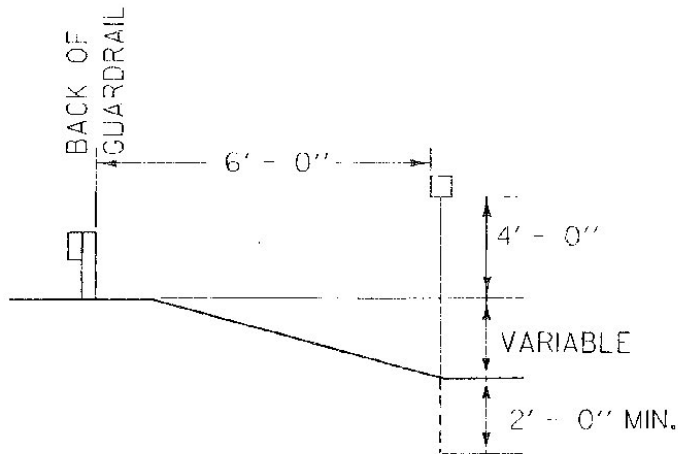
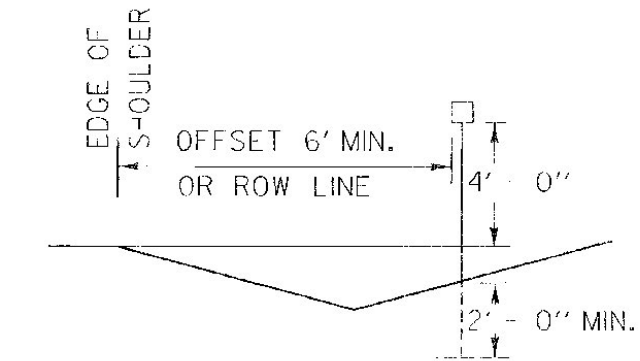


I-91
 2"

HYPHENATED WORD DETAIL

FOR EXAMPLE, ROUTE NUMBERS SHALL APPEAR AS: I-91, US5, VT22



1/2" MIN. *

VD-701

* OPTICALLY SPACE BRIDGE AND ROUTE NUMBERS. SERIES B LETTERS MAY BE USED TO MAINTAIN VISUAL INTEGRITY.

NOTES:

GENERAL:
 DOTTED LINES AND NUMERALS INDICATE TEXT THAT VARIES.

PAYMENT:
 BRIDGE PLAQUES SHALL BE PAID AS TRAFFIC SIGNS, TYPE "4", AND POSTS PAID AS FLANGED CHANNEL STEEL SIGN POSTS.

MATERIAL:
 THE SIGN BASE MATERIAL SHALL BE 0.04" FLAT SHEET ALUMINUM.

COLORS:
 THE SIGN SHALL HAVE A REFLECTORIZED WHITE TEXT ON REFLECTORIZED GREEN BACKGROUND. THE COLORS SHALL CONFORM WITH THOSE FOUND IN STANDARD COLOR TOLERANCE CHARTS AS APPROVED BY THE U.S. DEPARTMENT OF TRANSPORTATION, FEDERAL HIGHWAY ADMINISTRATION.

LETTERING:
 LETTERS AND DIGITS SHALL CONFORM WITH THE STANDARD ALPHABETS FOR HIGHWAY SIGNS AS PRINTED BY THE FEDERAL HIGHWAY ADMINISTRATION.

POSTS:
 FLANGED CHANNEL STEEL 2"/FT POSTS SHALL BE USED WHEN THE POST LENGTH EXCEEDS 7 FEET. FOR LENGTH OF 7 FEET OR LESS, A 1.12"/FT STEEL SIGN POST SHALL BE USED.

OTHER STDS. REQUIRED:

REVISIONS AND CORRECTIONS

DEC. 17, 1989 - DATE OF ORIGINAL ISSUE
 AUG. 08, 1995 - MISC NOTE REVISIONS

APPROVED

Stephen D. MacArthur
 DIRECTOR OF ENGINEERING

Dave A. Ross
 TRAFFIC AND SAFETY ENGINEER

BRIDGE NUMBER PLAQUE



STANDARD
 E-134

APPROVED FOR THIS PROJECT AND/OR DESIGN IMPLEMENTATION UNTIL FINAL APPROVAL PENDING.