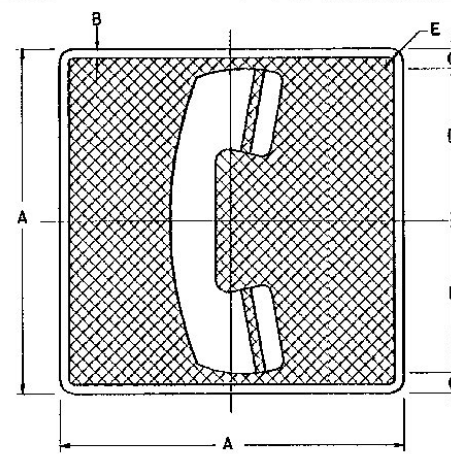
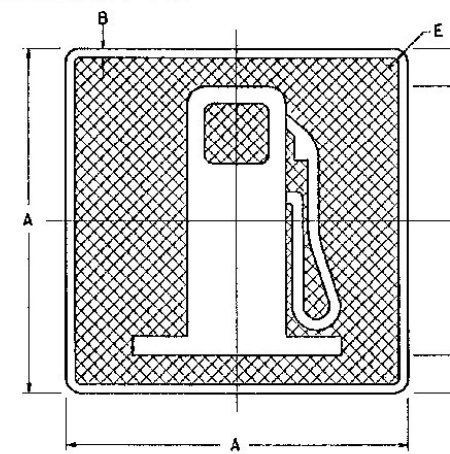


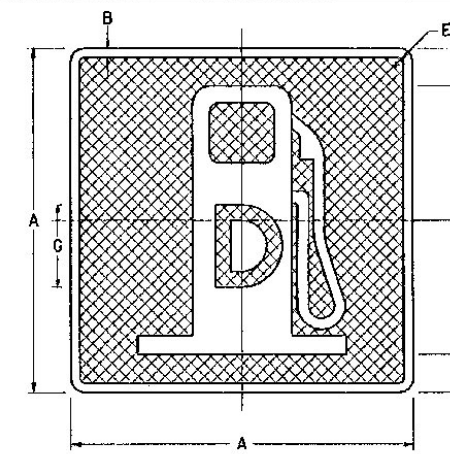
SIGN	DIMENSIONS (INCHES)					
	A	B	C	D	E	F
STD	24	1/2	3	9	1 1/2	24
SPECIAL	30	3/4	3 3/4	11 1/4	1 7/8	24



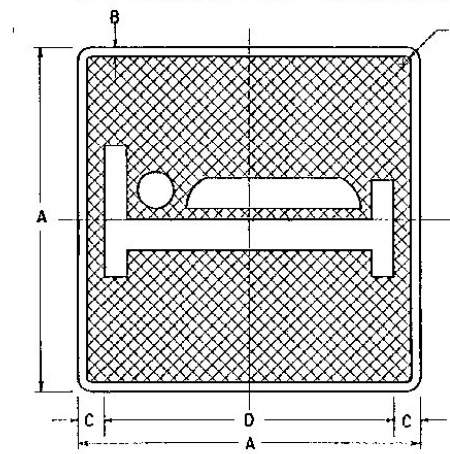
SIGN	DIMENSIONS (INCHES)				
	A	B	C	D	E
STD	24	1/2	1 1/2	10 1/2	1 1/2
SPECIAL	30	3/4	2	13	1 7/8



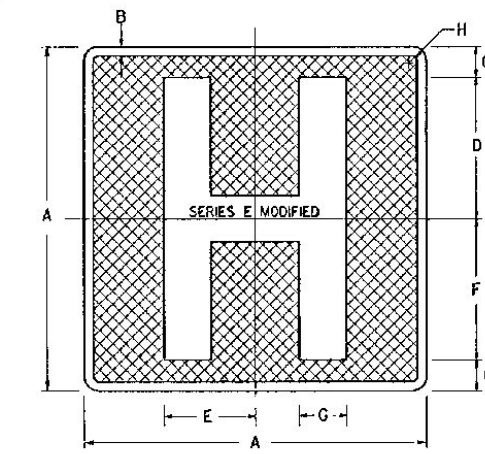
SIGN	DIMENSIONS (INCHES)					
	A	B	C	D	E	F
STD	24	1/2	3	9	1 1/2	24
SPECIAL	30	3/4	3 3/4	11 1/4	1 7/8	24



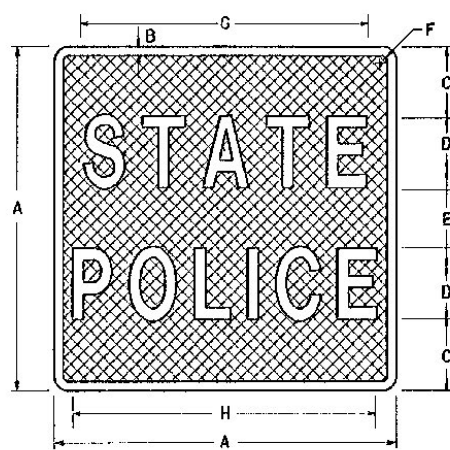
SIGN	DIMENSIONS (INCHES)						
	A	B	C	D	E	F	G
STD	24	1/2	3	9	1 1/2	24	6E(M)
SPECIAL	30	3/4	3 3/4	11 1/4	1 7/8	24	7 1/2 E(M)



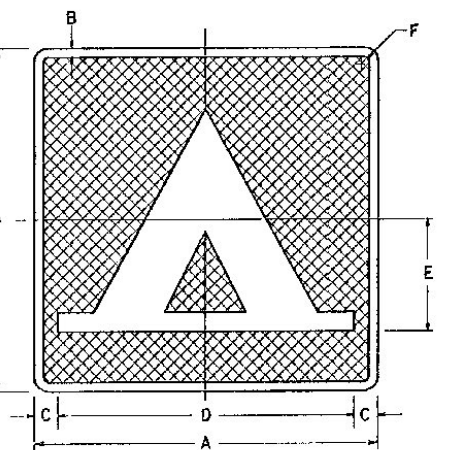
SIGN	DIMENSIONS (INCHES)					
	A	B	C	D	E	F
STD	24	1/2	1 1/2	21	1 1/2	24
SPECIAL	30	3/4	2	26	1 7/8	24



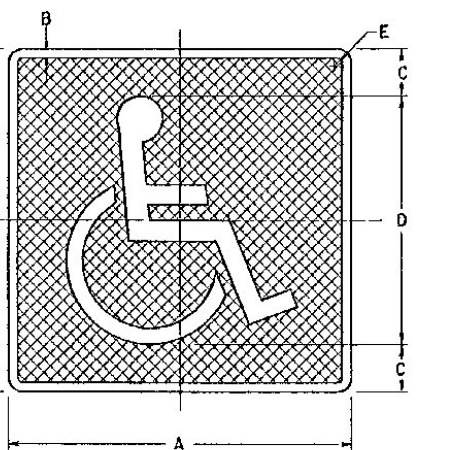
SIGN	DIMENSIONS (INCHES)							
	A	B	C	D	E	F	G	H
STD	24	1/2	4	8	6 3/8	8	3 3/8	1 1/2
SPECIAL	30	3/4	5	10	8	10	4	1 7/8



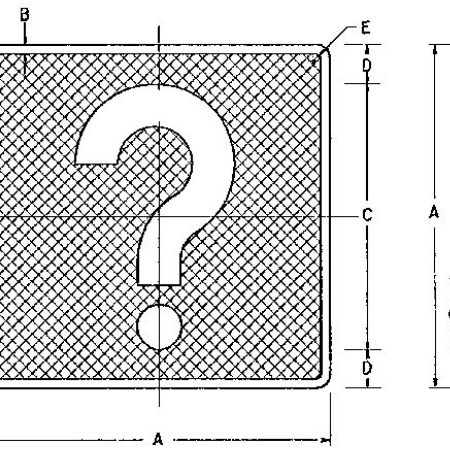
SIGN	DIMENSIONS (INCHES)							
	A	B	C	D	E	F	G	H
MIN AND STD	24	1/2	5	5C	4	1 1/2	14 3/8	18
SPECIAL	30	1/2	6	6C	6	1 1/2	18 3/4	22 3/8



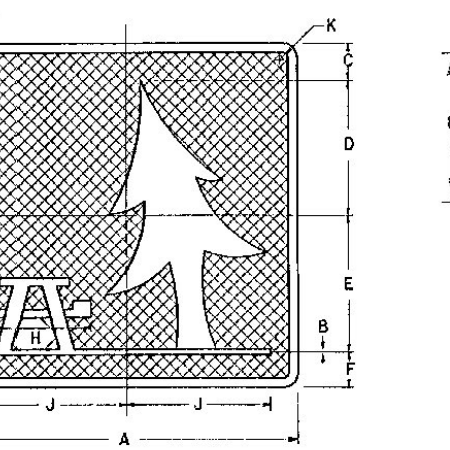
SIGN	DIMENSIONS (INCHES)					
	A	B	C	D	E	F
STD&MIN	24	1/2	1 1/2	21	8	1 1/2
SPECIAL	30	3/4	2	26	10	1 7/8



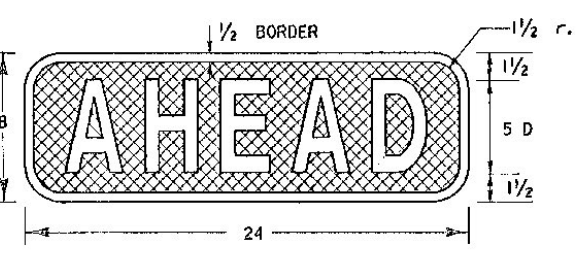
SIGN	DIMENSIONS (INCHES)				
	A	B	C	D	E
STD&MIN	24	1/2	3	18	1 1/2
SPECIAL	30	3/4	3 3/4	22 1/2	1 7/8



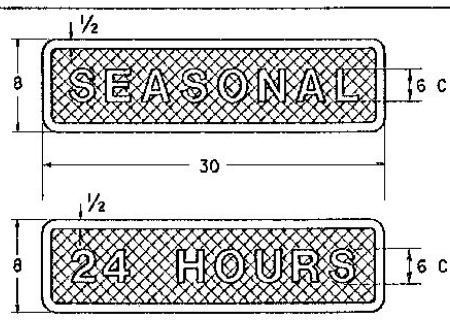
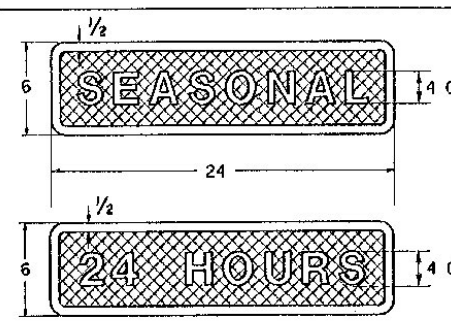
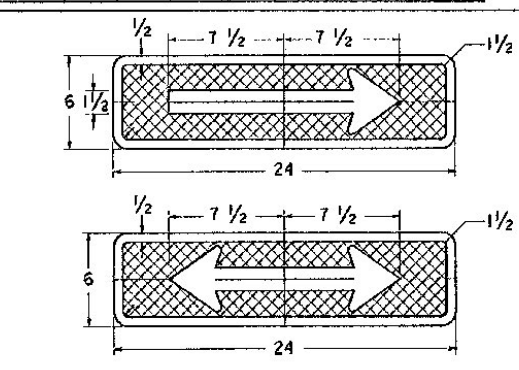
SIGN	DIMENSIONS (INCHES)				
	A	B	C	D	E
STD	24	1/2	18 1/2	2 3/4	1 1/2
SPECIAL	30	3/4	23 1/4	3 3/8	1 7/8



SIGN	DIMENSIONS (INCHES)										
	A	B	C	D	E	F	G	H	J	K	
STD&MIN	24	1/2	1 1/2	10 1/2	9 1/2	2 1/2	5 1/4	8	10	1 1/2	
SPECIAL	30	3/4	1 7/8	13 1/8	11 3/8	3 3/8	6 3/8	10	12 1/2	1 7/8	



NOTE: ALL DIMENSIONS SHOWN IN INCHES



USE 30 x 8 PANEL AND 6C TEXT WITH THE 30 x 30 SIZE SYMBOLS.

NOTES

MATERIALS
THE SIGN BASE MATERIAL USED FOR THE GUIDE SIGNS SHOWN ON THIS SHEET MAY BE ANY OF THE FOLLOWING MINIMUM THICKNESSES NOTED.

A - FLAT SHEET ALUMINUM - 0.060
B - HIGH DENSITY OVERLAP PLYWOOD - 1/2"
C - GALVANIZED FLAT SHEET STEEL - 16 GA.

COLORS
THE SIGNS SHALL BE WHITE OR SILVER REFLECTORIZED SHEETING WITH A REVERSE SCREENED BLUE BACKGROUND. THE BLUE SHALL CONFORM WITH THE STANDARD COLORS ADOPTED BY THE AMERICAN ASSOCIATION OF STATE HIGHWAY OFFICIALS AND APPROVED BY THE U.S. DEPT. OF TRANSPORTATION, FEDERAL HIGHWAY ADMINISTRATION.

LETTERING
LETTERS SHALL CONFORM WITH THE REQUIREMENTS FOUND IN THE PUBLICATION "STANDARD ALPHABETS FOR HIGHWAY SIGNS AND PAVEMENT MARKINGS" PRINTED BY THE FEDERAL HIGHWAY ADMINISTRATION.

DESIGN
THE DESIGN OF THESE SIGNS SHALL CONFORM WITH THE DETAILS SET FORTH IN THE MANUAL "STANDARD HIGHWAY SIGNS" AS SPECIFIED IN "THE MANUAL ON UNIFORM TRAFFIC CONTROL DEVICES," LETTER-NUMERAL DESIGNATION UNDER EACH SYMBOL IS IDENTIFICATION IN MANUAL.

SPECIFICATIONS
THESE SIGNS SHALL MEET THE STANDARD STATE SPECIFICATIONS FOR "TRAFFIC SIGNS."

REVISIONS AND CORRECTIONS
DEC. 18, 1989 - DELETED SERVICE MOUNTING DETAIL
REVISED "STATE POLICE" SIGN
ADDED "AHEAD" SIGN

APPROVED
SEPT. 10, 1987
DATE
David B. Kelley
CHIEF ENGINEER
Stephen J. Goss
DIRECTOR OF PLANNING
Wendell B. McCallister
TRAFFIC AND SAFETY ENGINEER

GENERAL MOTORIST SERVICES SIGN DETAILS



STANDARD
E-132