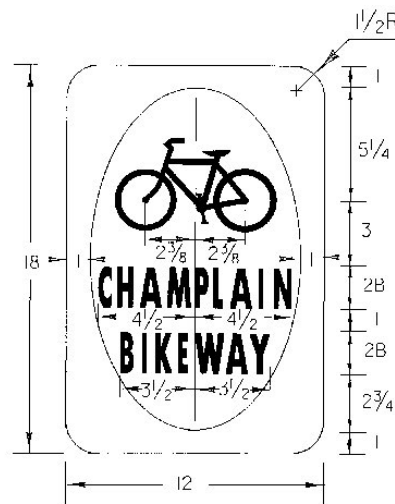




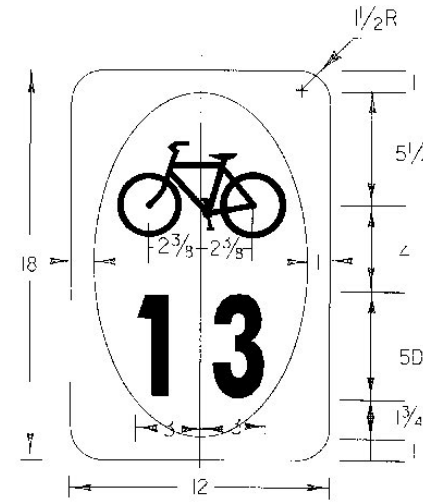
\* REDUCE LETTER SPACING 50%  
**D4-3**

COLORS: BACKGROUND - WHITE (REFL)  
TEXT, BORDER AND SYMBOLS - GREEN (RLIL)

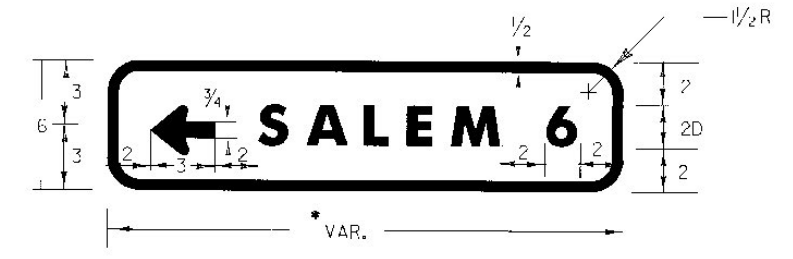


**VD-503**

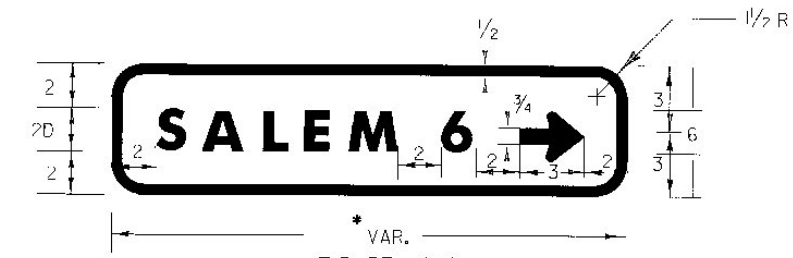
COLORS:  
FIELD AND SYMBOL - WHITE (REFL)  
INNER BACKGROUND - GREEN (REFL)  
OUTER BACKGROUND - WHITE (REFL)



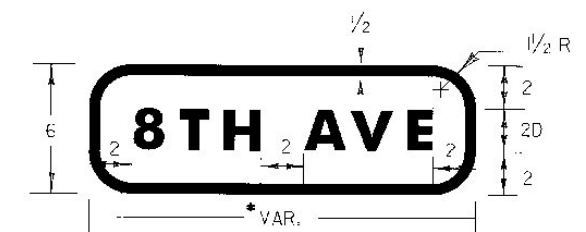
COLORS: **M1-8**  
LEGEND AND SYMBOL - WHITE (REFL)  
INNER BACKGROUND - GREEN (REFL)  
OUTER BACKGROUND - WHITE (REFL)



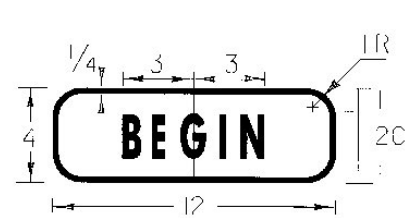
**D1-1B (L)**



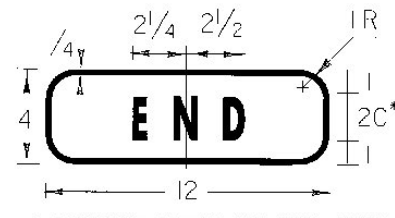
**D1-1B (R)**



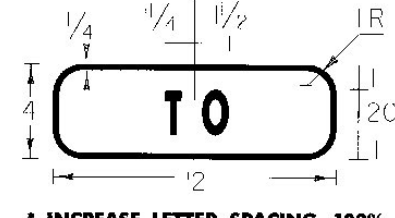
**D1-1C**  
\* 24 INCH MAX.



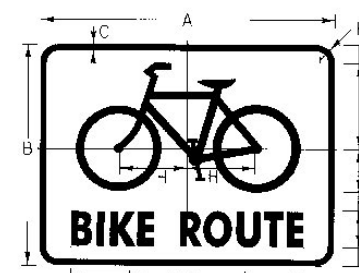
**M4-11**



\* INCREASE LETTER SPACING 100%  
**M4-12**

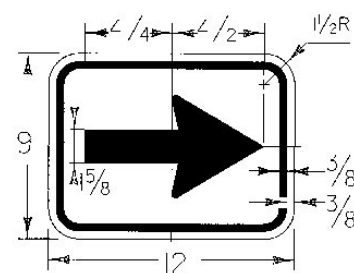


\* INCREASE LETTER SPACING 100%  
**M4-13**

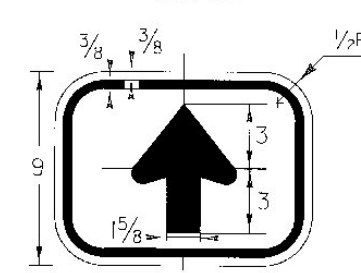


**D11-1**

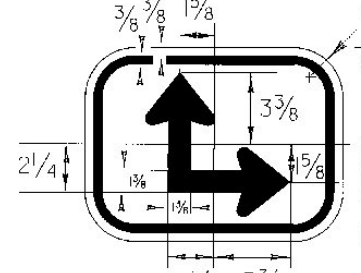
SIGN	DIMENSIONS (INCHES)									
	A	B	C	D	E	F	G	H	J	K
M11-1 STD	24	18	1/2	1/2	7	3 1/2	3C	5 1/2	9 1/2	1/2



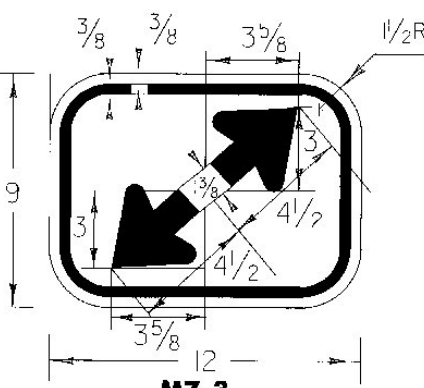
**M7-1**



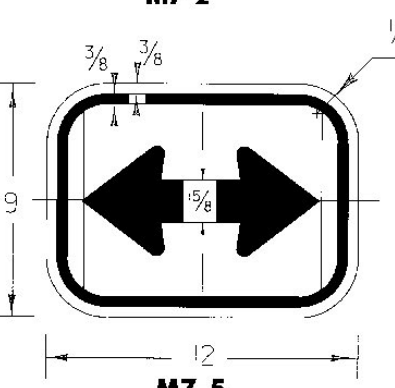
**M7-2**



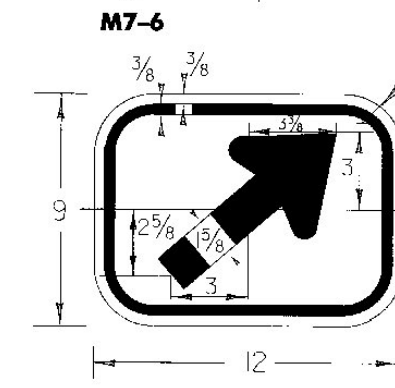
**M7-6**



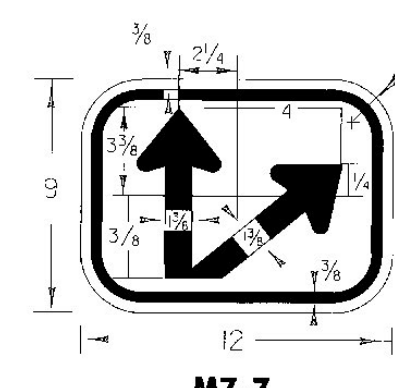
**M7-3**



**M7-5**



**M7-4**



**M7-7**

**GENERAL**

SEE STANDARD E-144 FOR ARROWHEAD DETAILS. SEE FHWA STANDARD HIGHWAY SIGN BOOK FOR BIKE DETAIL.  
SUPPLEMENTAL PLACQUES SHALL BE USED ONLY IN COMBINATION WITH GUIDE SIGNS. THEY SHALL NOT BE MOUNTED ALONE OR DISPLAYED ALONE. IF USED, A SUPPLEMENTAL PLACQUE SHALL BE INSTALLED ON THE SAME POST(S) AS THE GUIDE SIGN.

**COLORS**

THE SIGNS SHOWN ON THIS SHEET SHALL HAVE REFLECTORIZED WHITE TEXT, SYMBOLS AND BORDER ON A REFLECTORIZED GREEN BACKGROUND UNLESS OTHERWISE NOTED. THE COLORS SHALL CONFORM WITH THE COLORS ADOPTED BY AASHTO AND APPROVED BY THE FHWA.

**MATERIALS**

THE SIGN BASE MATERIALS USED FOR GUIDE SIGNS SHOWN ON THIS SHEET MAY BE ANY OF THE FOLLOWING MINIMUM THICKNESSES NOTED:

12 X 4	24 X 5
12 X 9	24 X 18

FLAT SHEET ALUMINUM

0.060" 0.080"

HIGH DENSITY OVERLAID PLYWOOD

1/2" 1/2"

THE REFLECTIVE MATERIAL SHALL BE ASTM TYPE III GREEN OR WHITE REFLECTIVE SHEETING APPLIED TO THE ENTIRE BACKGROUND OF THE SIGN. THE TEXT AND BORDER MAY BE LETTERING FILM OR SILK SCREENED.

**SPECIFICATIONS**

GUIDE SIGNS SHALL MEET THE VERMONT STANDARD SPECIFICATIONS FOR TRAFFIC SIGNS AS DESCRIBED IN THE VAGT STANDARD SPECIFICATIONS FOR CONSTRUCTION.

**TEXT DESIGN**

LETTERS, DIGITS, ARROWS, SPACING AND TEXT DIMENSIONS SHALL CONFORM TO THE LATEST VERSION OF FHWA'S STANDARD ALPHABETS FOR HIGHWAY SIGNS AND PAVEMENT MARKINGS. DETAILS SHALL CONFORM WITH THOSE DESCRIBED IN THE PRACTICE STANDARD HIGHWAY SIGNS AS SPECIFIED IN THE MUTCD.

ALL DIMENSIONS ARE IN INCHES EXCEPT WHERE NOTED

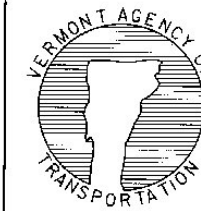
OTHER STDS. E-144  
REQUIRED:

REVISIONS AND CORRECTIONS  
DEC 30, 2002 - DATE OF ORIGINAL ISSUE  
May 30, 2003 - Superseded

APPROVED

DIRECTOR OF PROJECT DEVELOPMENT  
TRAFFIC OPERATIONS ENGINEER  
FEDERAL HIGHWAY ADMINISTRATION

BICYCLE GUIDE SIGN  
DETAILS



STANDARD  
E-131B