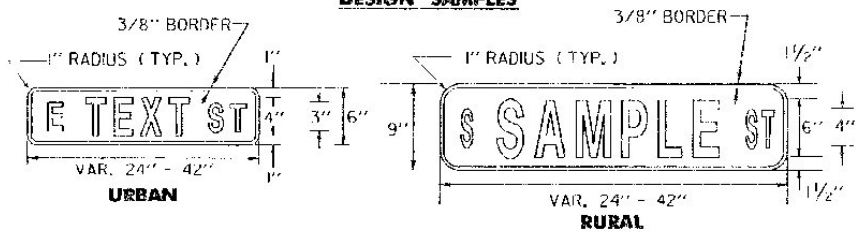


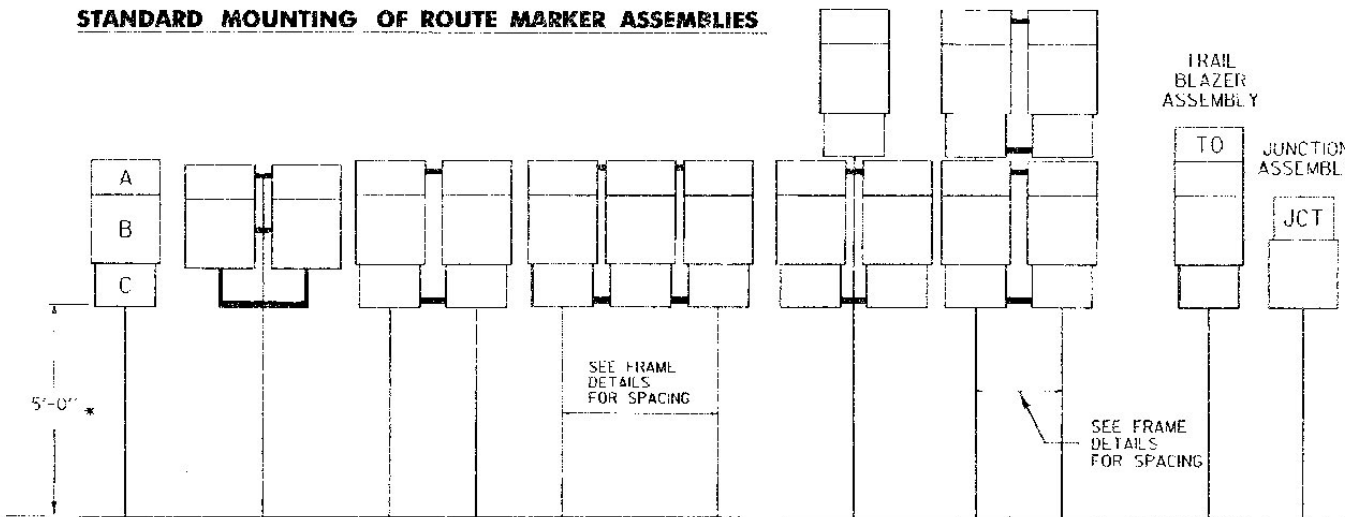
**STREET NAME SIGNS**

- \* MATERIALS**  
THE SIGN BASE MATERIALS USED FOR THE STREET NAME SIGNS MAY BE EITHER OF THE FOLLOWING:  
A - EXTRUDED ALUMINUM BLADES WITH REFLECTIVE SHEETING  
B - FLAT ALUMINUM BLADES WITH REFLECTIVE SHEETING
- \* COLORS**  
THE SIGNS SHALL HAVE A REFLECTORIZED WHITE OR SILVER TEXT (STICK ON REFLECTIVE LETTERS) ON A REFLECTORIZED GREEN BACKGROUND. THE COLORS SHALL CONFORM WITH THOSE FOUND IN STANDARD COLOR TOLERANCE CHARTS AS APPROVED BY THE U.S. DEPARTMENT OF TRANSPORTATION, FEDERAL HIGHWAY ADMINISTRATION.
- \* LETTERING**  
LETTERS AND DIGITS SHALL CONFORM WITH THE STANDARD ALPHABETS FOR HIGHWAY SIGNS PRINTED BY THE FEDERAL HIGHWAY ADMINISTRATION.
- \* SPECIFICATIONS**  
THE SIGN SHALL MEET THE VERMONT STATE SPECIFICATIONS FOR "TRAFFIC SIGNS". THE MATERIAL FOR THE BLADES SHALL BE EITHER EXTRUDED ALUMINUM WITH A 0.25 INCH FLANGE THICKNESS AND A 0.090 INCH WEBB (MIN.) OR FLAT SHEET ALUMINUM WITH A MINIMUM THICKNESS OF 0.125 INCH. THE PREFERRED MOUNTING METHOD FOR STREET SIGNS IS POST TOP MOUNTING BRACKETS. HARDWARE FOR MOUNTING SIGNS TO POST SHALL BE SUBSIDIARY TO OTHER ITEMS. MOUNTING METHOD WILL BE AS SHOWN ON THE PLANS. MINIMUM VERTICAL CLEARANCE IS 8 FEET TO THE BOTTOM OF THE SIGN. FOR POST TOP MOUNTINGS, SIGNS SHALL HAVE TEXT ON BOTH SIDES.
- \* SIZES**  
RURAL AREAS - USE A 9 INCH HIGH BLADE IN LENGTHS OF 24", 30", 36" OR 42". USE SERIES "B" LETTERING (MINIMUM) WITH 6 INCH HIGH LETTERS FOR THE STREET NAME, 4 INCH LETTERS FOR OTHER TEXT.  
URBAN AREAS - USE A 6 INCH HIGH BLADE IN LENGTHS OF 24", 30", 36" OR 42". USE SERIES "B" LETTERING (MINIMUM) WITH 4 INCH HIGH LETTERS FOR THE STREET NAME, 2 INCH LETTERS FOR OTHER TEXT.

**DESIGN SAMPLES**



**STANDARD MOUNTING OF ROUTE MARKER ASSEMBLIES**



\* WHERE PARKING OR PEDESTRIAN TRAFFIC WILL OCCUR IN THE IMMEDIATE VICINITY OF THESE SIGNS MINIMUM VERTICAL CLEARANCE SHALL BE INCREASED TO 7'-0"

**INSTALLATION SEQUENCE:**  
IN MULTIPLE HORIZONTAL MOUNTINGS PLACE A ROUTE MARKER ASSEMBLY INDICATING A LEFT TURN ON THE LEFT SIDE OF THE ASSEMBLY; RIGHT TURN ON THE RIGHT SIDE. FOR VERTICALLY STACKED MOUNTINGS PLACE THE STRAIGHT THROUGH MOVE INDICATION ON TOP, THE LEFT OR RIGHT TURNS AS APPROPRIATE BENEATH.  
A - CARDINAL DIRECTION MARKER C - ADVANCE TURN ARROW OR DIRECTIONAL ARROW  
B - ROUTE NUMBER

**APPLICATION**

THE MINIMUM SIZE SHALL BE USED IN AREAS WHERE THE SPEED LIMIT IS 35 MPH OR LESS, UNLESS TEXT SIZE REQUIREMENTS DICTATE THE USE OF THE STANDARD SIZE. MULTIPLE ASSEMBLIES SHALL USE THE SAME SIZE THROUGHOUT.

**MATERIALS**

THE SIGN BASE MATERIAL FOR STANDARD DESTINATION SIGNS SHALL BE HIGH DENSITY OVERLAP PLYWOOD 5/8" THICK OR FLAT SHEET ALUMINUM 1/8" THICK. THE REFLECTIVE SHEETING APPLIED TO THE ENTIRE BACKGROUND OF THE SIGN. THE TEXT AND BORDER SHALL BE CUT OUT OF REFLECTORIZED WHITE OR SILVER LETTERS.

**COLORS**

DESTINATION SIGNS SHALL HAVE A REFLECTORIZED WHITE OR SILVER TEXT AND BORDER ON A REFLECTORIZED GREEN BACKGROUND.

THE COLORS SHALL CONFORM WITH THOSE FOUND IN STANDARD COLOR TOLERANCE CHARTS AS APPROVED BY THE U.S. DEPARTMENT OF TRANSPORTATION AND FEDERAL HIGHWAY ADMINISTRATION.

**LETTERING**

LETTERS AND DIGITS SHALL CONFORM WITH THE STANDARD ALPHABETS FOR HIGHWAY SIGNS APPROVED BY THE NATIONAL JOINT COMMITTEE ON UNIFORM TRAFFIC CONTROL DEVICES.

**SPECIFICATIONS**

DESTINATION SIGNS SHALL MEET THE STATE SPECIFICATIONS FOR "TRAFFIC SIGNS". ALL BORDERS ARE 3/8".

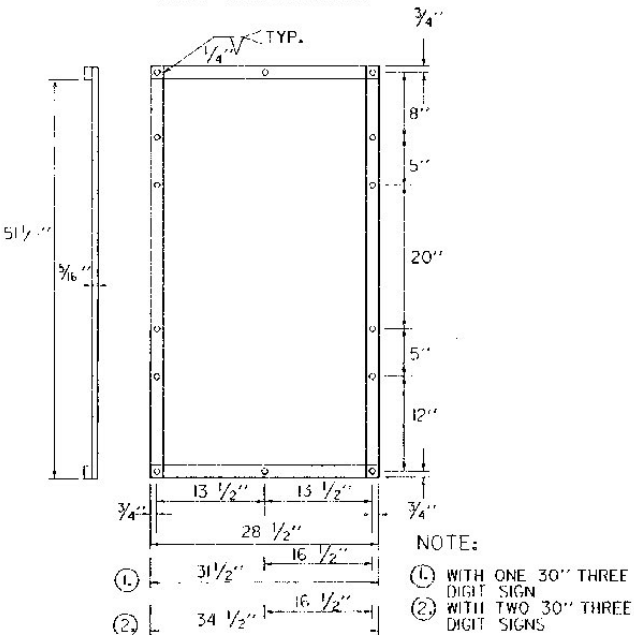
**TEXT DESIGN**

LETTERS, DIGITS, ARROW, SPACING AND TEXT DIMENSIONS SHALL CONFORM WITH THE STANDARD ALPHABETS AND DESIGNS PRESCRIBED IN THE MANUAL ON UNIFORM TRAFFIC CONTROL DEVICES ADOPTED BY THE U.S. DEPARTMENT OF TRANSPORTATION AND FEDERAL HIGHWAY ADMINISTRATION.

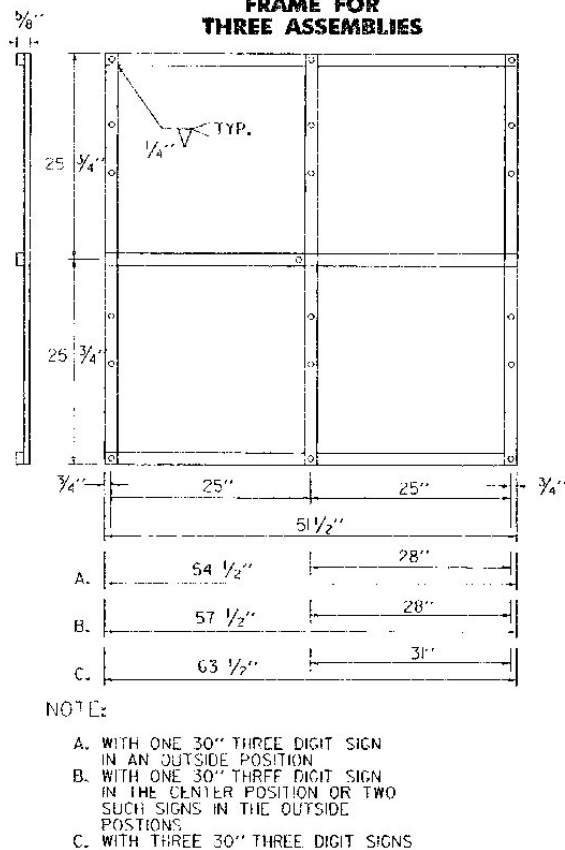
**ROUTE MARKER ASSEMBLY FRAMES**

STANDARD FRAMES SHALL BE 5/16" x 1 1/2" WELDED WROUGHT IRON. ALL HOLES SHALL BE 7/16" DIAMETER. FOR OTHER SIGN COMBINATIONS THAN ABOVE, THE FRAME DIMENSIONS AND HOLE SPACING SHALL BE MODIFIED AS NECESSARY. THE FRAME SHALL BE PAINTED WITH ONE COAT OF PRIMER AND A SECOND COAT OF BLACK PAINT. THE PAINT SHALL BE OF THE TYPE USED ON EXTERIOR METAL SURFACES TO PREVENT METAL CORROSION.

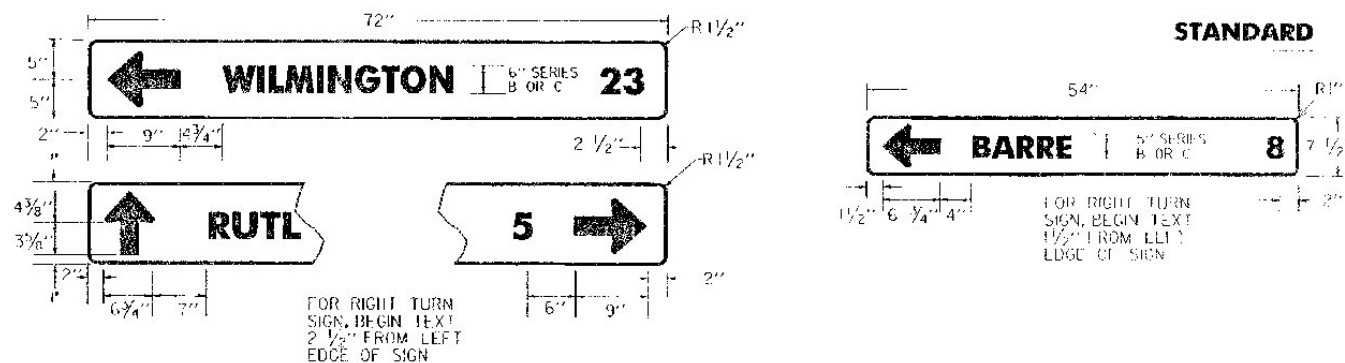
**FRAME FOR TWO ASSEMBLIES**



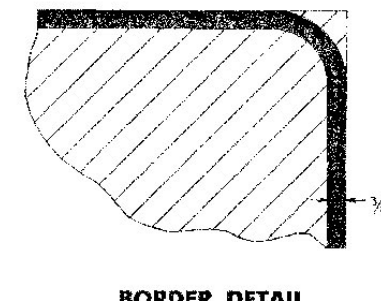
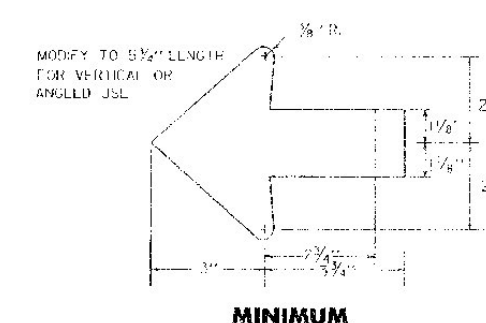
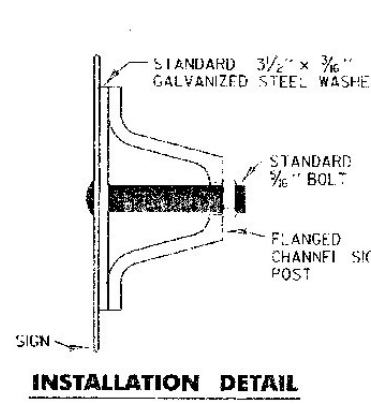
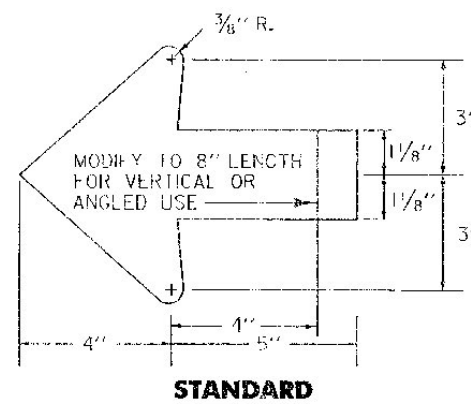
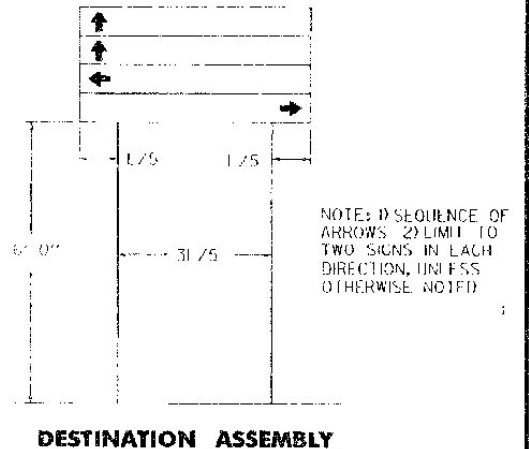
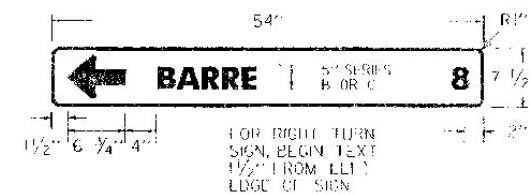
**FRAME FOR THREE ASSEMBLIES**



**STANDARD MOUNTING OF DESTINATION ASSEMBLIES**



**STANDARD**



**REVISIONS AND CORRECTIONS**  
APR. 01, 1988 - DATE OF ORIGINAL ISSUE  
JAN. 23, 1999 - DELETED TOWN LINE INFO.  
AUG. 08, 1995 - REVISED DESTINATION SIGN DETAILS  
DETAILED SIGN LOCATION TYPICAL

APPROVED FOR THIS PROJECT AND/OR DESIGN IMPLEMENTATION. FHWA FINAL APPROVAL PENDING.

APPROVED  
*Stephen D. McArthur*  
DIRECTOR OF ENGINEERING

*David A. Ross*  
TRAFFIC AND SAFETY ENGINEER

**GUIDE SIGN PLACEMENT MISCELLANEOUS DETAILS**

**OTHER STDS. REQUIRED:**

VERMONT AGENCY OF TRANSPORTATION

**STANDARD E-123**