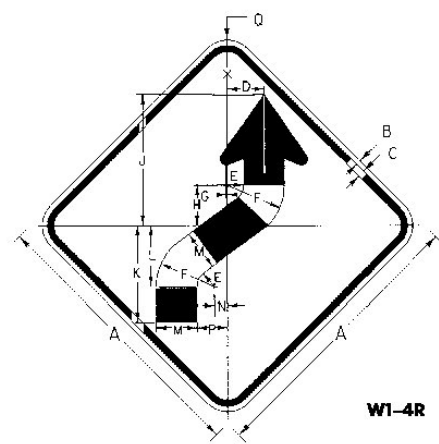
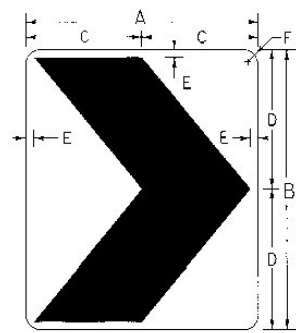


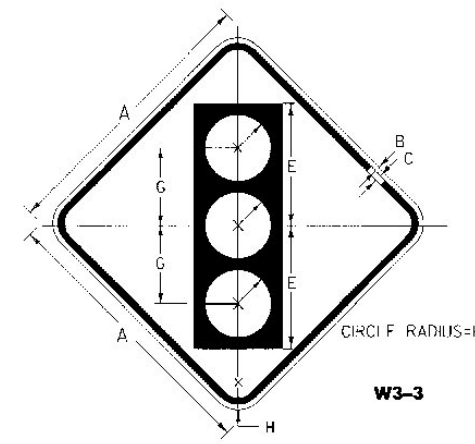
W1-3R



W1-4R



W1-8



W3-3

SIGN	DIMENSIONS (INCHES)											
	A	B	C	D	E	F	G	H	J	K	L	M
STD. & MIN.	36	5/8	7/8	17 1/16	2 1/32	5 1/4	1 1/4	3 5/8	4 1/2	12 5/8	1 7/16	2 1/4
SPECIAL	48	3/4	1 1/4	23 3/8	5 5/8	7	1 5/8	4 7/8	6	16 5/8	2 3/8	3

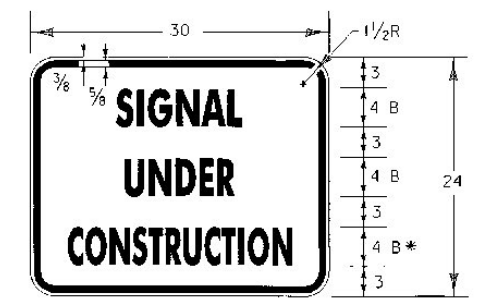
SIGN	DIMENSIONS (INCHES)														
	A	B	C	D	E	F	G	H	J	K	L	M	N	P	Q
STD. & MIN.	36	5/8	7/8	4 3/32	2 1/4	7 1/2	5/8	5 1/4	16 7/8	12 3/8	7 7/8	5 1/4	1 1/16	3 5/8	2 1/4
SPECIAL	48	3/4	1 1/4	6 5/8	3	10	3/8	7	22 1/2	16 1/2	10 1/2	7	2 1/4	5 1/4	3

SIGN	DIMENSIONS (INCHES)					
	A	B	C	D	E	F
STD.	18	24	9	12	3/4	1 1/2
SPECIAL	24	30	12	15	3/8	1 1/2
EXPWY.	30	36	15	18	1	1 7/8
FRWY.	36	48	18	24	1 1/8	2 1/4

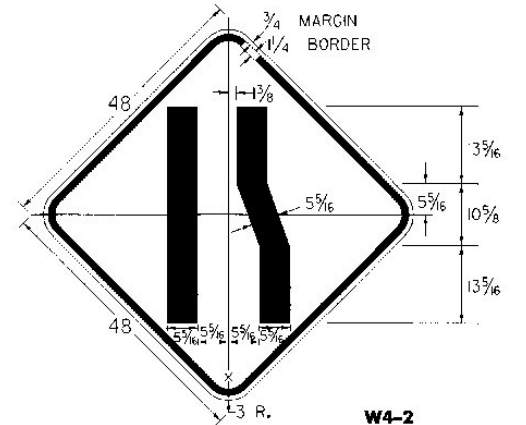
SIGN	DIMENSIONS (INCHES)							
	A	B	C	D	E	F	G	H
STD. & MIN.	36	5/8	7/8	5 3/4	15 3/4	4 1/4	10	2 1/4
SPECIAL	48	3/4	1 1/4	7 1/2	20	5	12 1/2	3

COLORS

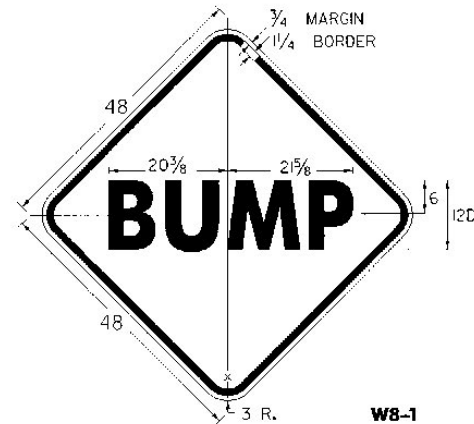
TOP CIRCLE RED (REFL)
MIDDLE CIRCLE YELLOW (REFL)
BOTTOM CIRCLE GREEN (REFL)
SYMBOL & LEGEND - BLACK (NON-REFL)
BACKGROUND - ORANGE (REFL)



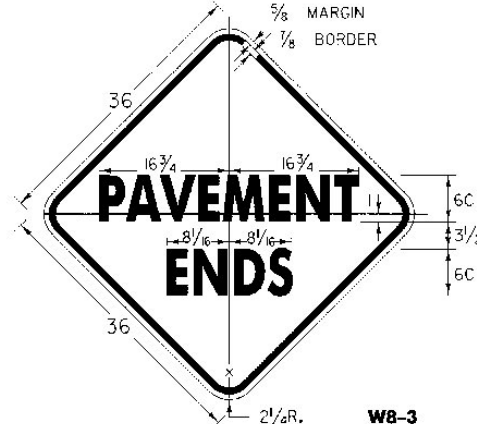
* REDUCE SPACING 50%



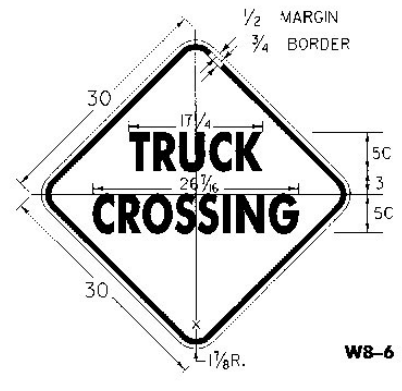
W4-2



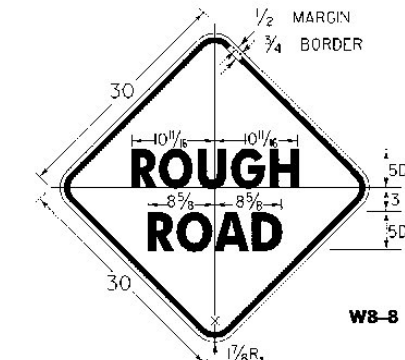
W8-1



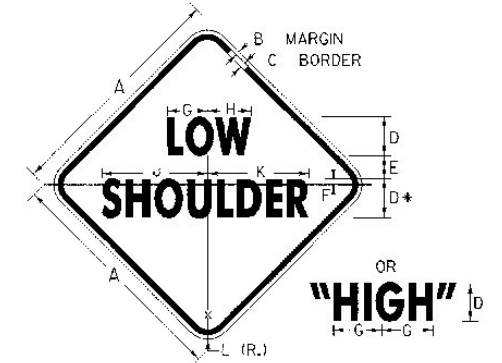
W8-3



W8-6



W8-8



W8-9

SIGN	DIMENSIONS (INCHES)										
	A	B	C	D	E	F	G	H	J	K	L
STD.	30	1/2	3/4	5 C	3	3/4	5 5/8	5 5/8	13 3/8	13 3/8	1 1/2
FWY.	48	3/4	1 1/4	8 C	5	1 1/4	8 1/4	8 1/4	9	2 1/2	20 3/8

NOTES

SEE STANDARD SHEET E-100 FOR NOTES AND TEXT DETAILS
COLORS FOR SIGNS SHOWN ON THIS SHEET SHALL BE BLACK TEXT, BORDER AND SYMBOLS ON A REFLECTORIZED TYPE II B OR TYPE III ORANGE BACKGROUND, UNLESS OTHERWISE NOTED.

SIGNS USED ONLY FOR DAYTIME MAINTENANCE OPERATIONS DO NOT NEED TO BE REFLECTORIZED, HOWEVER, THESE SIGNS SHALL BE LABELED "DAYTIME USE ONLY" ON THE BACK OF THE SIGN PANEL WITH 3" SERIES C LETTERS.

OTHER STDS. E-100 REQUIRED:

(ALL DIMENSIONS SHOWN IN INCHES) LEFT LANE

REVISIONS AND CORRECTIONS

OCT. 30, 1987 - DATE OF ORIGINAL ISSUE
OCT. 21, 1992 - ADDED ADDITIONAL SIGN DIMENSIONS, REVISED CHEVRON BACKGROUND TO ORANGE, & REVISED TITLE BLOCK
AUG. 08, 1995 - ADDED AND DELETED VARIOUS SIGN DETAILS
MAR. 10, 1997 - REVISED SIGN DETAILS
May 30, 2003 - Superseded

APPROVED

[Signature]
DIRECTOR OF ENGINEERING

[Signature]
DIRECTOR OF CONSTRUCTION & MAINTENANCE

CONSTRUCTION SIGN DETAILS



STANDARD E-101