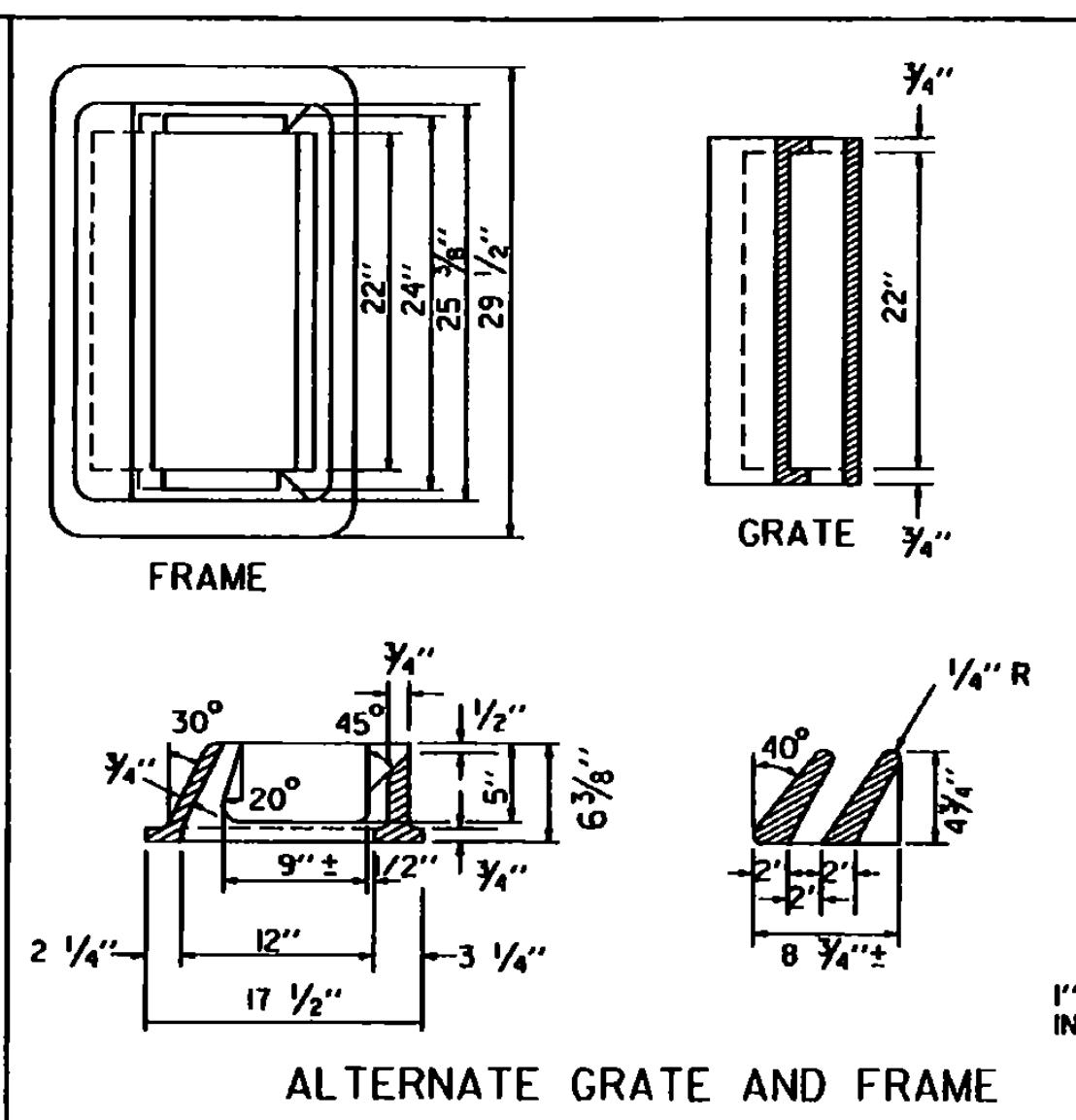


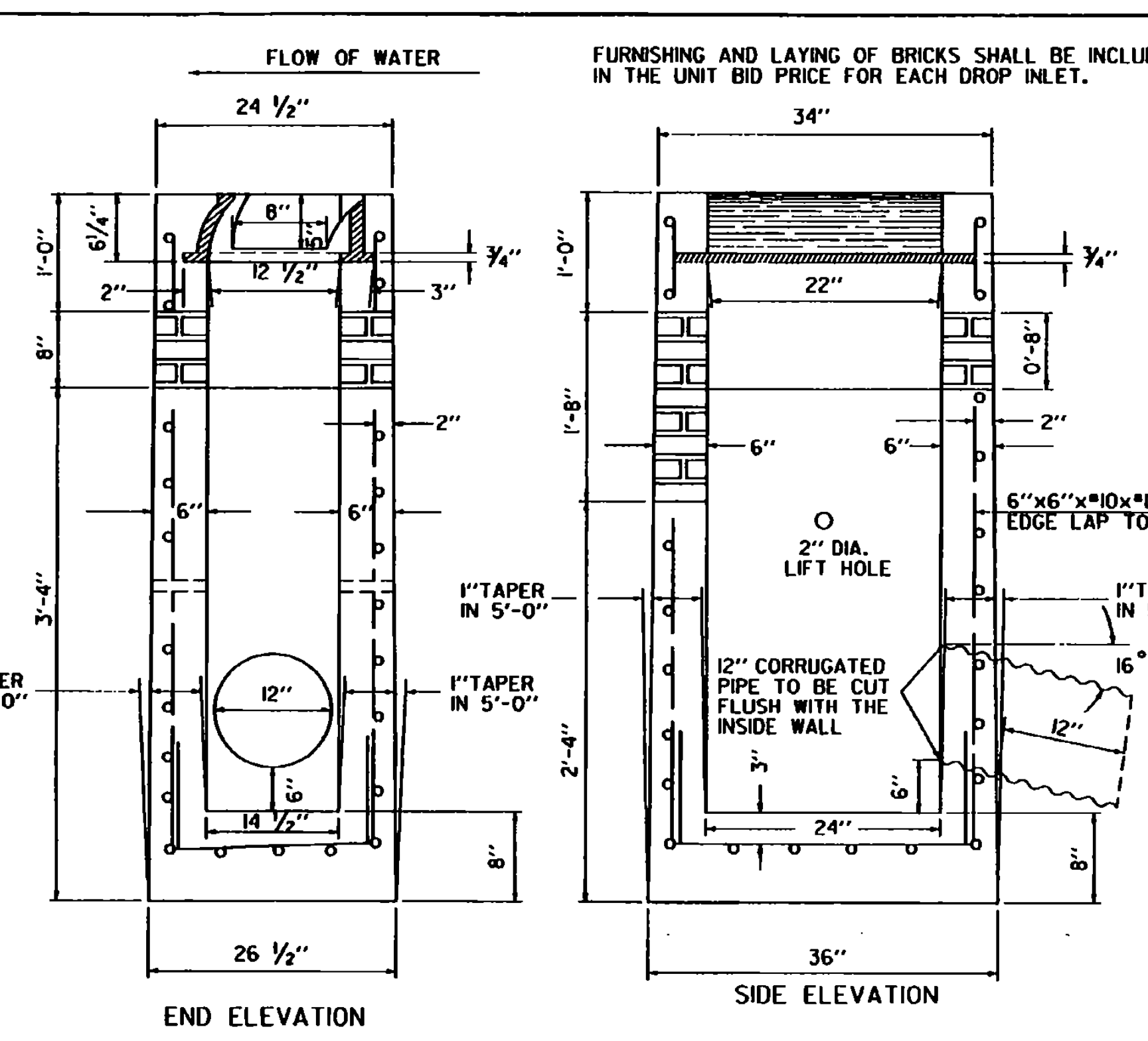
BASIC DIMENSIONS

A	B	C	D	E	F	G	H	DIAMETER	SLOPE	R	R ₂	RATIO	L
12"	2"	48 1/2"	24"	24"	4"	19 3/8"	13"	2.7 ± 1	10 1/8"	9"	1.92	6'-0 3/4"	
18"	2 1/2"	46"	27"	24"	4"	19 1/2"	13"	2.7 ± 1	10 1/8"	9"	1.88	6'-0"	
24"	3"	30"	43 1/2"	48"	9 1/2"	33 3/8"	25"	2.8 ± 1	15 1/2"	14"	1.58	6'-0 1/2"	
30"	3 1/2"	19 1/2"	54"	60"	12"	37"	31"	2.8 ± 1	16 1/2"	15"	1.41	6'-0 1/2"	
36"	4"	34 1/2"	63"	72"	15"	47 1/8"	37"	2.8 ± 1	24 1/2"	20"	1.50	8'-0 1/2"	
42"	4 1/2"	35"	63"	78"	21"	53 1/8"	43"	2.9 ± 1	27 1/2"	22"	1.46	8'-2"	
48"	5"	26"	72"	87"	24"	59 1/2"	49"	2.9 ± 1	30"	22"	1.40	8'-2"	

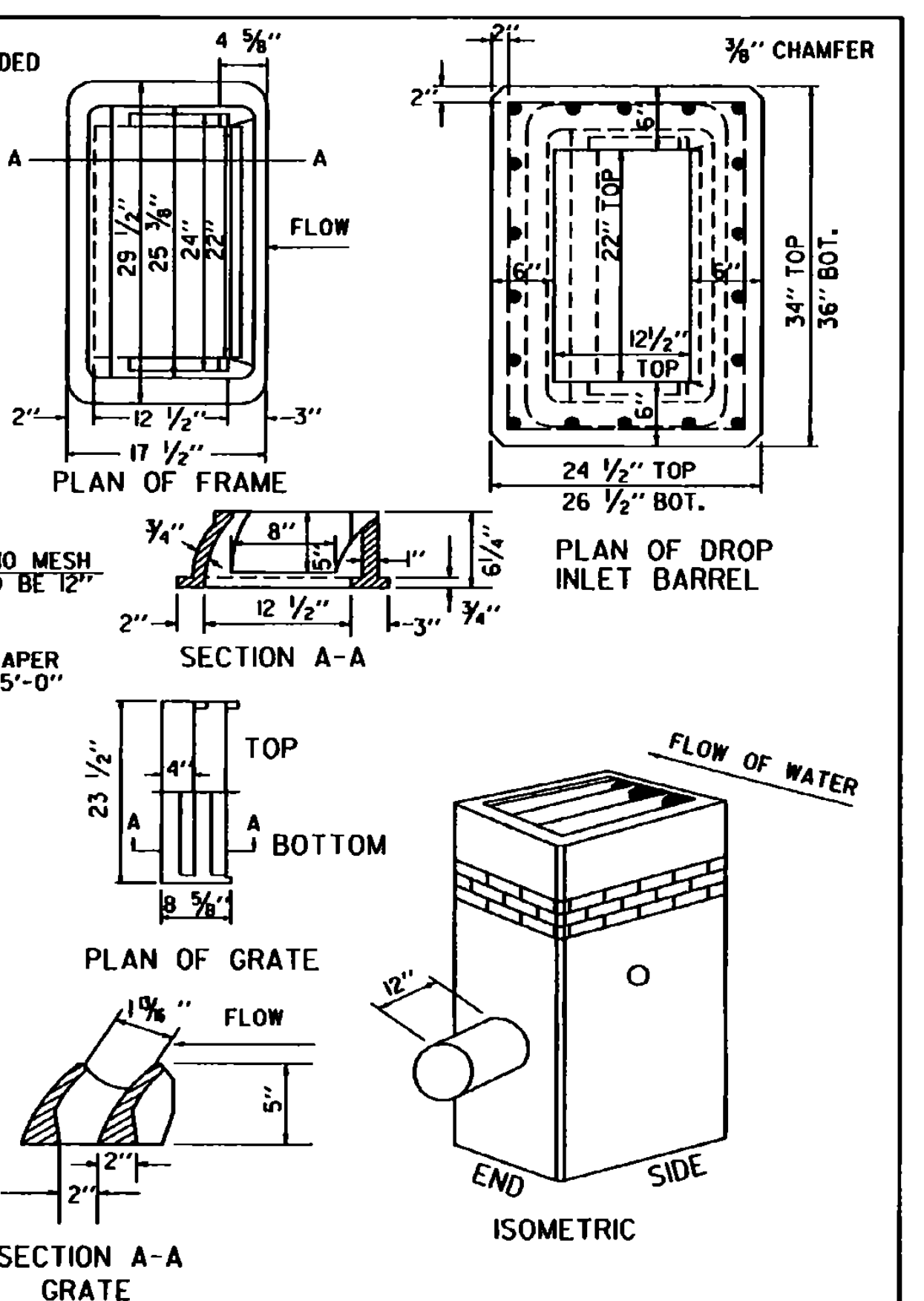


REINFORCED CONCRETE PIPE END SECTION

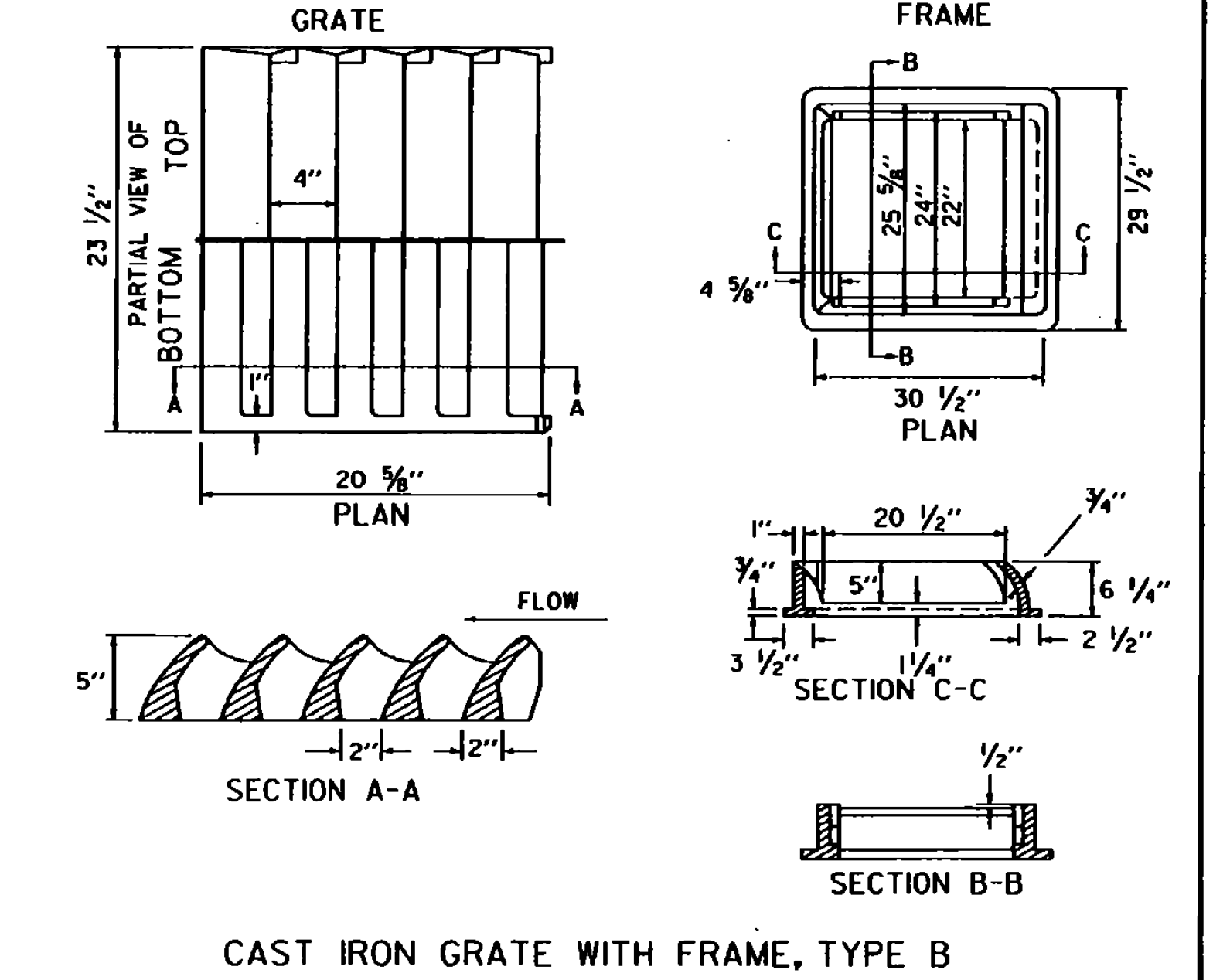
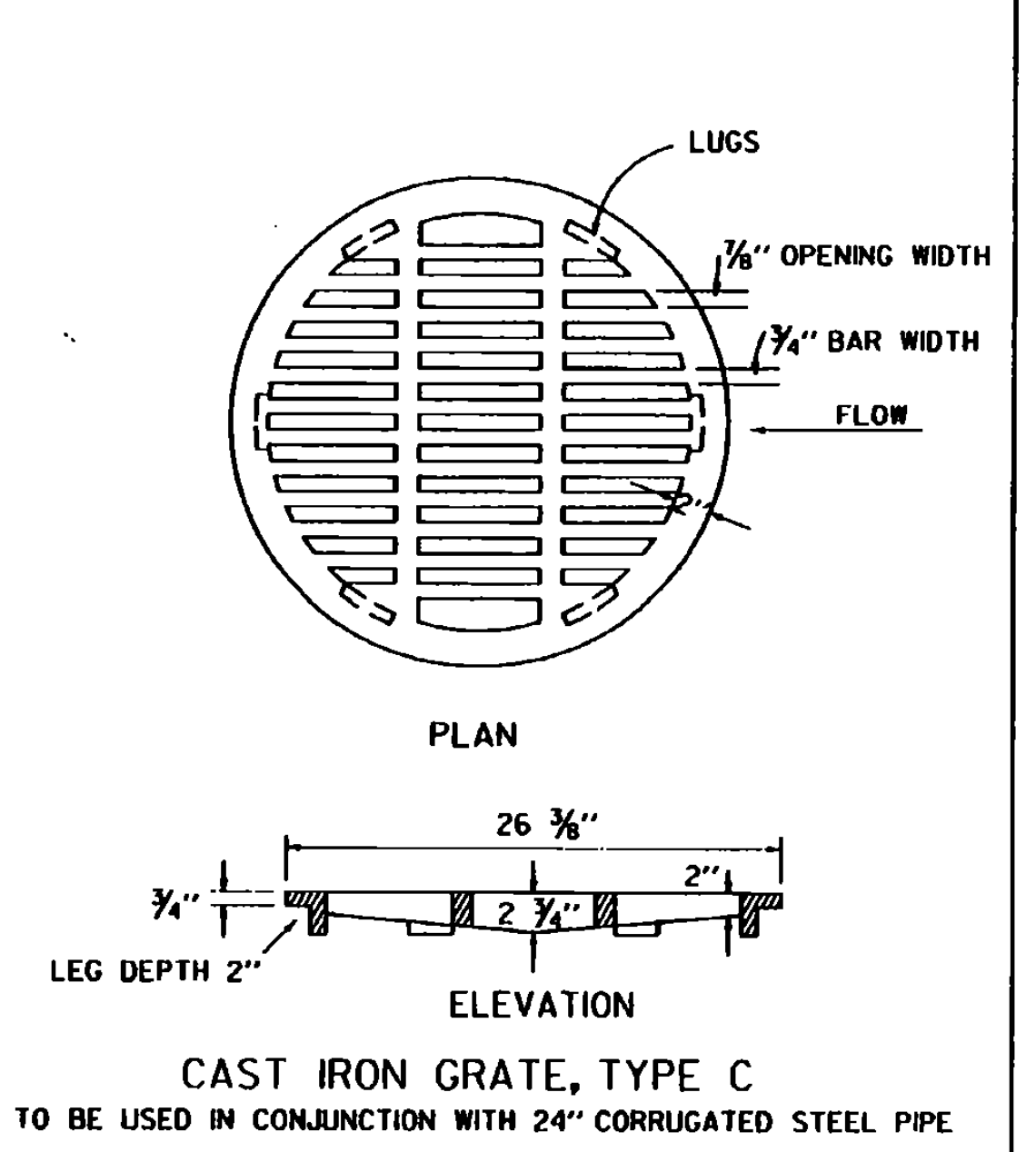
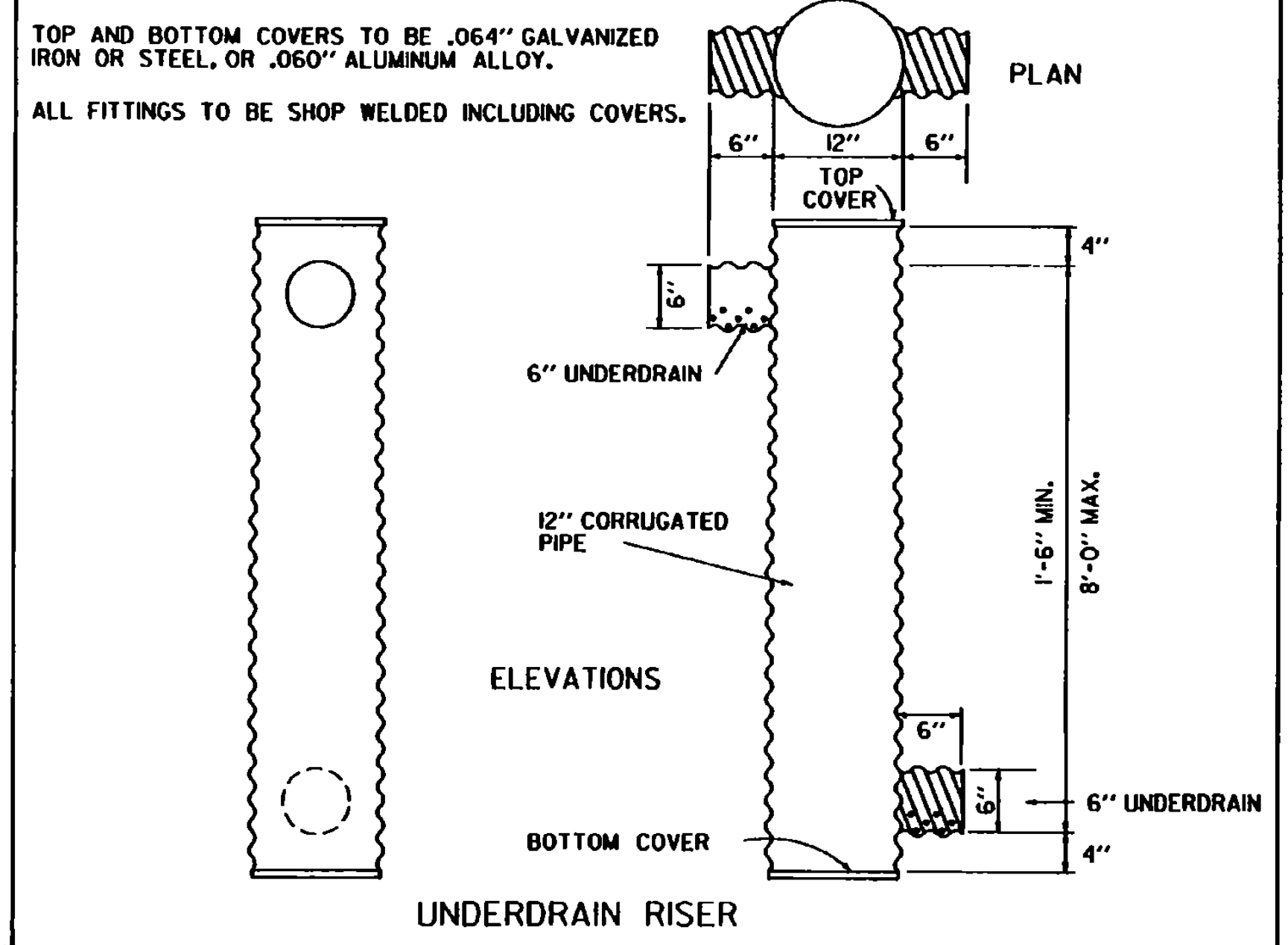
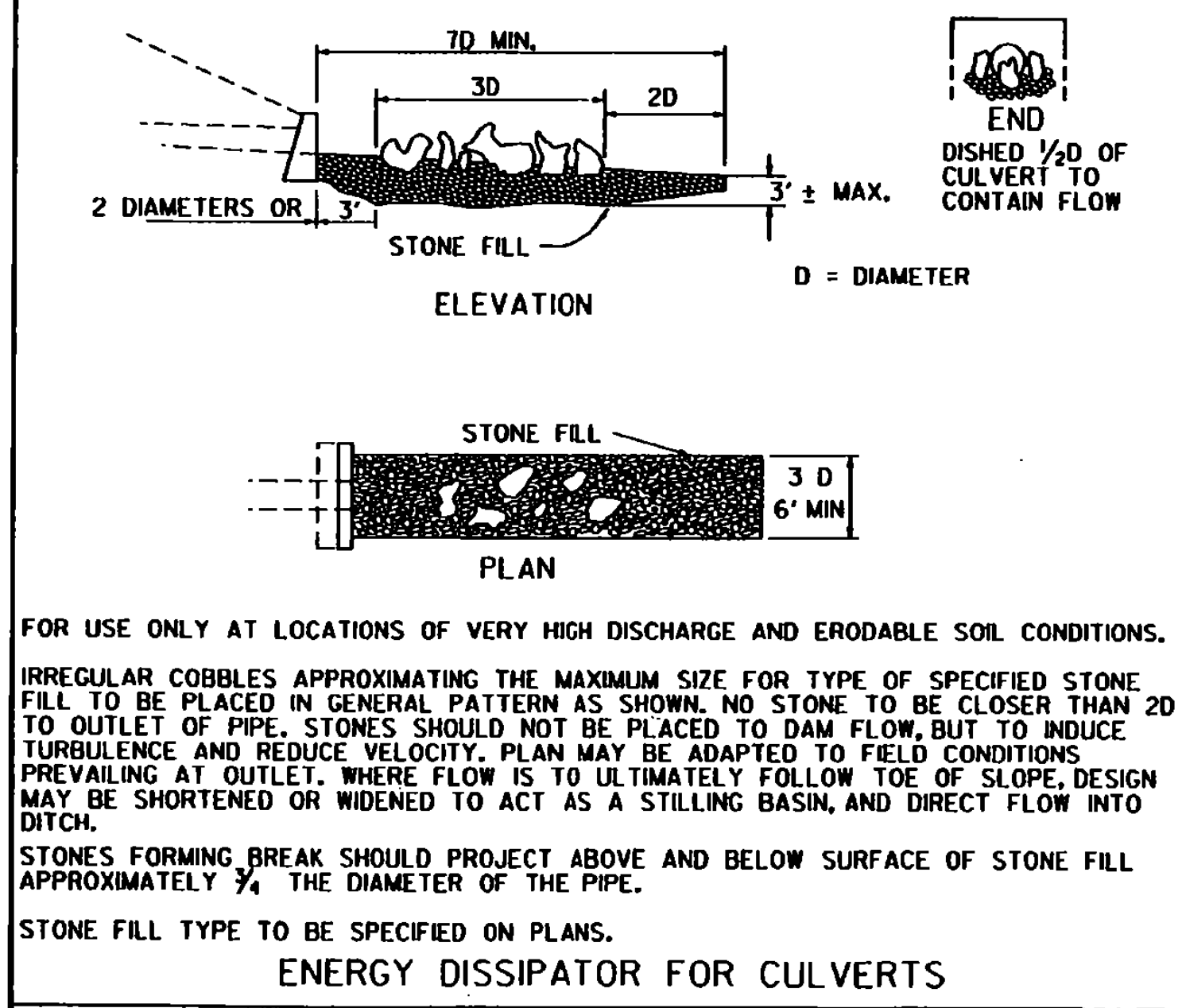
AREA-1 = AREA OF NOMINAL DIAMETER
AREA-2 = AREA THRU SECTION B-B



PRECAST REINFORCED CONCRETE CURB DROP INLET WITH CAST IRON GRATE



CAST IRON GRATE WITH FRAME, TYPE B



REVISIONS AND CORRECTIONS

DEC. 8, 1971 - ORIGINAL APPROVAL
NOV. 14, 1972 - RCP END SECTION DIMENSION VARIANCE NOTE ADDED
OCT. 30, 1985 - REVISED TO CONFORM WITH 1986 SPECIFICATIONS
JUNE 1, 1994 - REISSUED, WITHOUT CHANGE, UNDER NEW SIGNATURES.

APPROVED

APPROVED FOR THIS PROJECT AND/OR DESIGN IMPLEMENTATION. FHWA FINAL APPROVAL PENDING.

Donald P. MacArthur, P.E.
DIRECTOR OF ENGINEERING

John M. Murphy, P.E.
DESIGN ENGINEER

PRECAST REINFORCED CONCRETE CURB DROP INLET WITH CAST IRON GRATE

CAST IRON GRATE, TYPE B

CAST IRON GRATE, TYPE C

UNDERDRAIN RISER

REINFORCED CONCRETE PIPE END SECTION

ENERGY DISSIPATOR FOR CULVERT

VERMONT AGENCY OF TRANSPORTATION

STANDARD D-16