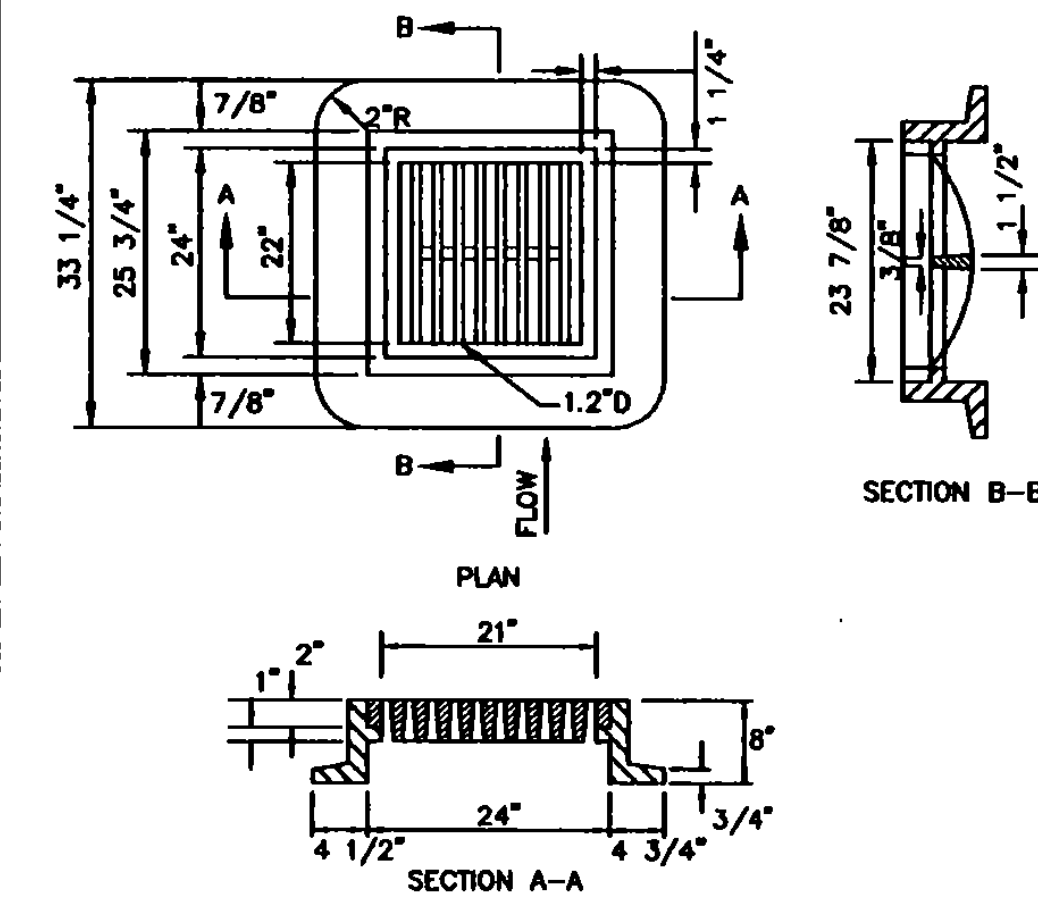
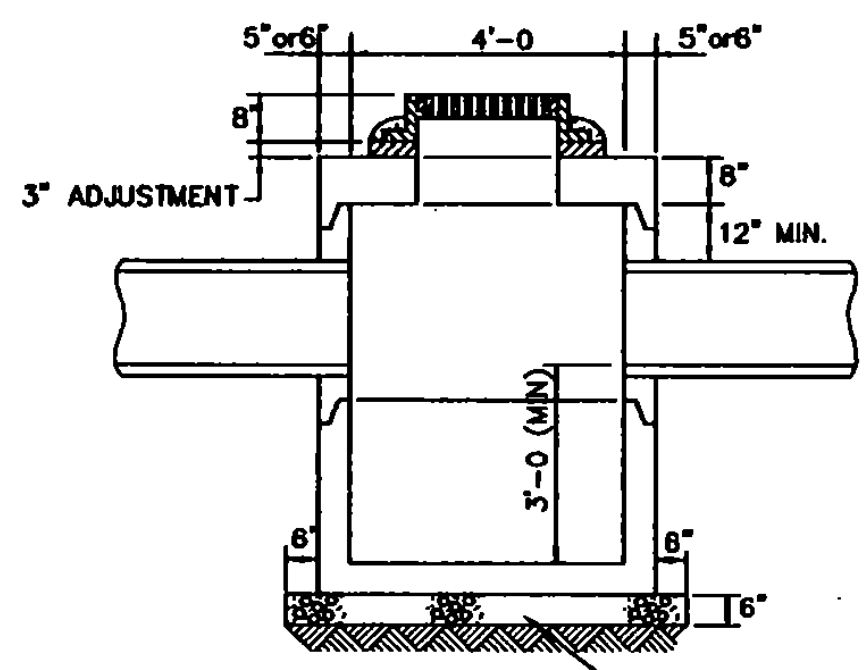


STRAW OR HAY BALE BARRIER
NOT TO SCALE



GRATE & FRAME DETAIL
NOT TO SCALE

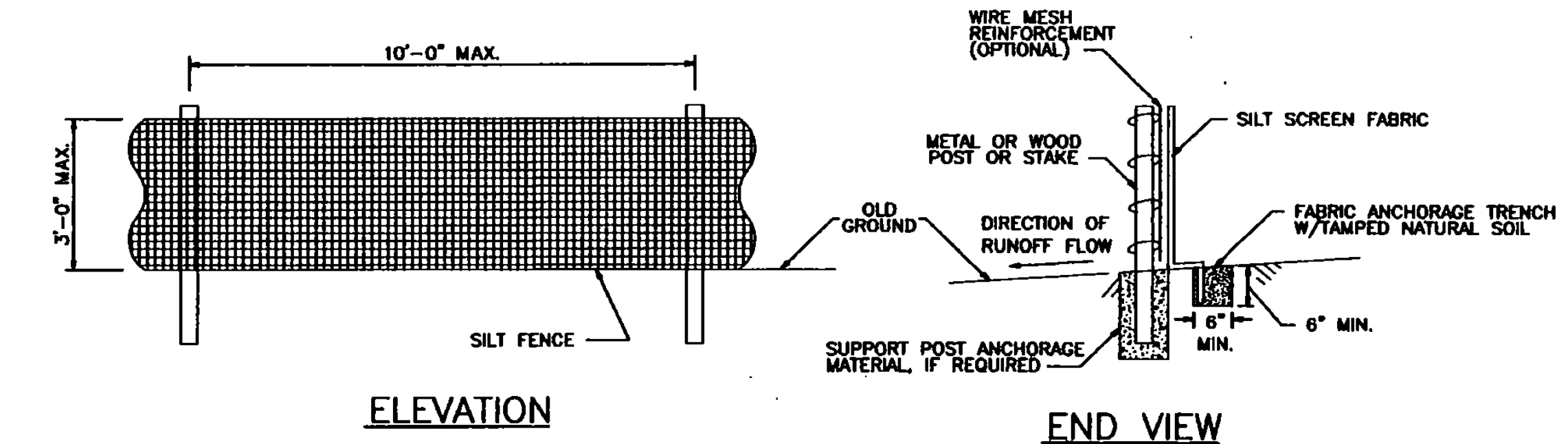
- NOTES:**
- GRATES AND FRAMES TO BE CAST IRON, TYPE A AND SHALL MEET VAOT SPECIFICATION 604.10
 - SUPPLIER SHALL CERTIFY THAT THE GRATE/FRAME ARE CAPABLE OF SUPPORTING 28,500 LB. WHEEL LOAD.



TYPICAL CATCH BASIN
NOT TO SCALE

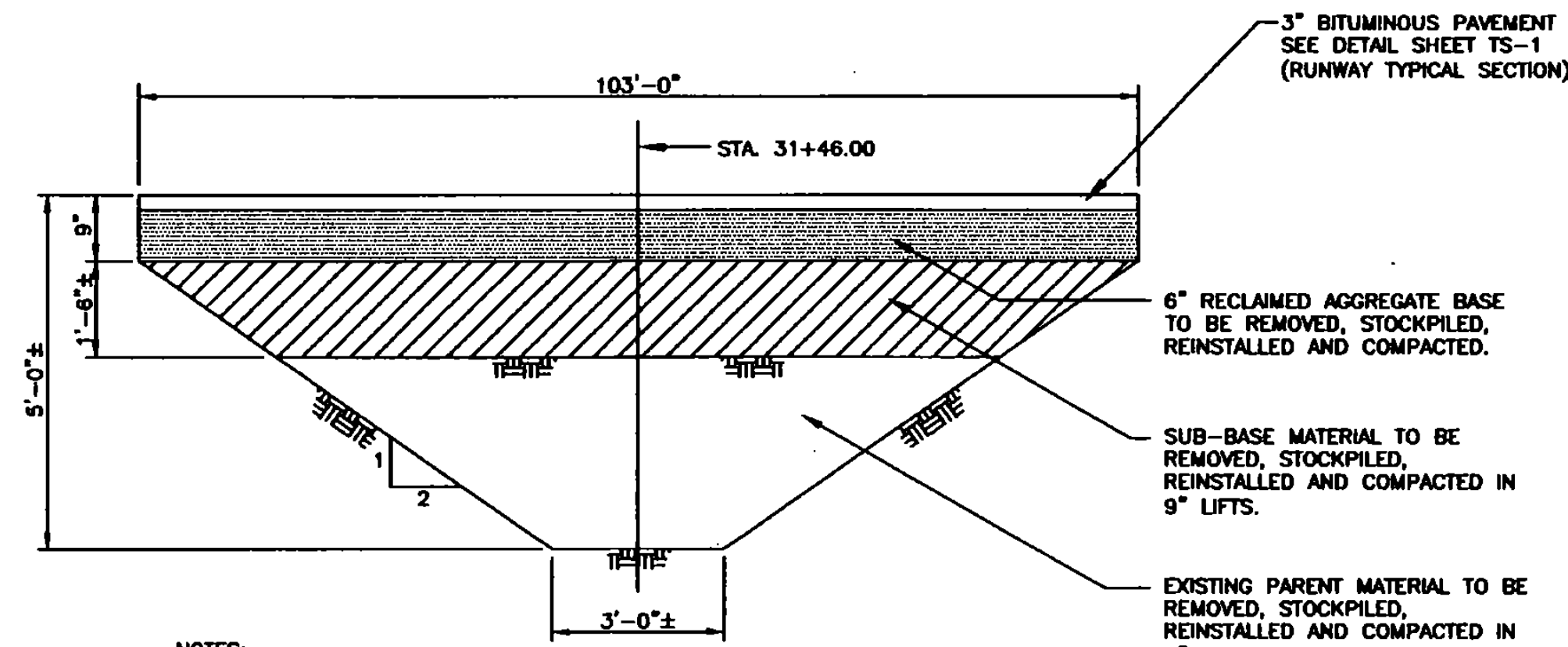
- NOTES:**
- PRECAST WALLS AND BASES SHALL MEET VAOT SPECIFICATION 604.10
 - PRECAST REINFORCED CONCRETE TOP, BASE, AND RISER SECTIONS SHALL MEET VAOT SPECIFICATION 604.10
 - SEE GRATE & FRAME DETAIL ABOVE.
 - SEE PLANS FOR PIPE INVERTS.

(EQUAL TO PIPE OPENING)
NOTE: BAFFLE OPEN = 5.0 SQUARE FEET



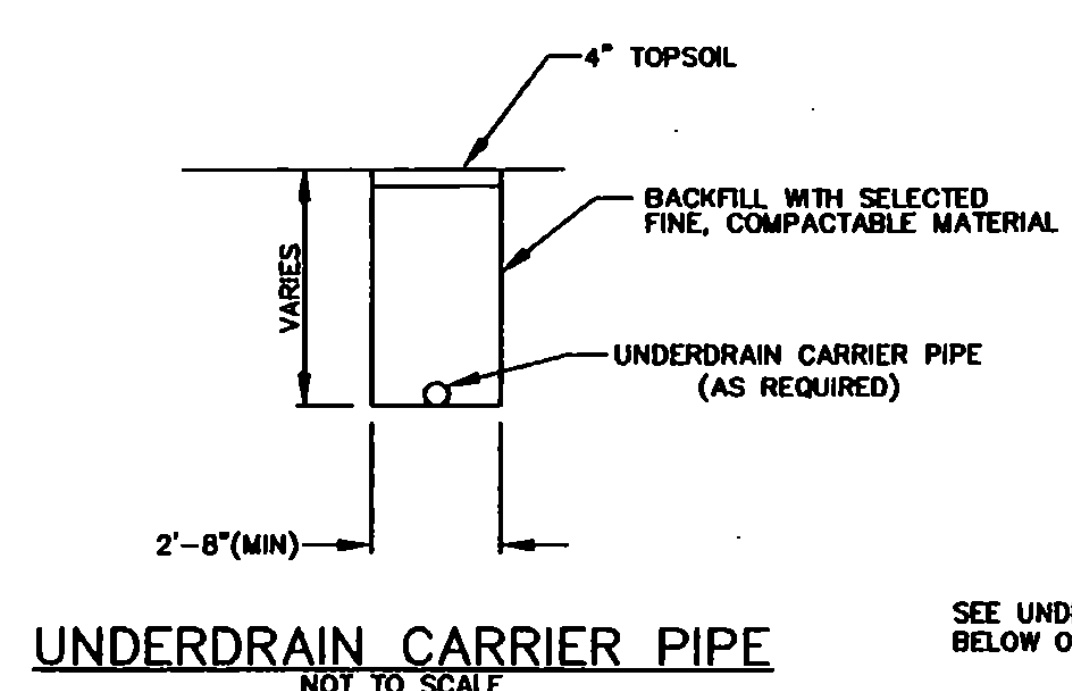
ELEVATION
SILT FENCE
NOT TO SCALE

- NOTES:**
- SILT FENCE SHALL CONSIST OF AN APPROVED PREFABRICATED SILT FENCE WITH FABRIC ATTACHED TO POSTS AND SHALL BE ASSEMBLED IN THE FIELD ACCORDING TO THE MANUFACTURER'S INSTRUCTIONS. WIRE MESH REINFORCEMENT AND/OR CLOSER POST SPACING MAY BE ORDERED BY THE ENGINEER IN AREAS WHERE HIGH RUNOFF VOLUMES ARE ANTICIPATED, OR IN LOW SPOTS WHERE SEDIMENT WILL BE COLLECTED.
 - PRIOR TO BEGINNING EARTHWORK OPERATIONS AT LOCATIONS DIRECTED BY THE ENGINEER, SILT FENCE SHALL BE CONSTRUCTED ALONG THE TOE OF PROPOSED EMBANKMENT SLOPES AT THE LIMITS OF CLEARING.

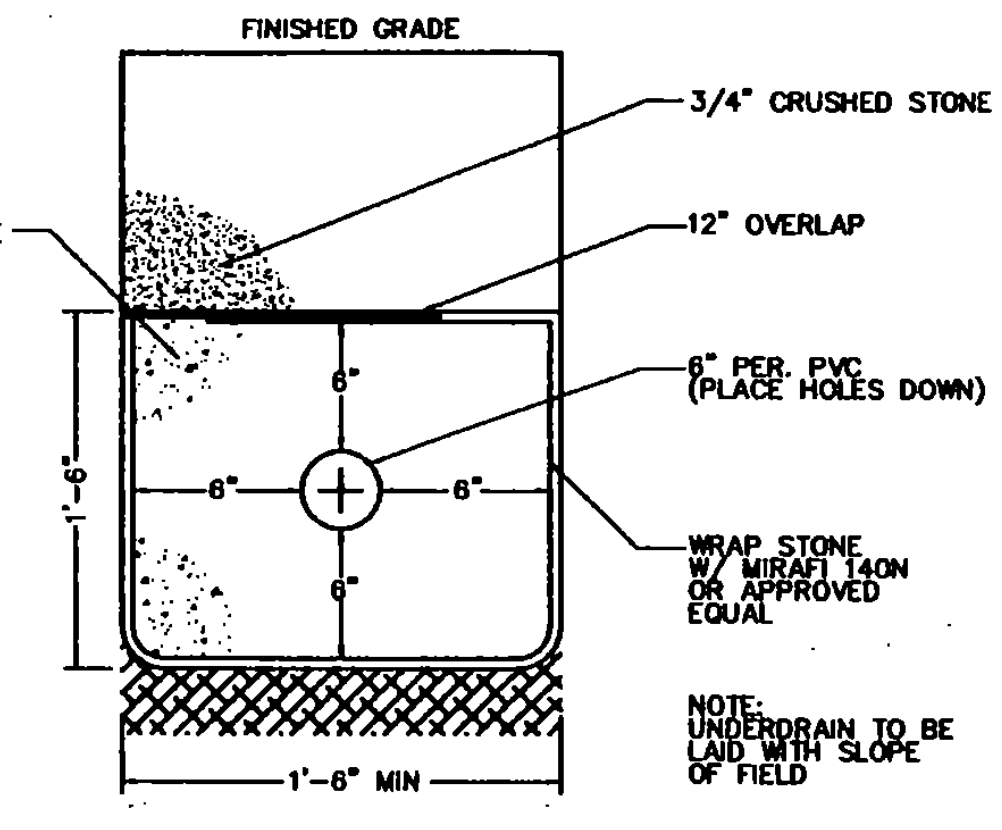


PAVEMENT REPAIR DETAIL
NOT TO SCALE

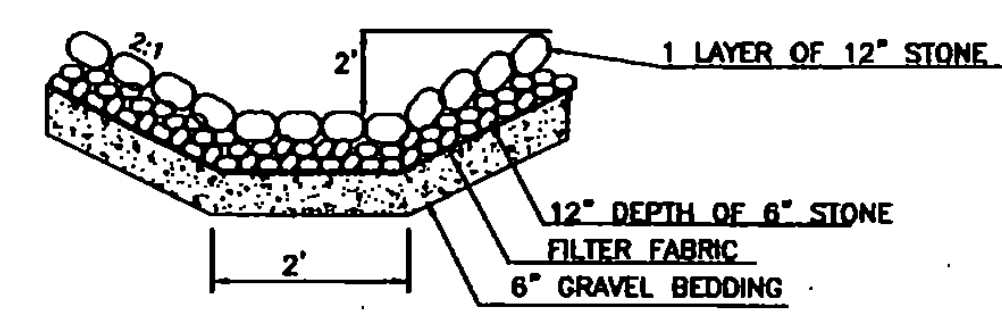
- NOTES:**
- PAVEMENT REPAIR TO BE DIRECTED BY ENGINEER
 - ALL EXCAVATION AND BACKFILL PAID FOR UNDER UNCLASSIFIED EXCAVATION.



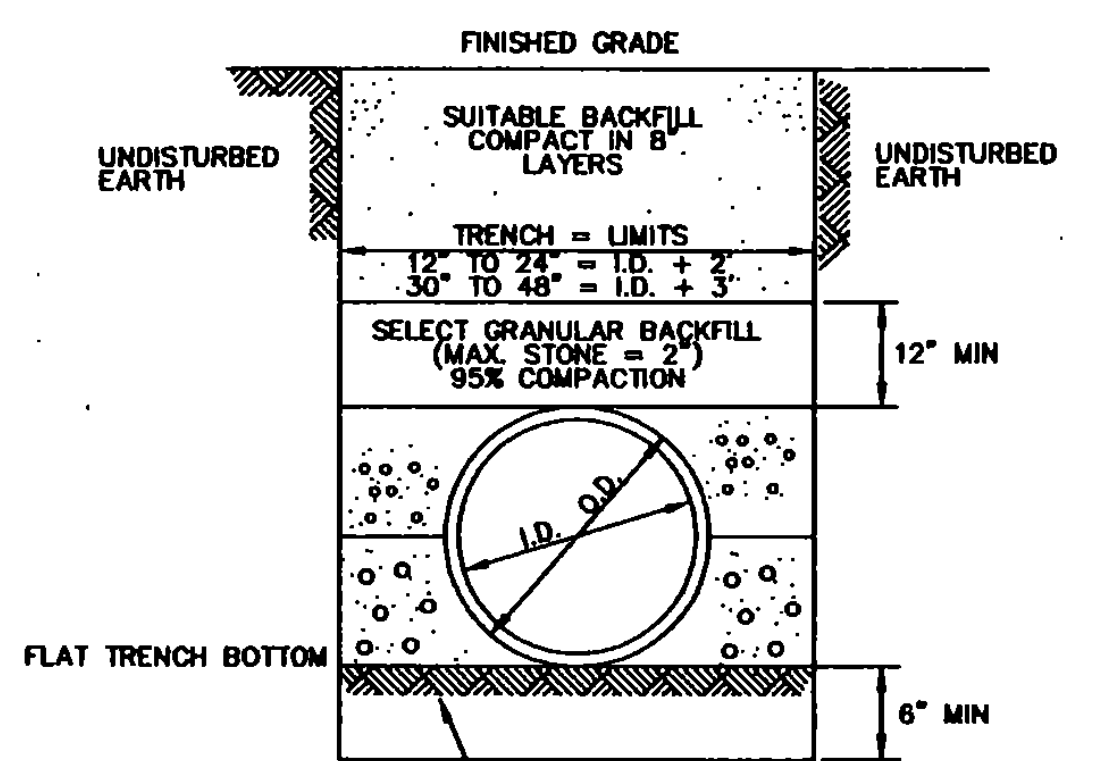
UNDERDRAIN CARRIER PIPE
NOT TO SCALE



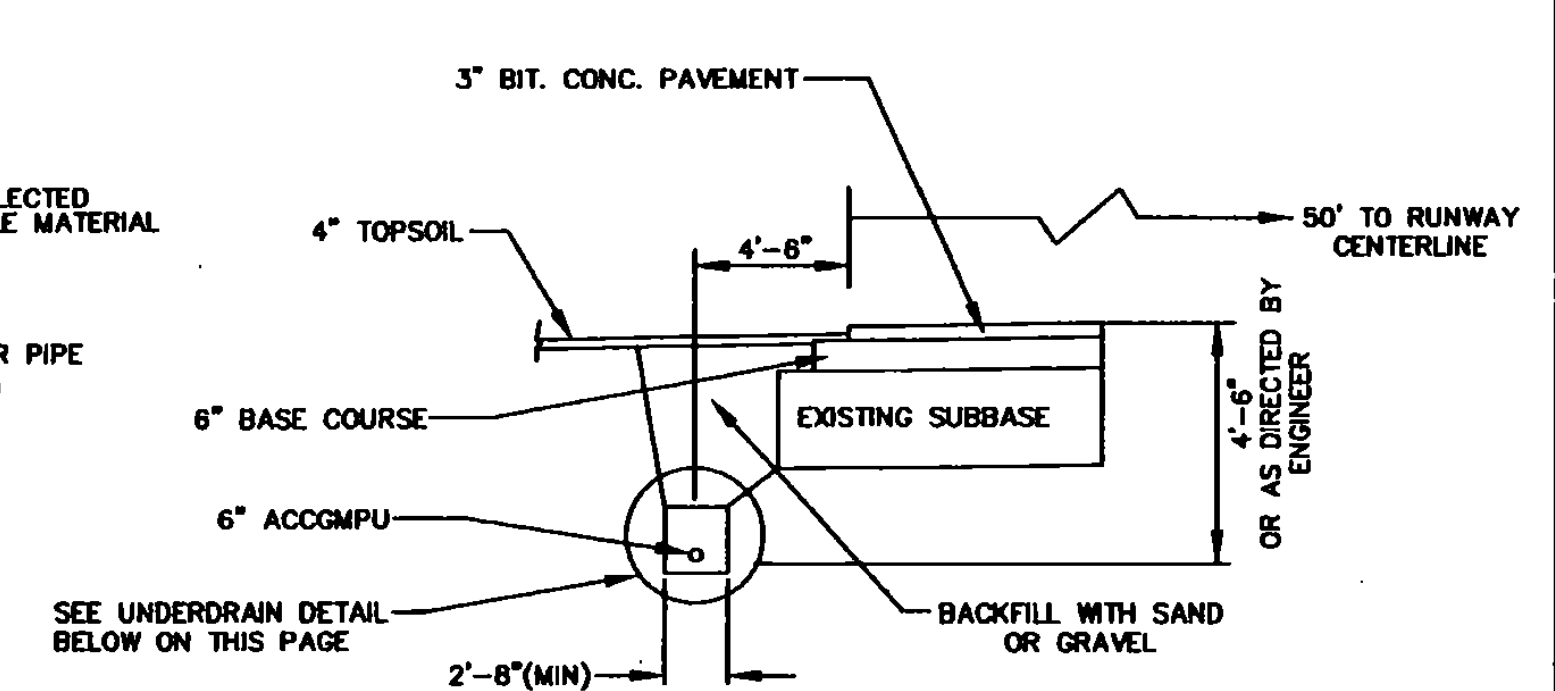
UNDERDRAIN DETAIL
NOT TO SCALE



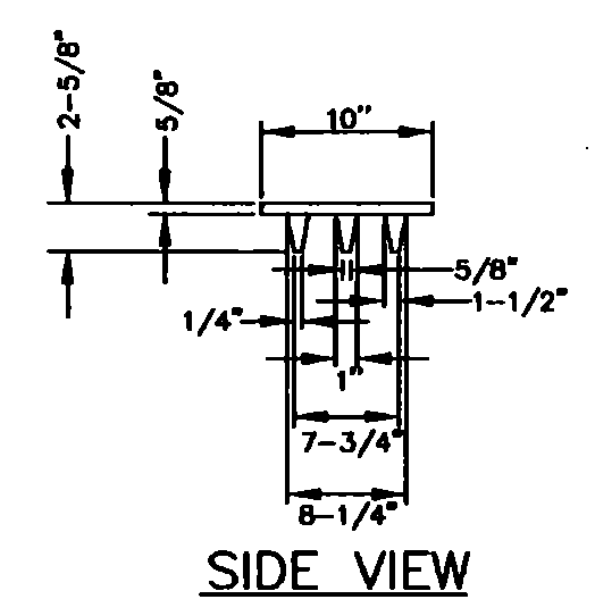
TYPICAL RIPRAP OUTLET
NOT TO SCALE



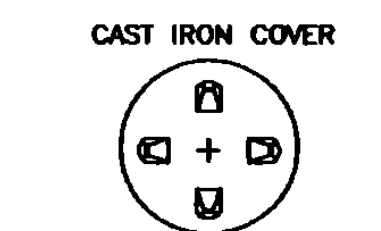
TYPICAL TRENCH DETAIL
NOT TO SCALE



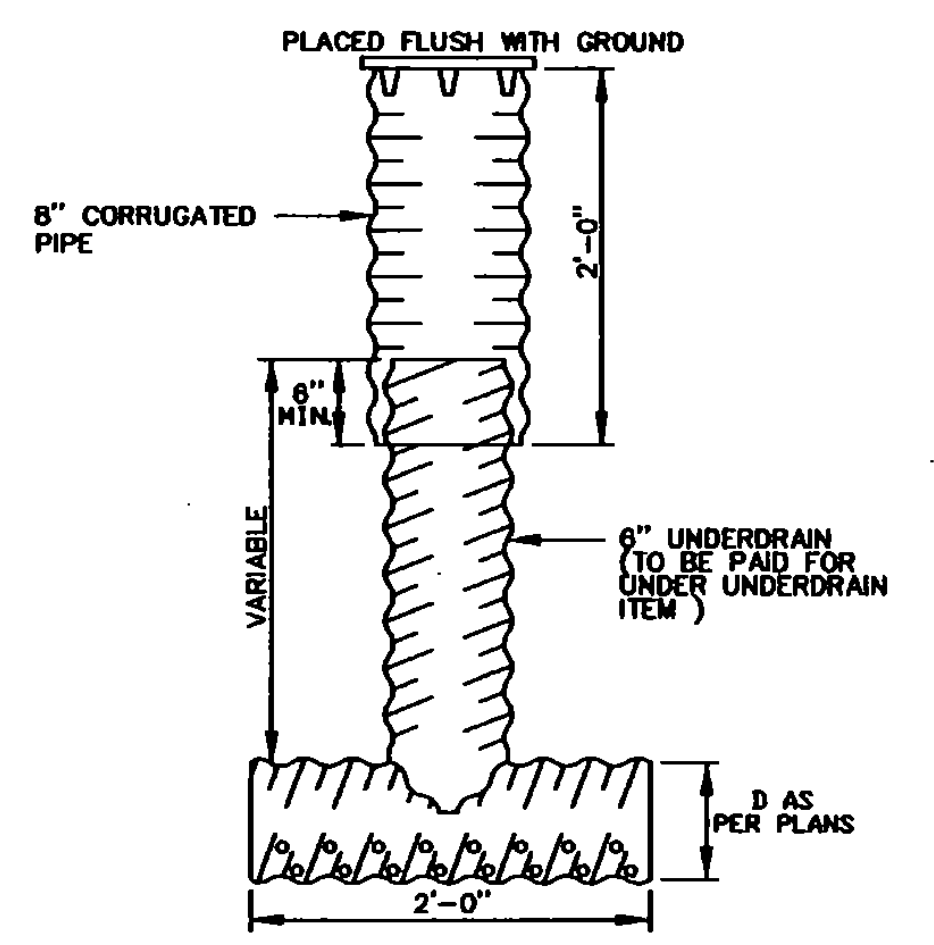
UNDERDRAIN SECTION
NOT TO SCALE



SIDE VIEW

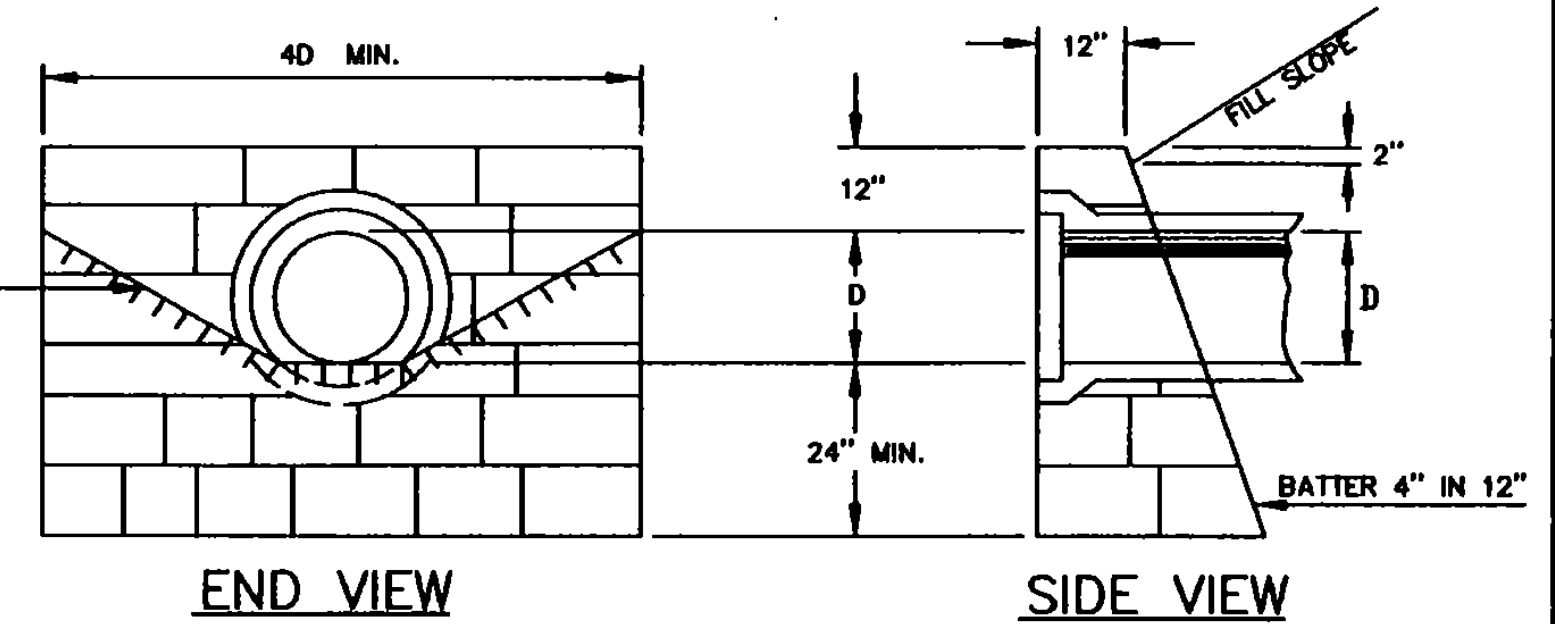


BOTTOM VIEW



UNDERDRAIN FLUSHING BASIN
NOT TO SCALE

FLUSHING BASINS AT BEGINNING OF LINE SHALL HAVE A 90° ELBOW RATHER THAN A T AS SHOWN ABOVE. (ELBOW TO BE PAID FOR UNDER UNDERDRAIN ITEM)



END VIEW

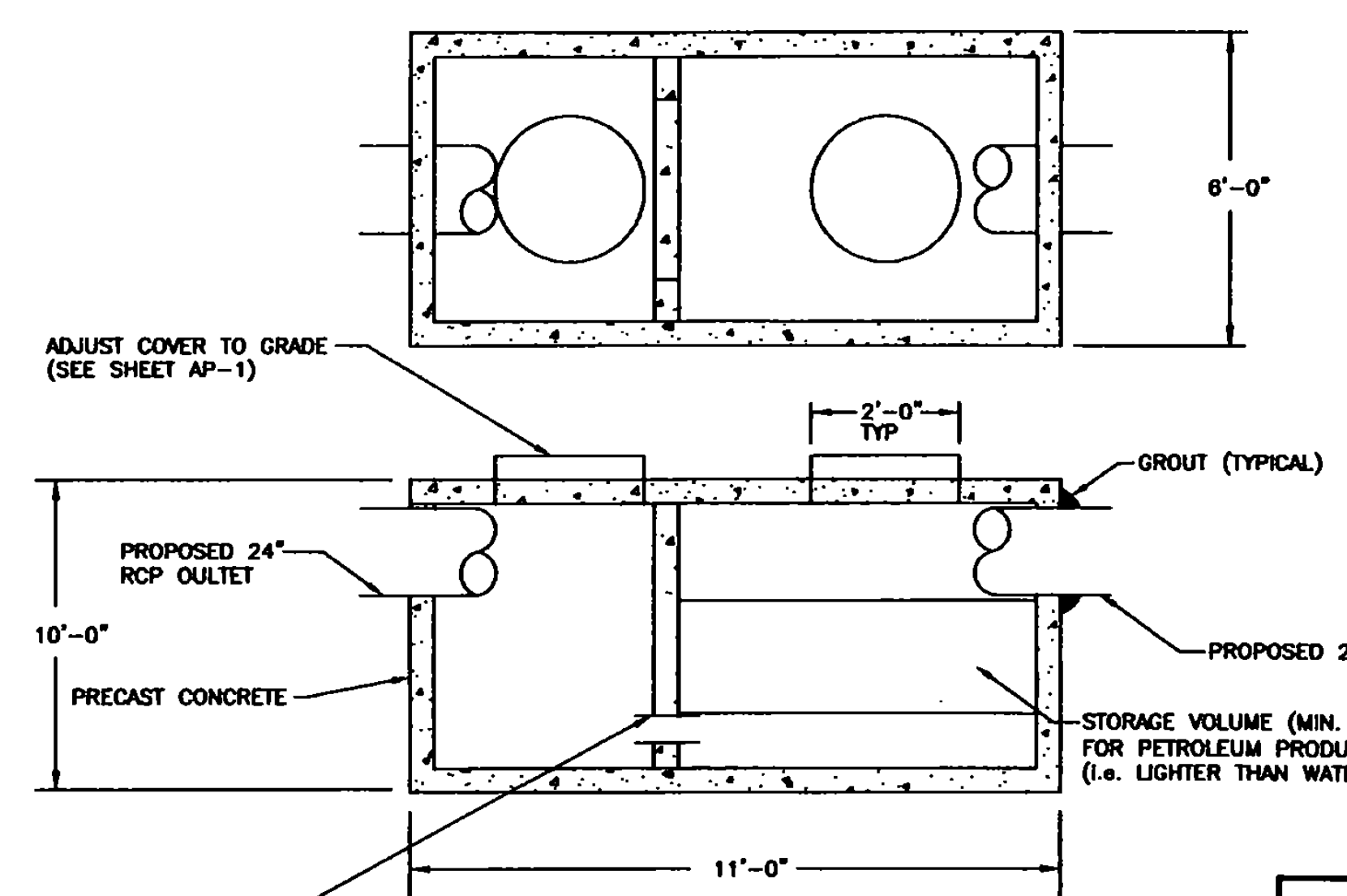
SIDE VIEW

QUANTITY SCHEDULE FOR CEMENT RUBBLE MASONRY

PIPE DIAMETER	12"	15"	18"	24"	30"	36"	42"	48"	54"	60"
C.R.M. QUANTITY	1.0	1.3	1.8	2.7	3.5	4.9	8.4	8.0	10.0	12.3

C.R.M. QUANTITIES EXCLUDE PIPE DIAMETERS FOR 30" AND OVER.
SAME DEDUCTION MADE FOR CONCRETE PIPE AS IS MADE FOR METAL PIPE.

CEMENT RUBBLE MASONRY STRAIGHT HEADWALL
NOT TO SCALE



GAS/OIL WATER SEPARATOR
NOT TO SCALE

NOTE: OVERALL DIMENSIONS OF TRAP TO BE 11'-0" L x 8'-0" W. x 10'-0" H.

NO.	DATE	REVISIONS	BY	CK'D
1	1/18/01	VAOT COMMENTS AND SURVEY ADJUSTMENTS	MDL	SUR

DuBois & King
engineering planning management development

VERMONT AGENCY OF TRANSPORTATION
COVENTRY, VERMONT
NEWPORT STATE AIRPORT
RUNWAY 18-36 RECONSTRUCTION
DRAINAGE & EROSION CONTROL
DETAILS

DRAWN BY: JJP
CHECKED BY: N15500
PROJ. ENG.: JAA
DATE: MAR. 2000
PROJ. NO.: N15500
DRAW. NO.: 1
SHEET DE-1