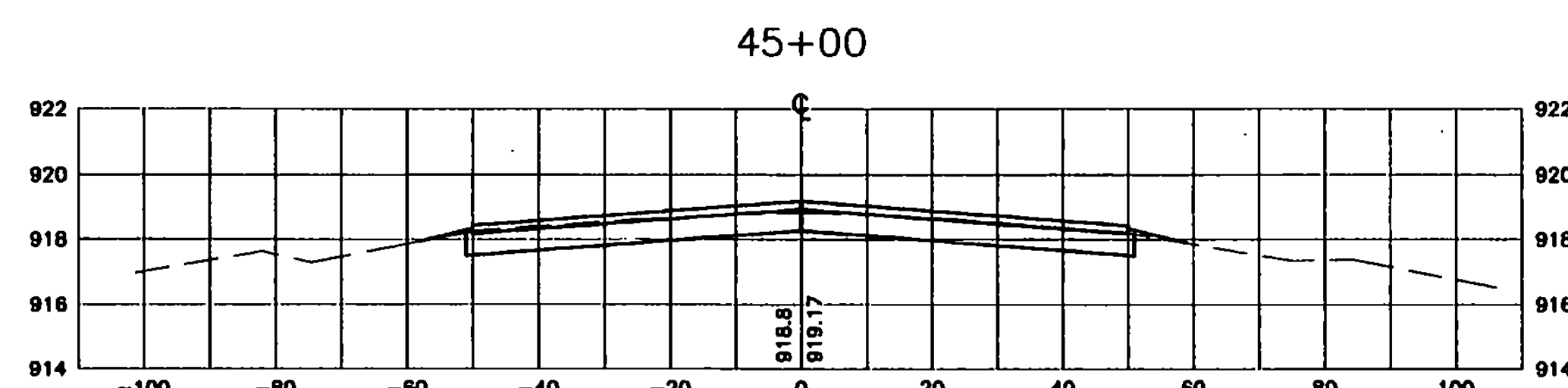
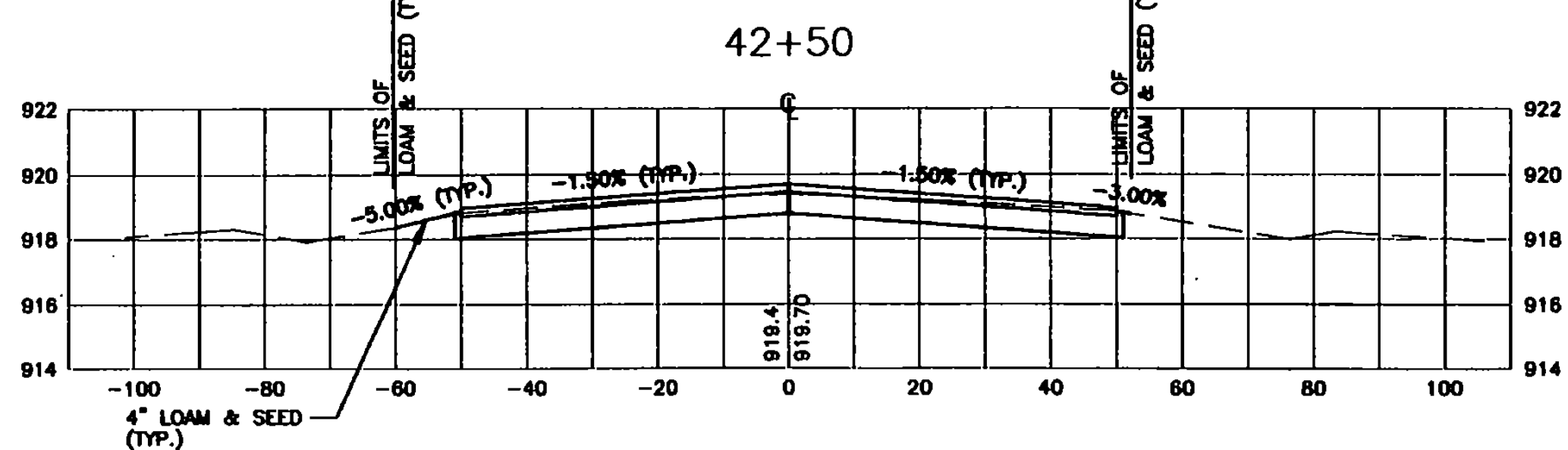
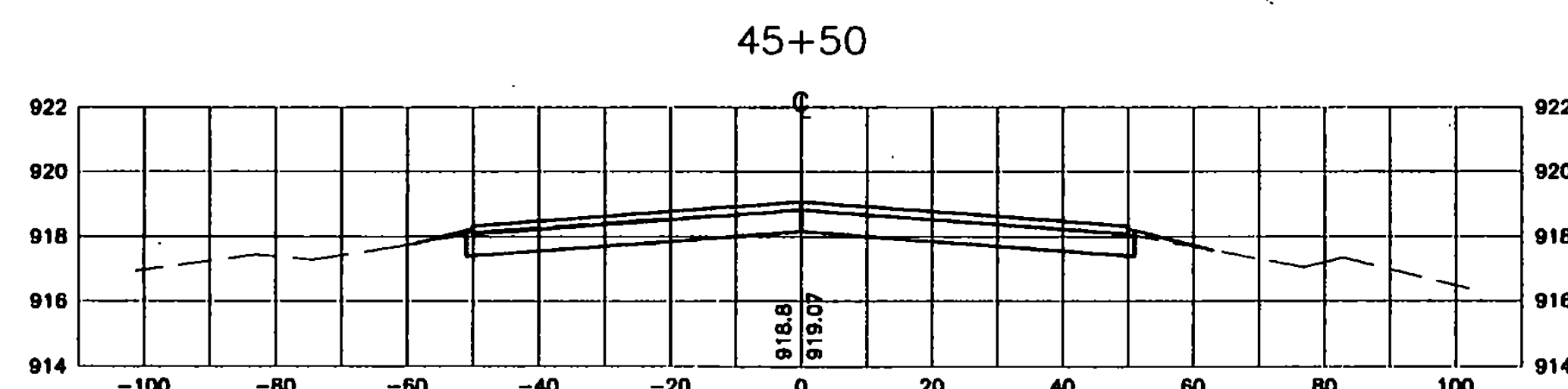
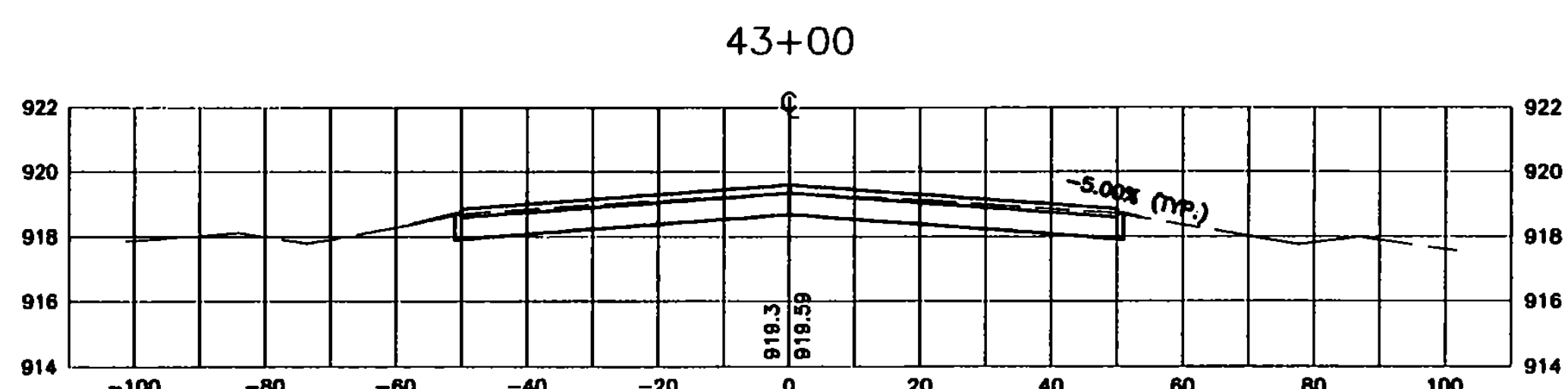
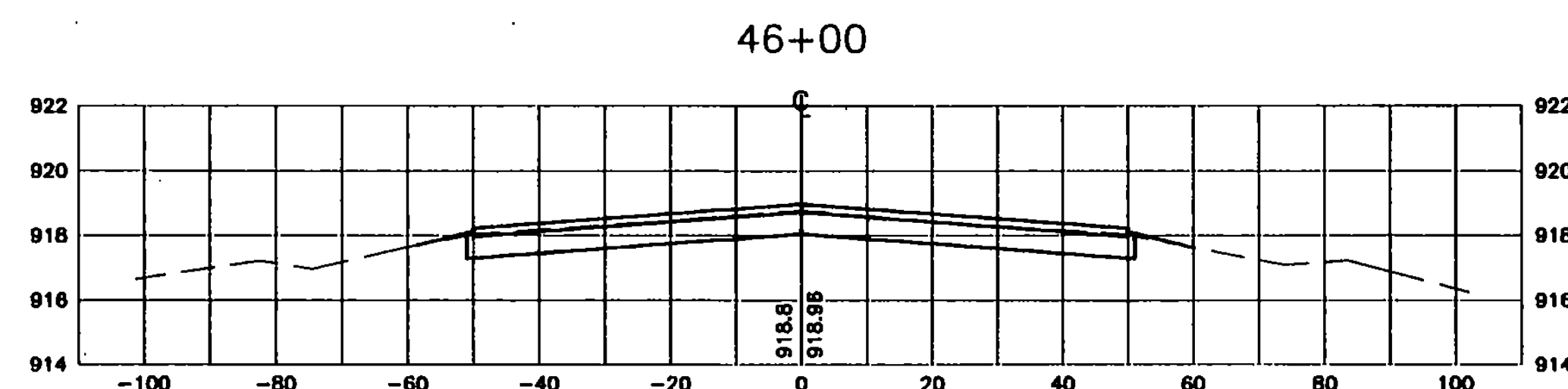
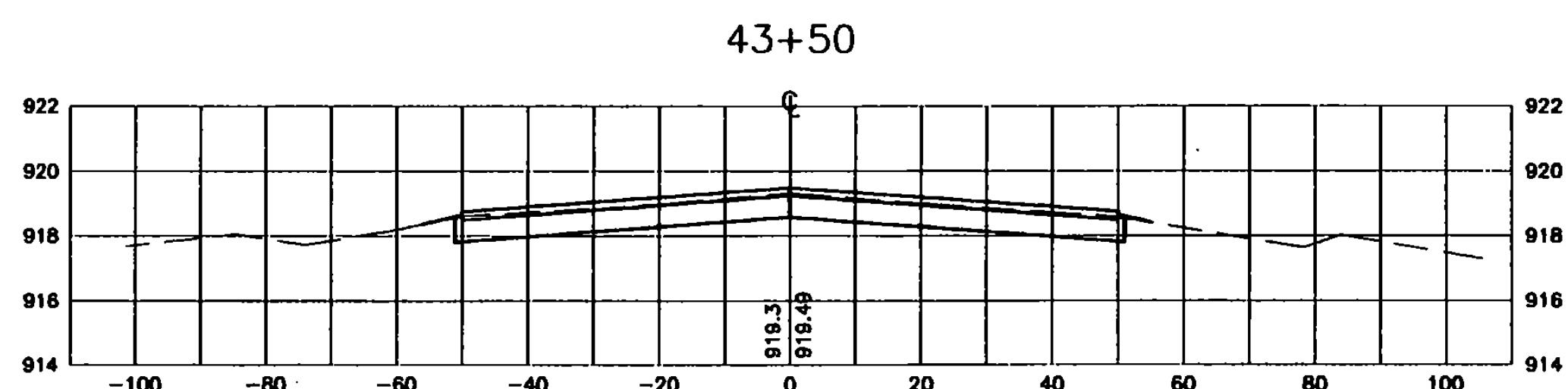
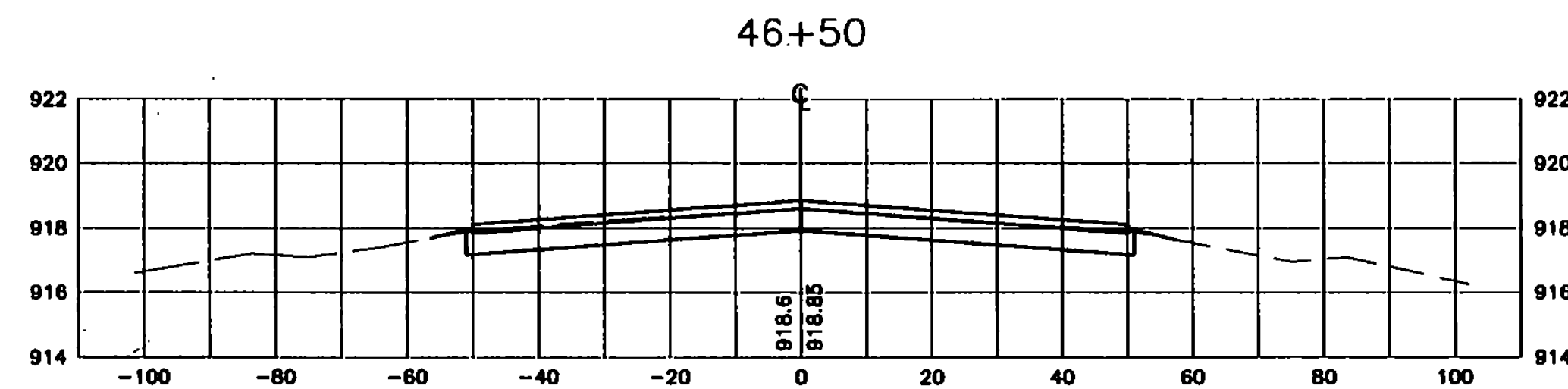
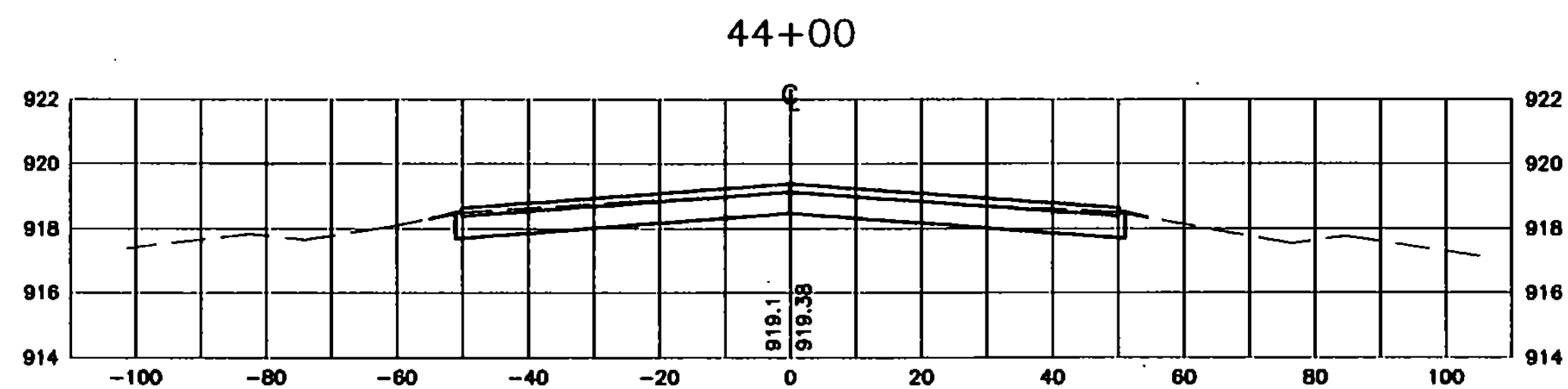
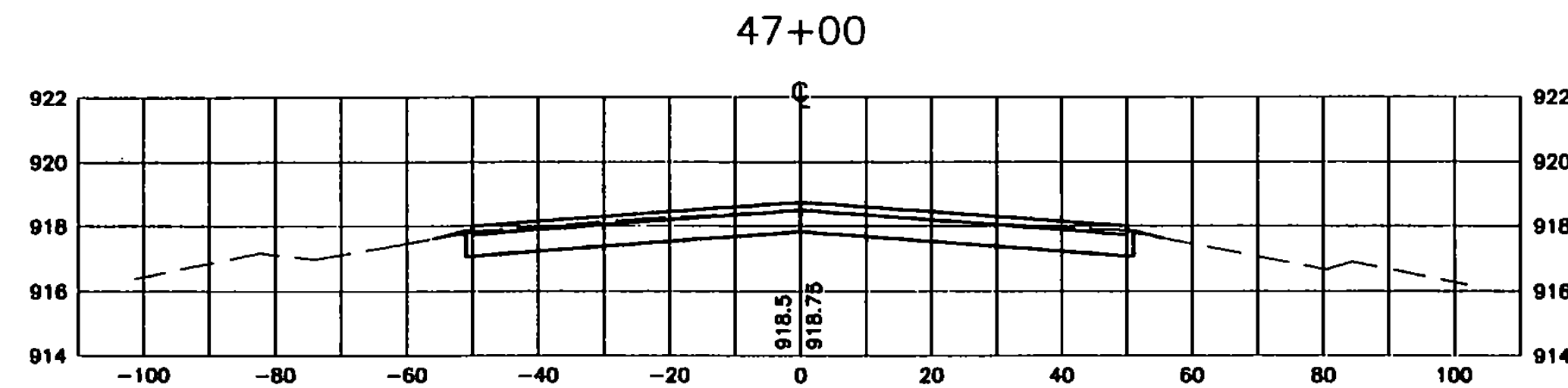
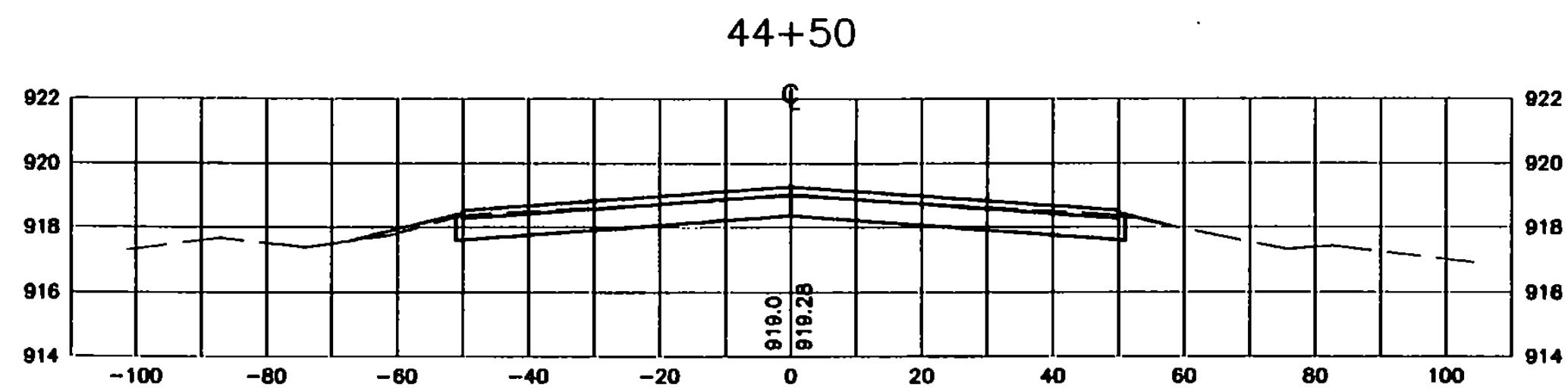
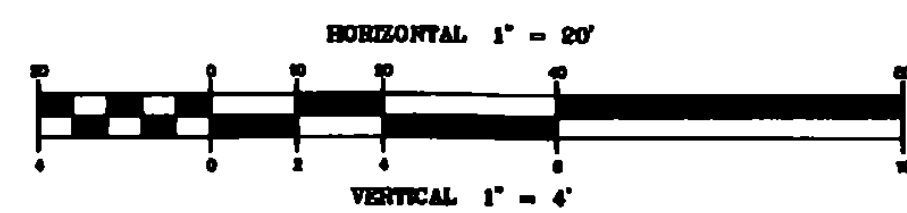


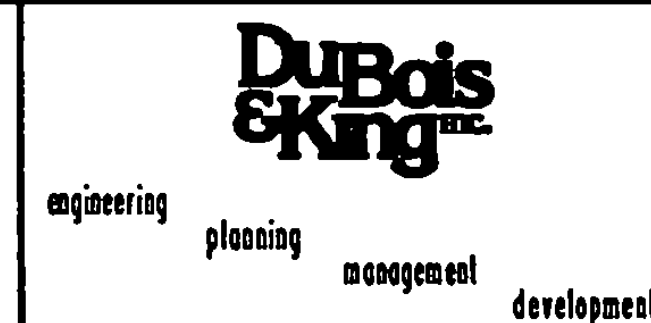
I:\1555002\1555002.dwg Fri Feb 02 11:35:40 2001



GRAPHIC SCALE



NO.	DATE	REVISIONS	BY	CK'D
1	1/18/01	VAOT COMMENTS AND SURVEY ADJUSTMENTS	MDL	SJR



VERMONT AGENCY OF
TRANSPORTATION
COVENTRY, VERMONT
NEWPORT STATE AIRPORT
RUNWAY 18-36 RECONSTRUCTION
CROSS SECTIONS RW 18-36
STA. 42+50 TO 47+00

DRAWN BY JJJ	DATE MAR. 2000
CHECKED BY	PROJ. NO. N15500
PROJ. ENG. JAA	DRAW. NO. 1
SHEET XS-7	