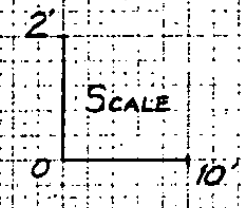
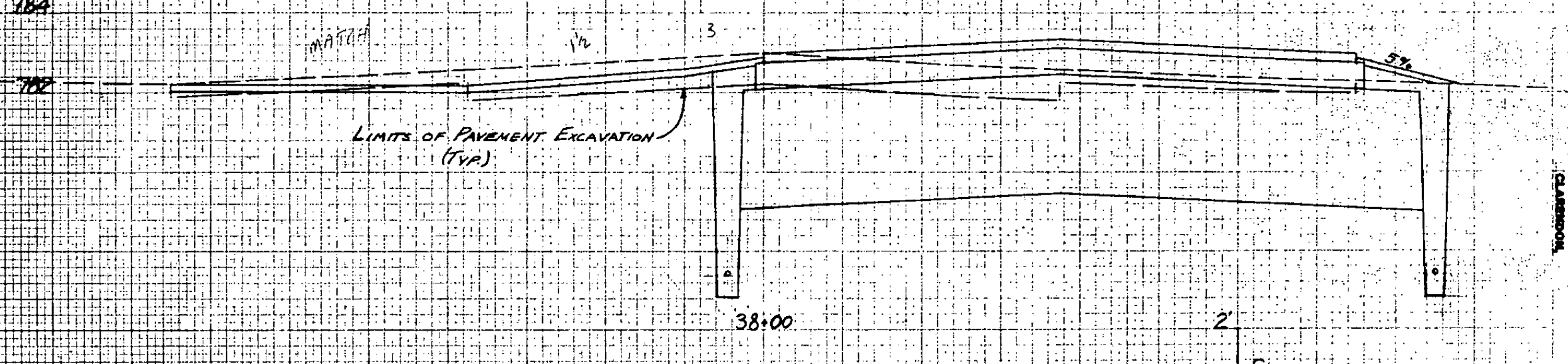
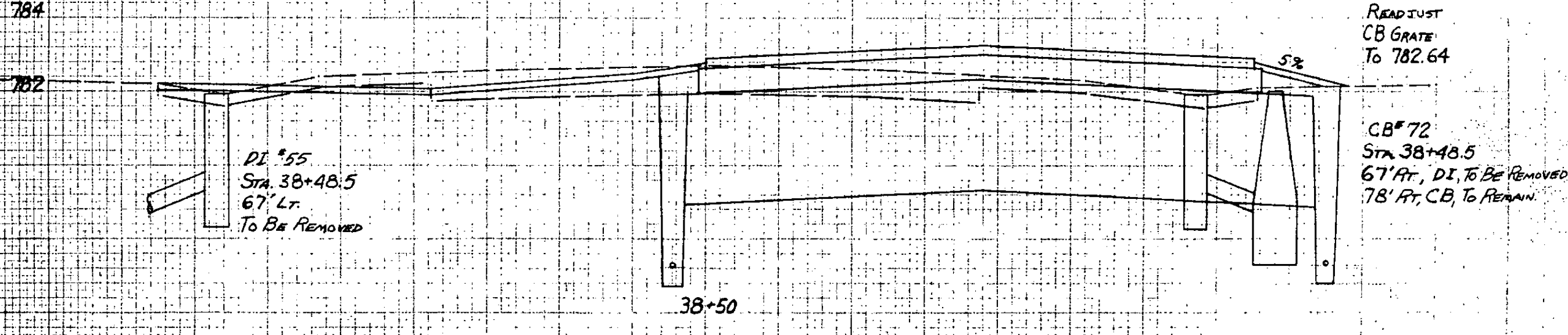
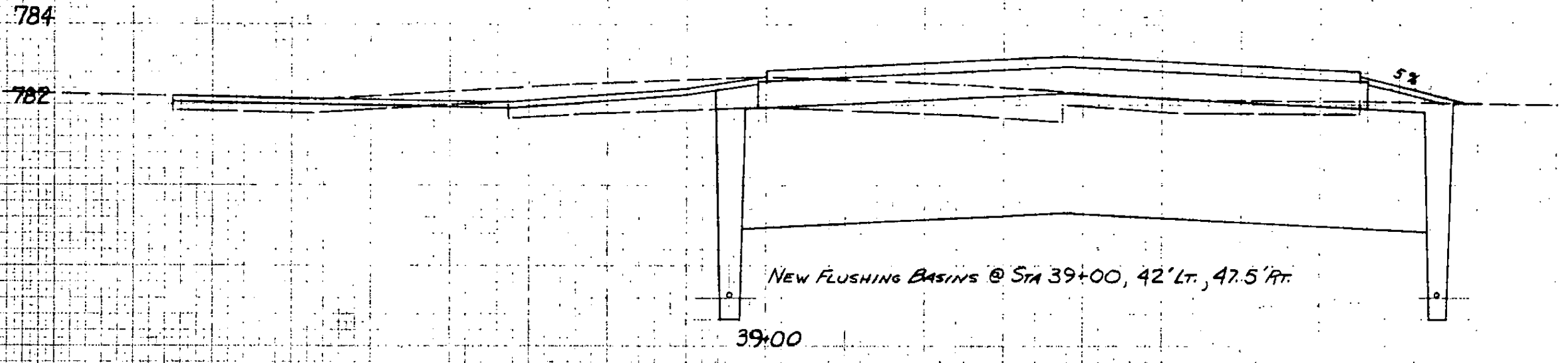
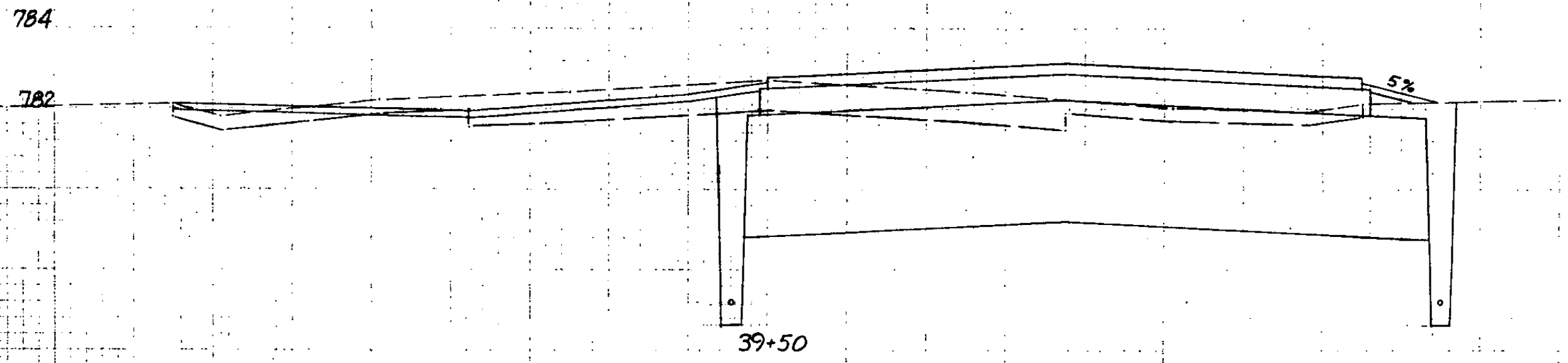
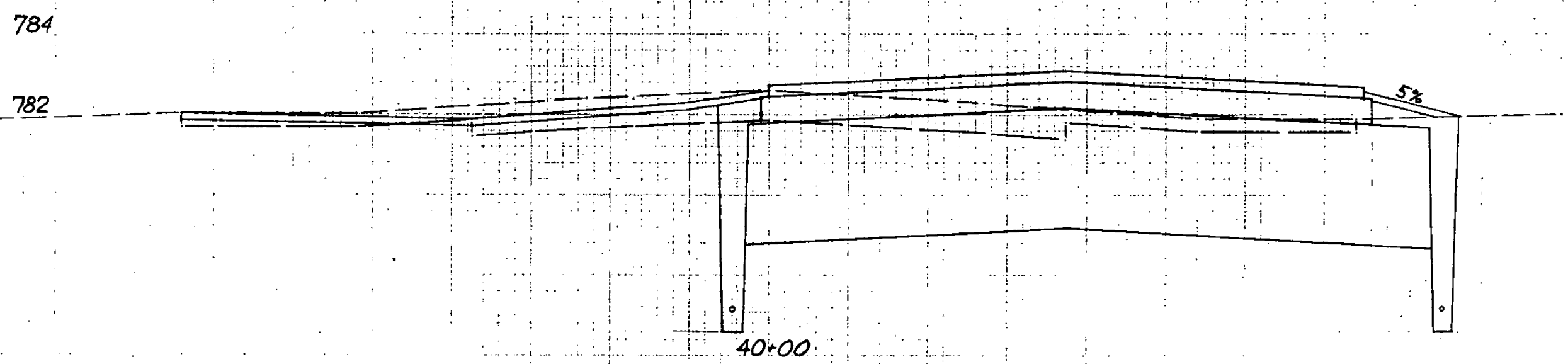
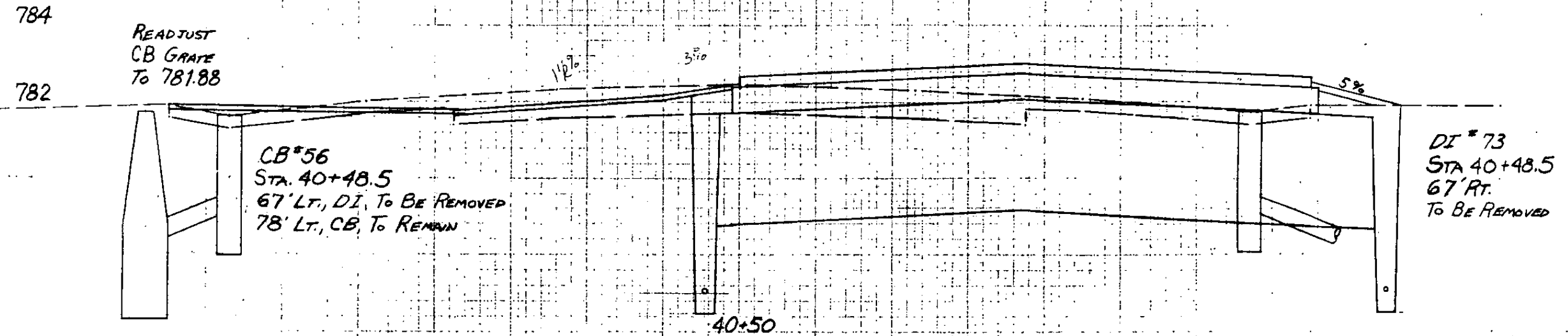


DATE	BY	CHECKED

NO.	DATE	BY	CHECKED



ALP PROJECT NO. 3-50-0015-04  
 RUTLAND STATE AIRPORT  
 CROSS SECTIONS  
 STA. 38+00 TO STA. 40+50

DATE: 11/11/93 BY: JMS CHECKED: JMS