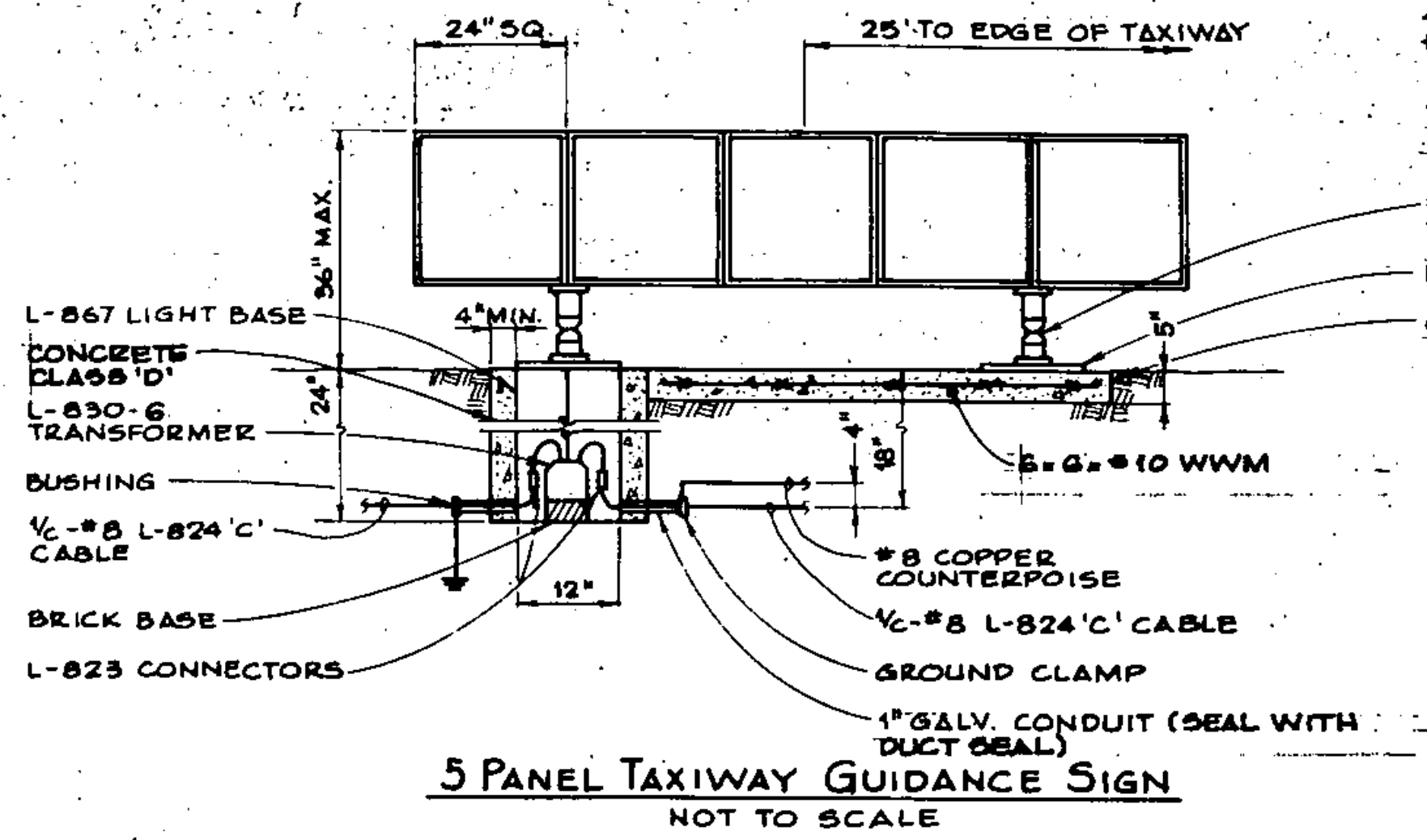
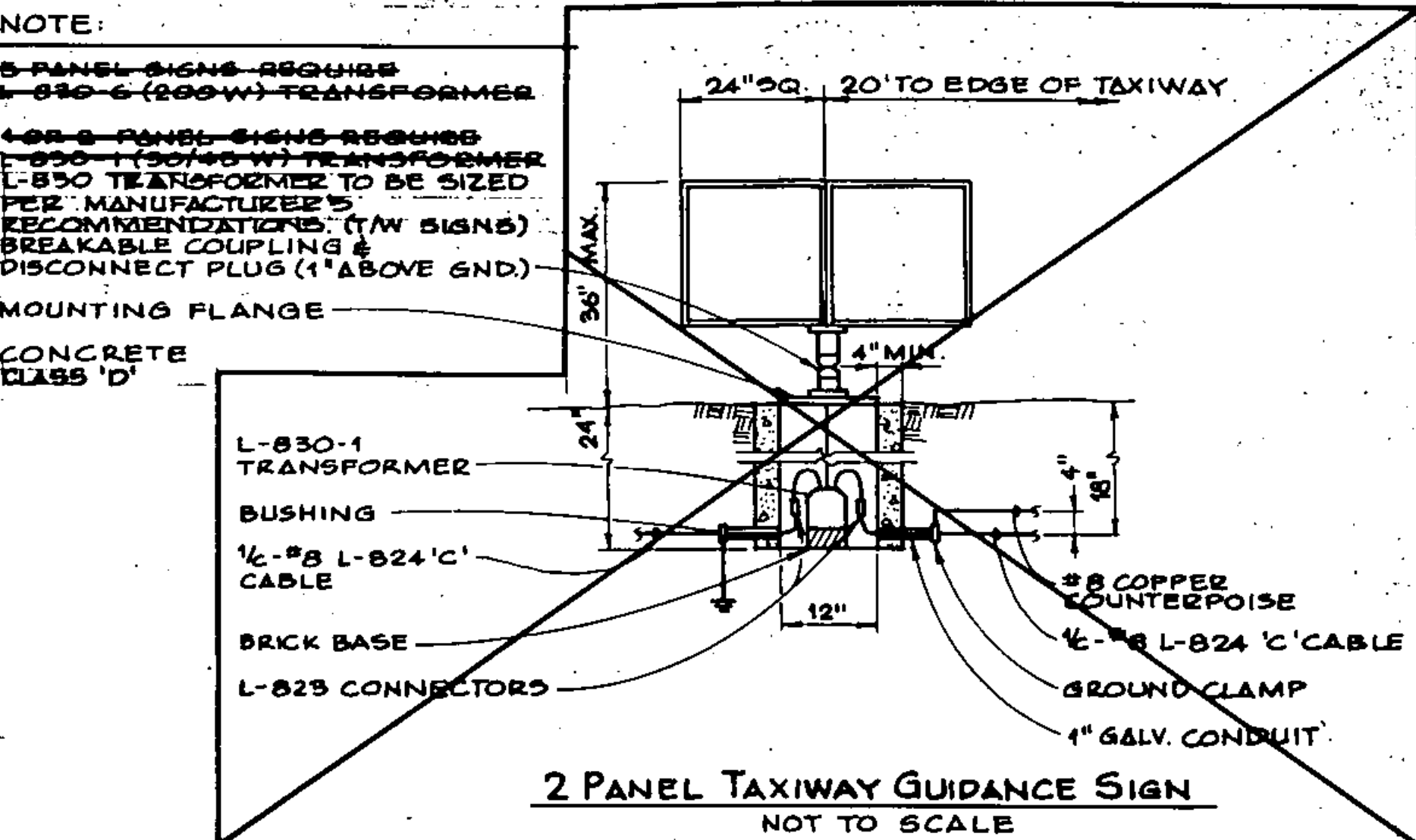


BASE MOUNTED LIGHT
NOT TO SCALE



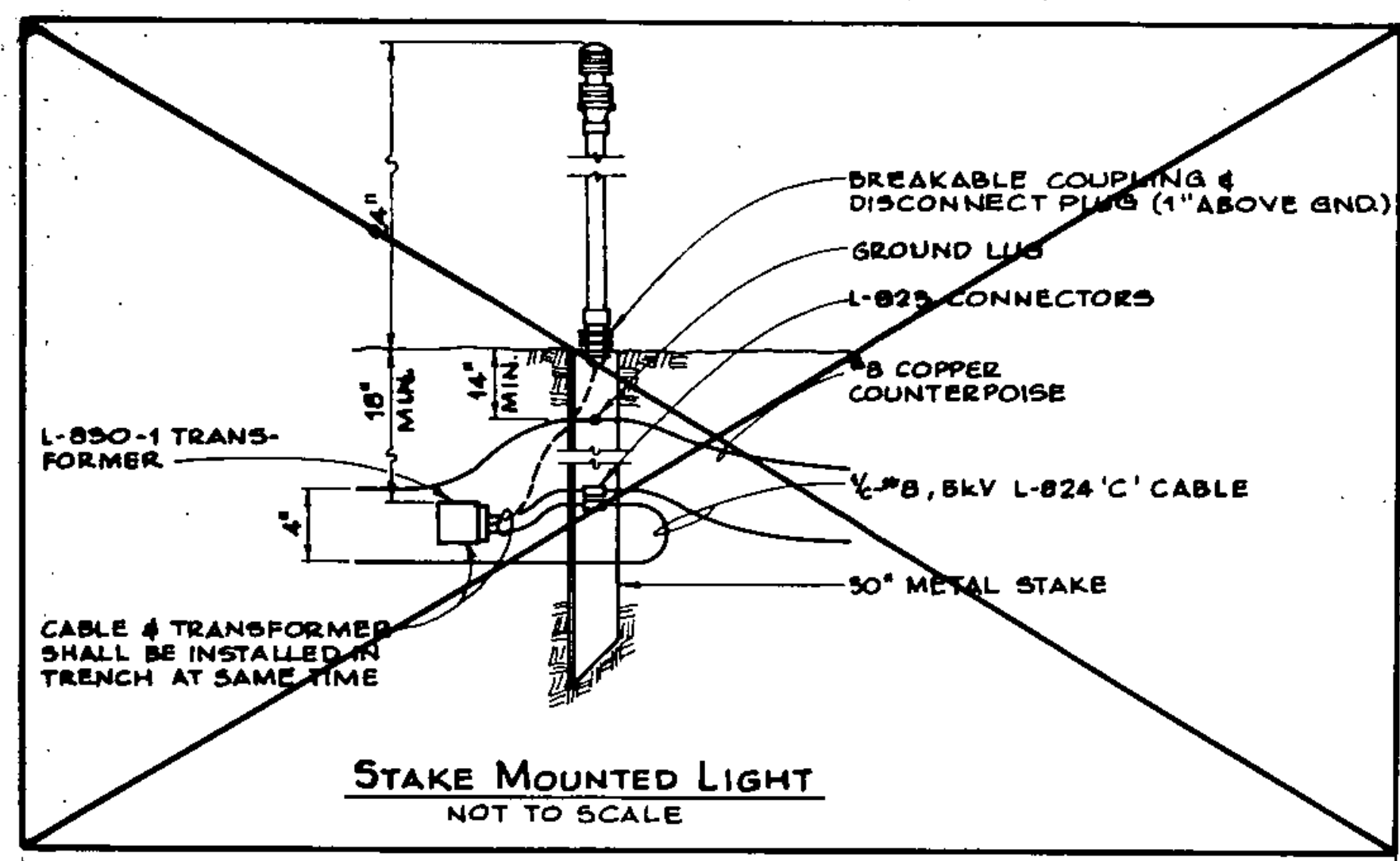
5 PANEL TAXIWAY GUIDANCE SIGN
NOT TO SCALE



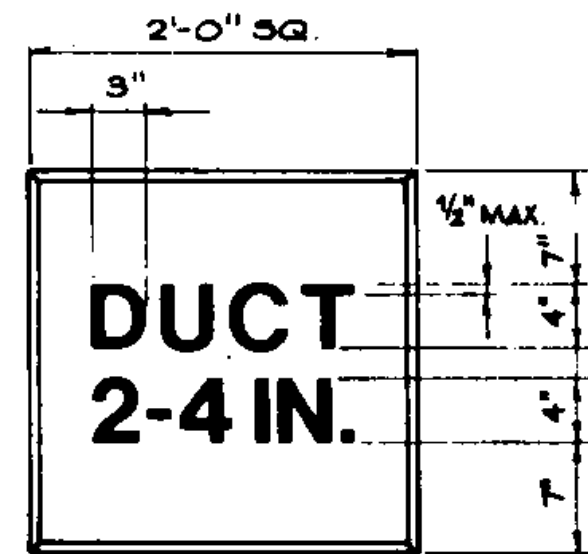
2 PANEL TAXIWAY GUIDANCE SIGN
NOT TO SCALE

NOTE:
5-PANEL SIGNS REQUIRE L-850-6 (200W) TRANSFORMER
4-PANEL SIGNS REQUIRE L-850-1 (300W) TRANSFORMER
L-850 TRANSFORMER TO BE SIZED PER MANUFACTURER'S RECOMMENDATIONS (TAXI SIGNS)
BREAKABLE COUPLING & DISCONNECT PLUG (1\"/>

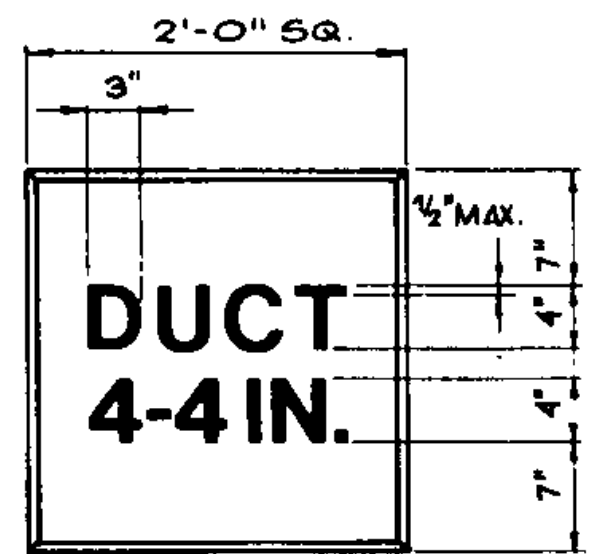
NOTE:
PROVIDE A 3' LOOP OF CABLE AT ALL TRANSFORMER LOCATIONS.



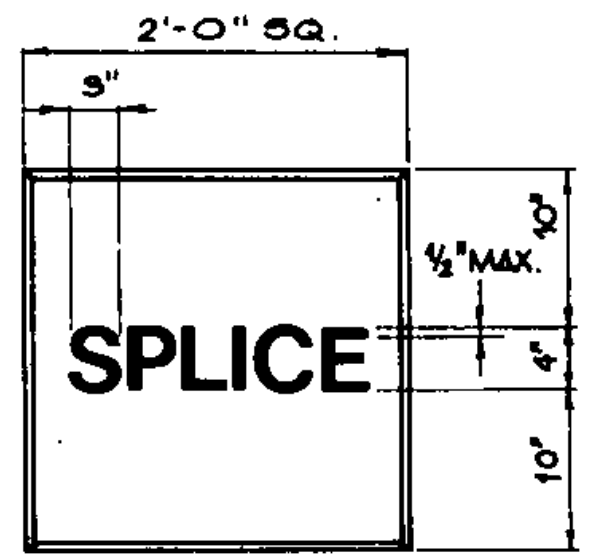
STAKE MOUNTED LIGHT
NOT TO SCALE



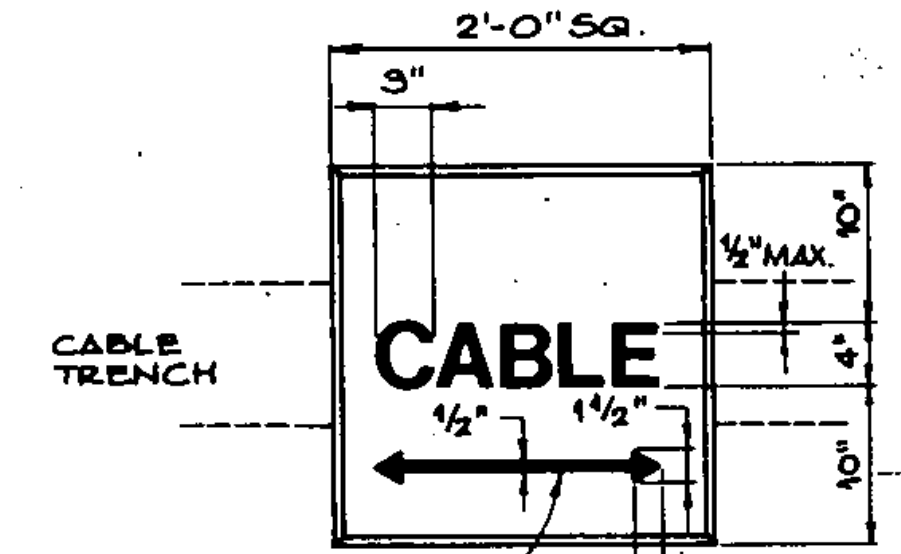
2-WAY DUCT MARKER
NOT TO SCALE



4-WAY DUCT MARKER
NOT TO SCALE

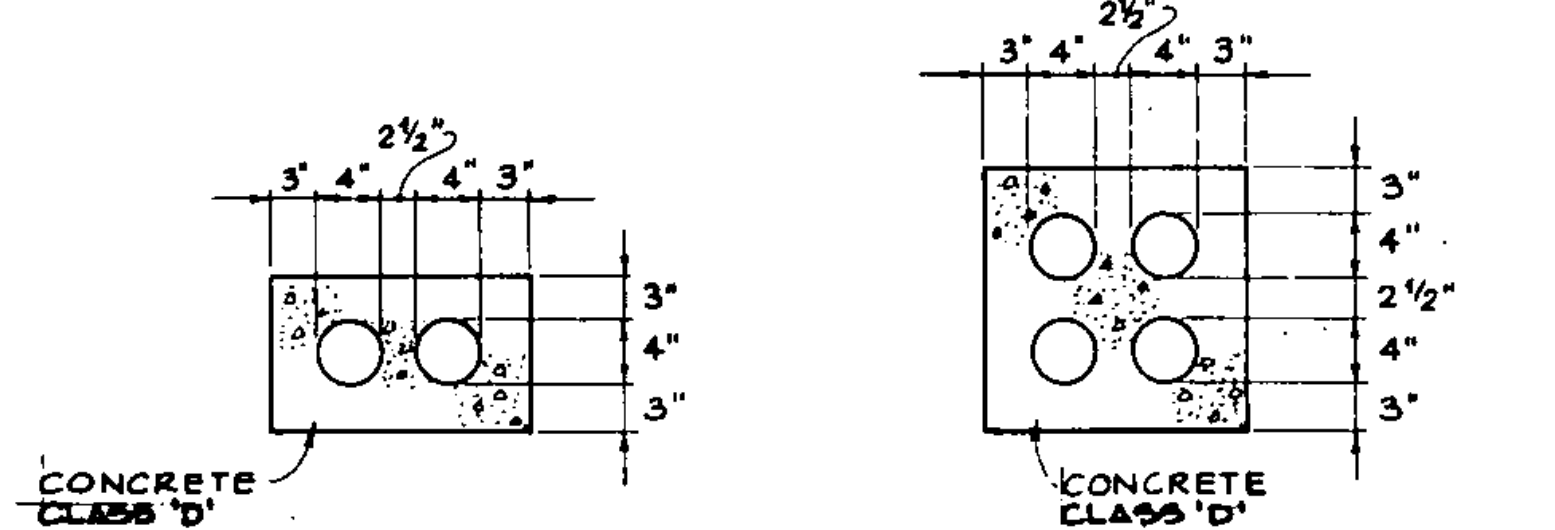


SPLICE MARKER
NOT TO SCALE

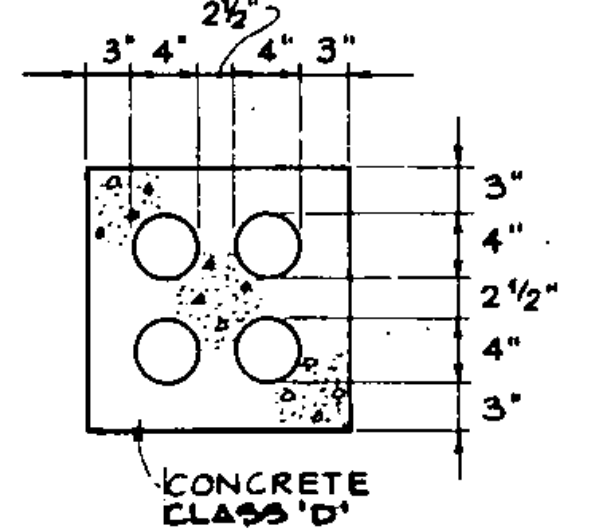


CABLE MARKER
NOT TO SCALE

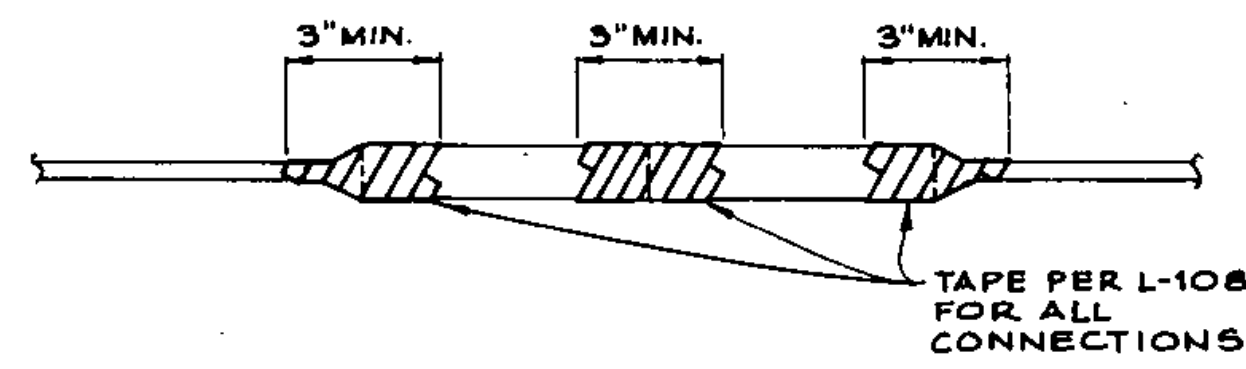
MARKER NOTES:
1. HAND LETTERING NOT ALLOWED ON MARKERS. LETTERING IS TO BE IMPRESSED.
2. ARROW ON CABLE MARKER TO INDICATE DIRECTION OF CABLES.
3. PAYMENT FOR CABLE, SPLICE OR DUCT MARKERS TO BE SUBSIDIARY TO OTHER PAY ITEMS.



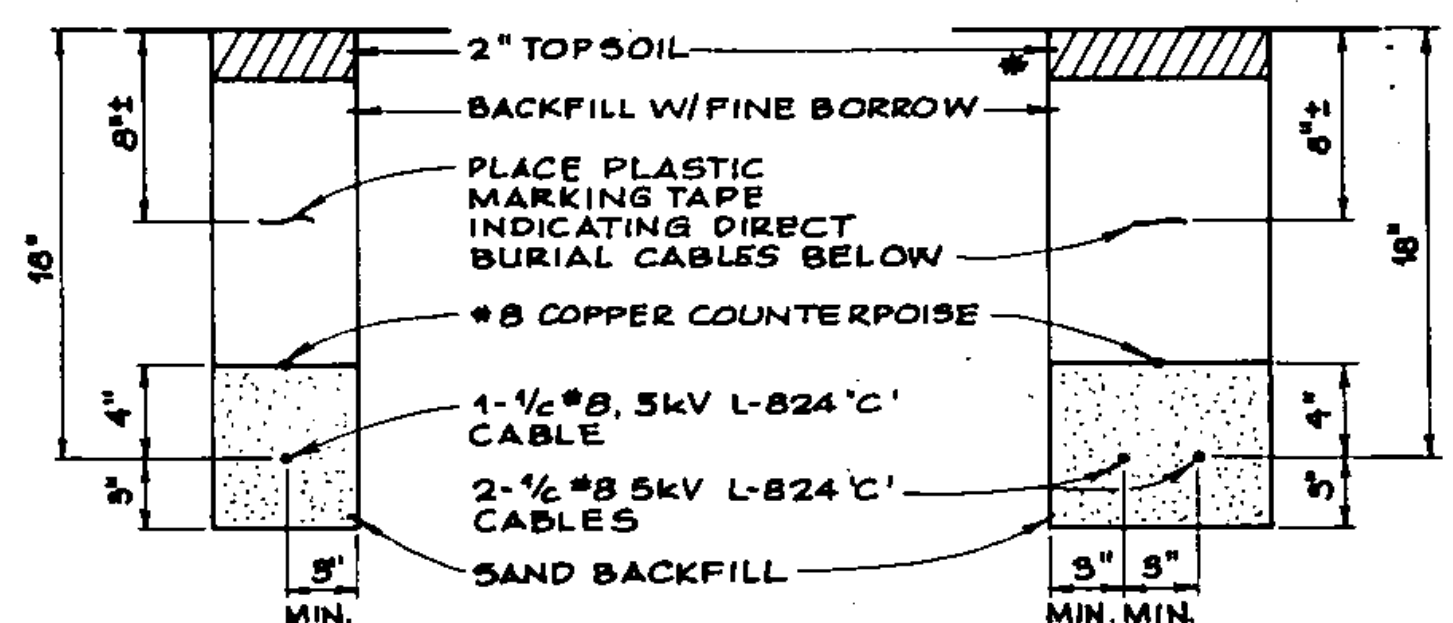
2 WAY ELECTRICAL DUCT
NOT TO SCALE



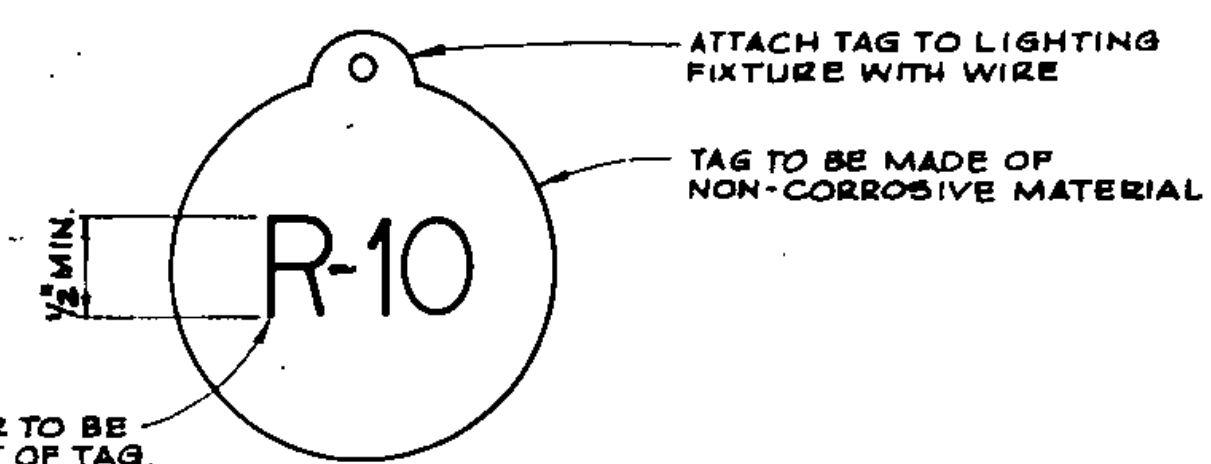
4 WAY ELECTRICAL DUCT
NOT TO SCALE



L-823 CABLE CONNECTOR
NOT TO SCALE



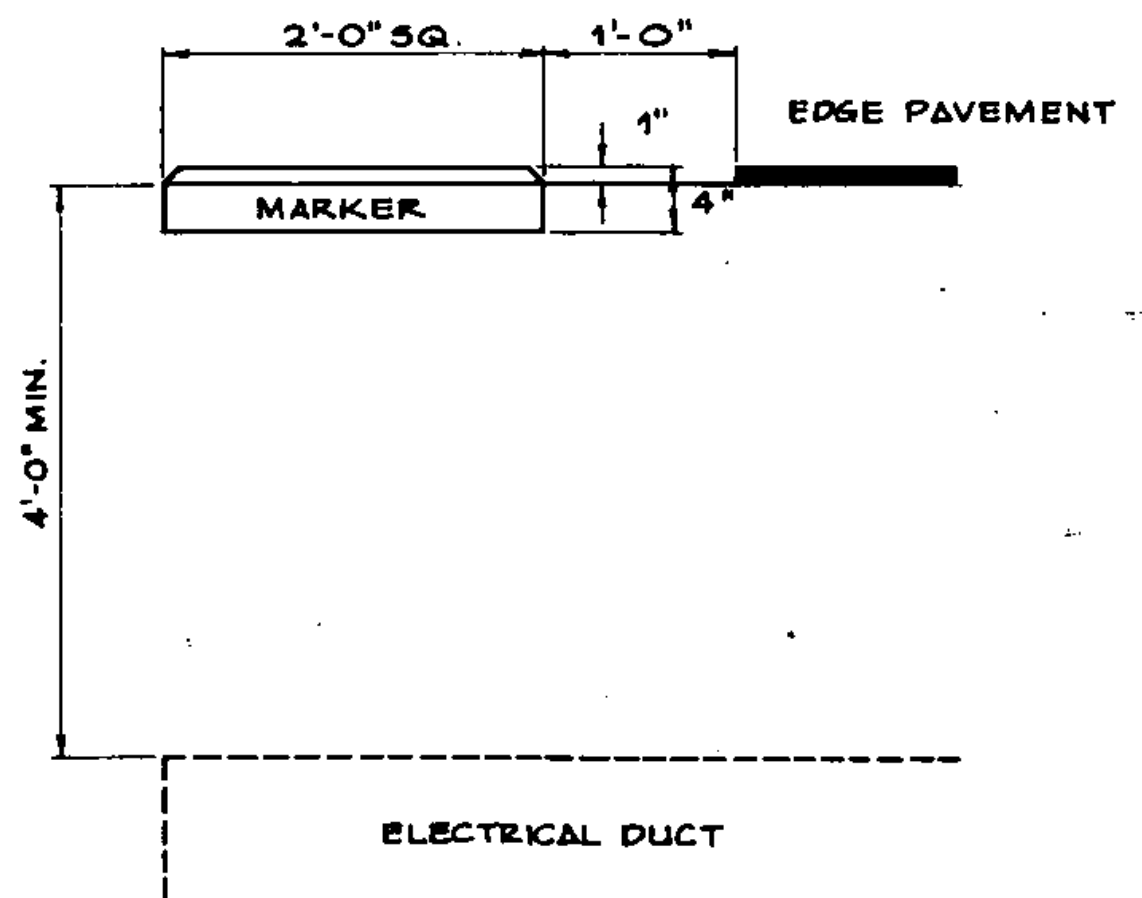
DIRECT BURIAL CABLE TRENCH DETAILS
NOT TO SCALE



LIGHT IDENTIFICATION TAG
NOT TO SCALE

LETTER & NUMBER TO BE PERMANENT PART OF TAG
'R' INDICATES RUNWAY EDGE OR THRESHOLD LIGHT. 'T' INDICATES TAXIWAY EDGE LIGHT

LIGHT LOCATION SCHEDULE			
STATION NO.	OFFSET (ft.)	STATION NO.	OFFSET (ft.)
181-196	DELETED	29+30	118 47.5L
			149 47.5L
		31+27.5	117 47.5L
			150 47.5L
11+90	128 47.5R	33+25.0	116 47.5R
	129 87.5R		151 47.5L
	130 87.5R	34+08.3	205 47.5L
	137 87.5R		206 30.5L
	138 87.5R	34+22.3	207 61.5L
	139 47.5L		
18+28	127 47.5R	34+48.3	208 87.5L
	140 47.5L	35+18.3	201 87.5L
10+82	126 47.5R	35+22.5	115 47.5R
	141 47.5L	35+32.3	202 61.5L
17+18	125 47.5R	35+38.3	204 47.5L
	142 47.5L		203 30.5L
18+14	124 47.5R	37+20	101 47.5L
	143 47.5L		114 47.5R
21+10	123 47.5R	38+02.5	102 47.5L
	144 47.5L		113 47.5R
23+06	122 47.5R	40+05	103 47.5L
	145 47.5L		112 47.5R
28+02	121 47.5R	48+82.5	104 47.5L
	146 47.5L		111 47.5R
26+14	120 47.5R	44+10	105 47.5L
	147 47.5L		106 37.5L
26+64	119 47.5R		107 27.5R
			108 27.5R
28+90	148 47.5L		109 37.5R
			110 47.5R



DUCT & MARKER INSTALLATION
NOT TO SCALE

Rev.	Description	By	Date

A.I.P. PROJECT NO. 3-80-0018-04

RUTLAND STATE AIRPORT
ELECTRICAL DETAILS

DH
Duttons-Henry Inc.
1251 Washington Ave.
Portland, Maine 04103

Client No. **80-0018**
Proj. Manager **J.P. Poirier**
Proj. Designer **J.P. Poirier**
Drawn By **J.P. Poirier**
Checked By **J.P. Poirier**
Scale **AS SHOWN**
Approved _____
Date _____

STATE OF VERMONT
Professional Engineer
No. 3712

Sheet **27** of **30**