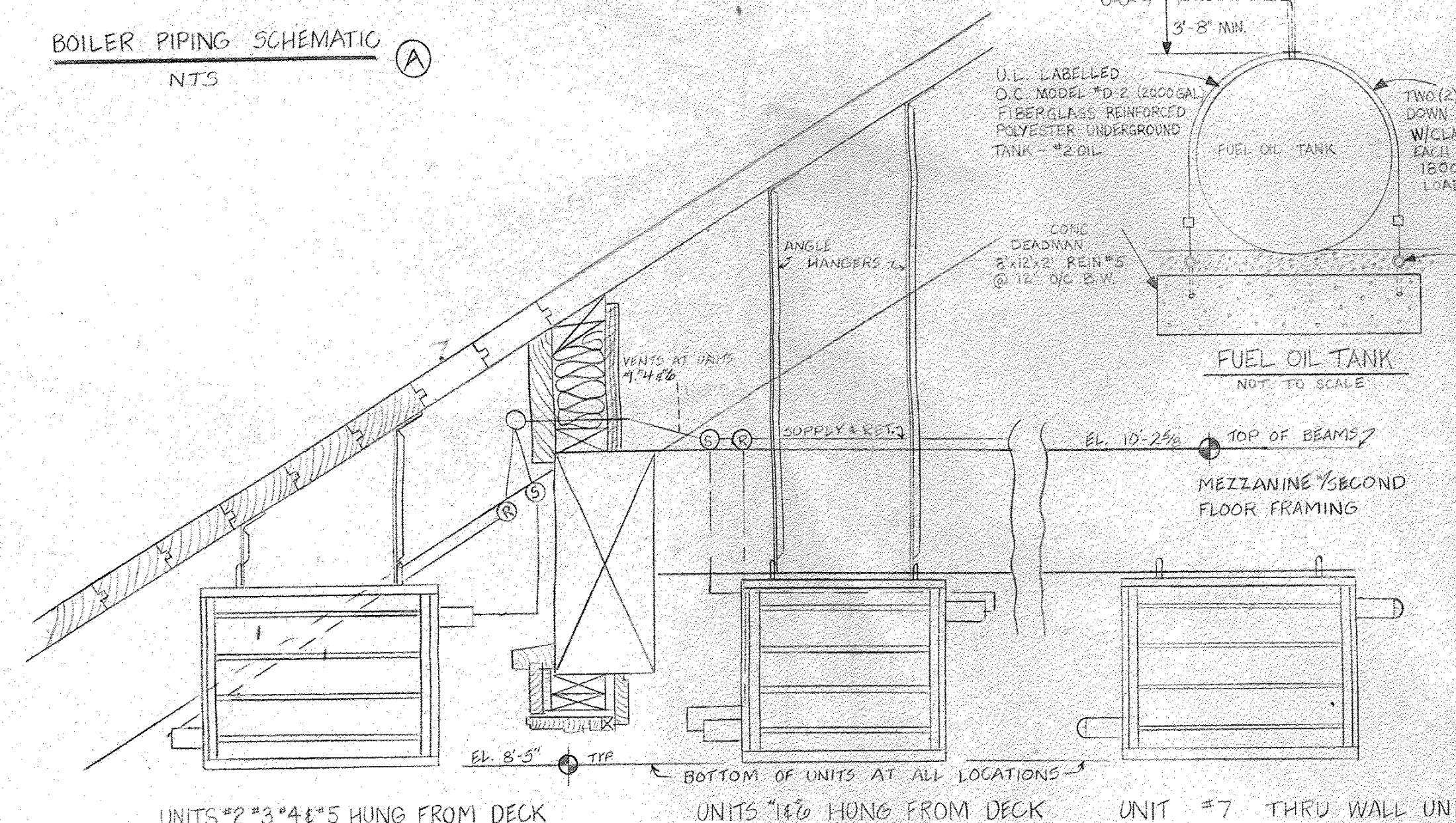
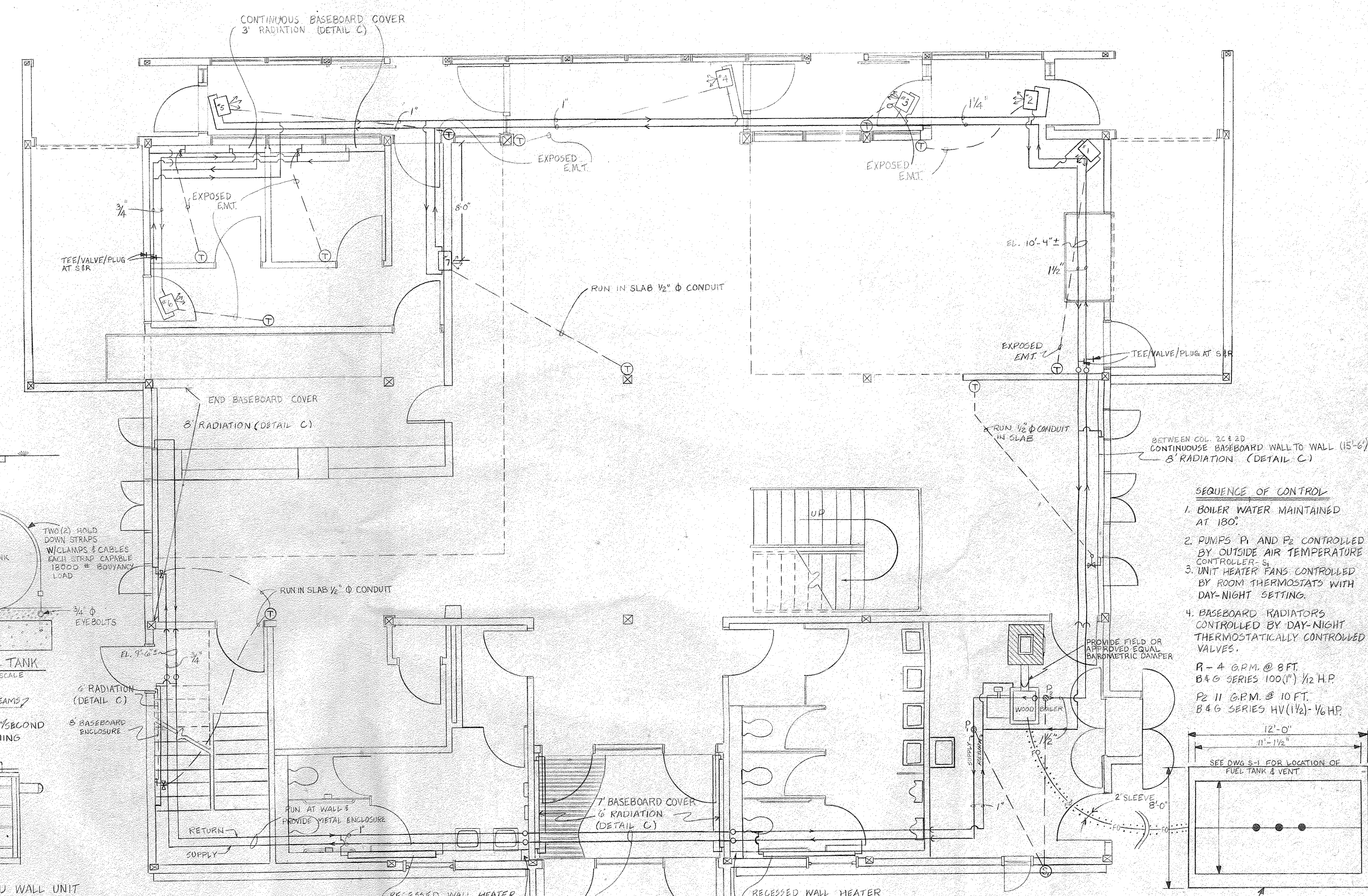


BOILER PIPING SCHEMATIC
NTS



HEATING DETAIL
SCALE 1 1/2" = 1'-0"

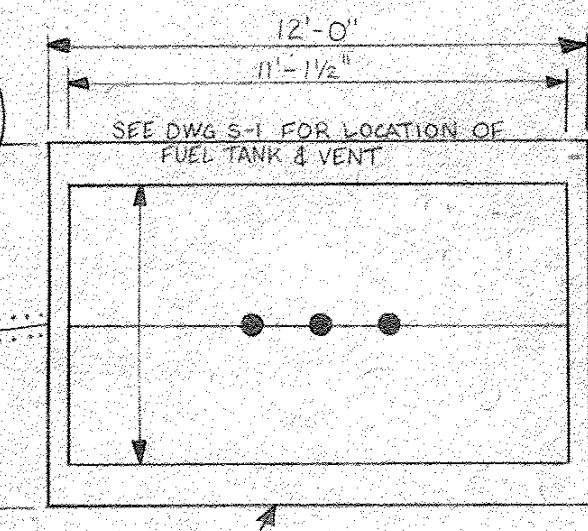
UNITS #2, #3, #4, #5 HUNG FROM DECK
UNITS #6 HUNG FROM DECK
UNIT #7 THRU WALL UNIT
* ALL PIPES GOING TO AND FROM UNIT HEATERS ARE TO BE INSULATED
INSTALL AUTOMATIC AIR VENTS AT ALL HIGH POINTS.



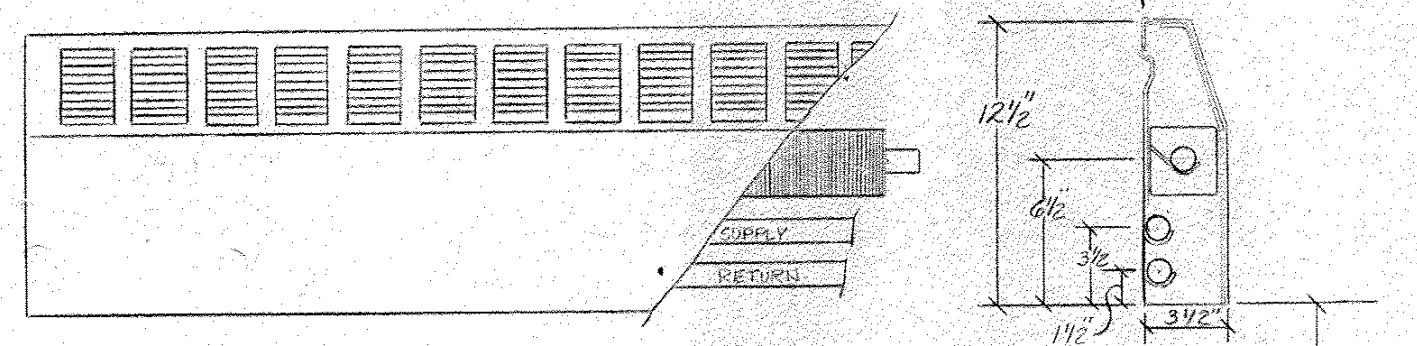
HEATING PLAN
SCALE 1/4" = 1'-0"

- SEQUENCE OF CONTROL**
1. BOILER WATER MAINTAINED AT 180°
 2. PUMPS P1 AND P2 CONTROLLED BY OUTSIDE AIR TEMPERATURE CONTROLLER S
 3. UNIT HEATER FANS CONTROLLED BY ROOM THERMOSTATS WITH DAY-NIGHT SETTING.
 4. BASEBOARD RADIATORS CONTROLLED BY DAY-NIGHT THERMOSTATICALLY CONTROLLED VALVES.

R-4 G.P.M. @ 8 FT.
B4G SERIES 100(1") 1/2 H.P.
P2 11 G.P.M. @ 10 FT.
B4G SERIES HV(1 1/2)-1/6 H.P.

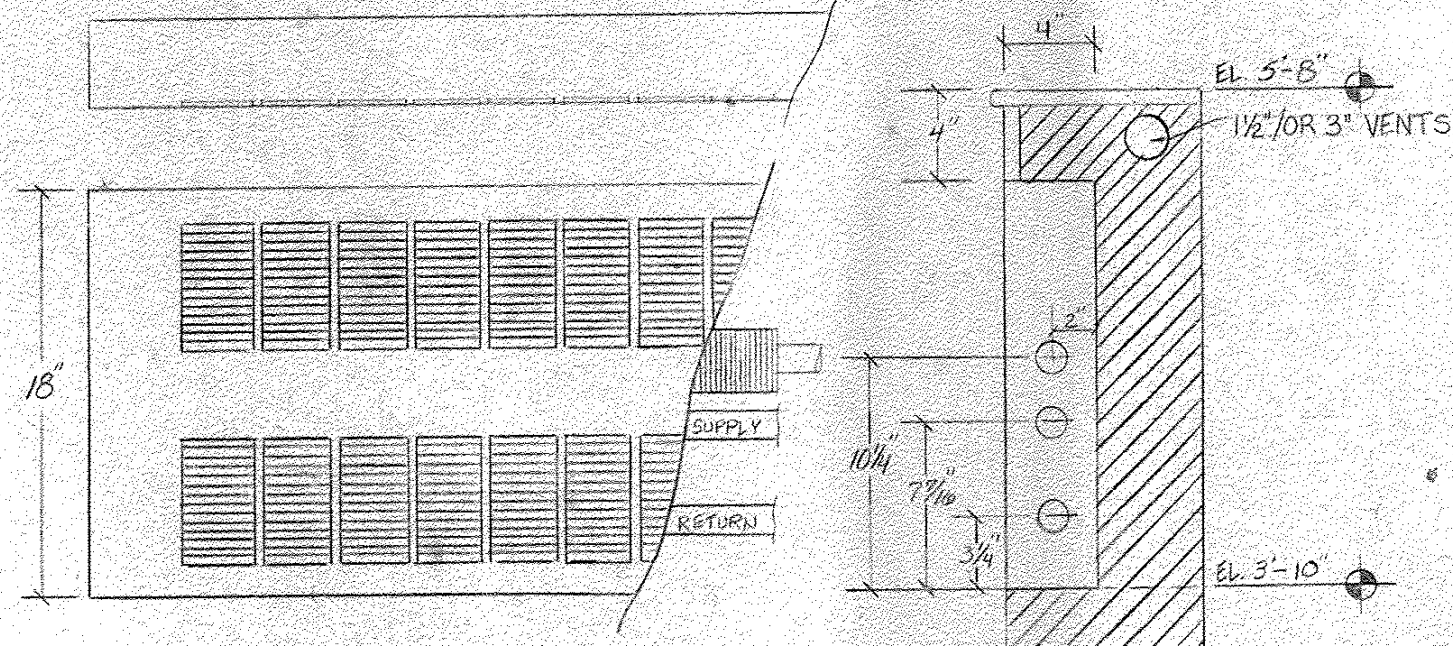


KEY
○ PIPING HIGH
→ PIPING LOW



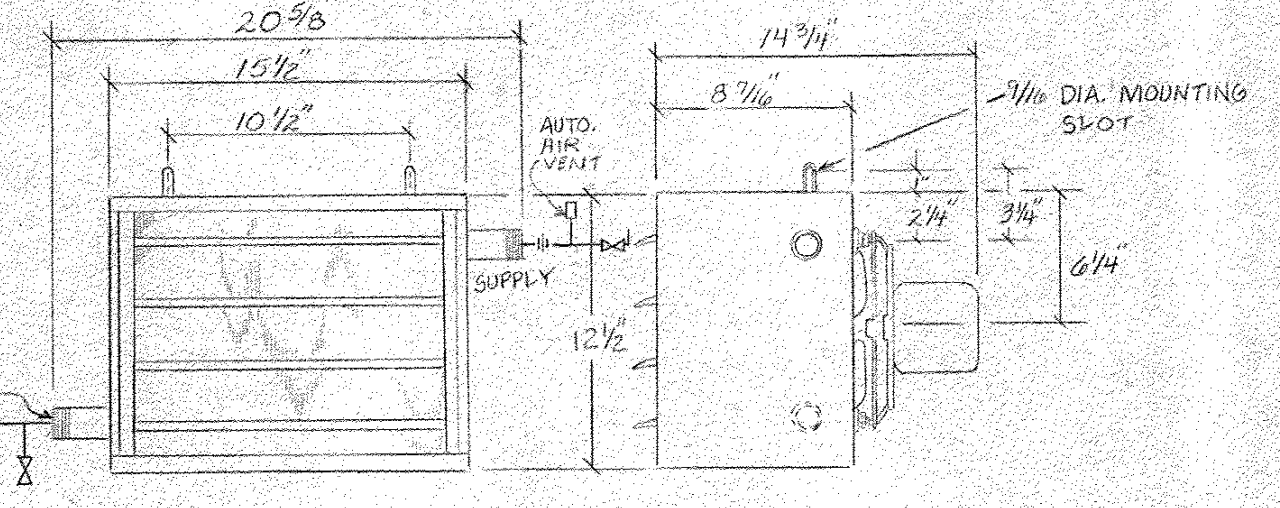
BASEBOARD HEATING UNIT
SCALE 1 1/2" = 1'-0"

DUNHAM BUSH TYPE S-412
1210 BTU/FT. OR APPROVED
EQUAL 1 1/2 GAUGE FRONT
COVER



FULLY RECESSED WALL HEATER
SCALE 1 1/2" = 1'-0"

DUNHAM BUSH TYPE MH
OR APPROVED EQUAL
1 1/2 GAUGE FRONT COVER



UNIT HEATER
SCALE 1 1/2" = 1'-0"

DUNHAM BUSH H 100 C
OR APPROVED EQUAL
14,200 BTU

STATE OF VERMONT DIVISION OF STATE BUILDINGS AGENCY OF ADMINISTRATION MONTPELIER, VERMONT			
RUTLAND TERMINAL BUILDING AIR 23-2024			
HEATING PLAN			
RUTLAND STATE AIRPORT CLARENDON, VERMONT			
DATE: 6/8/84	SCALE: AS NOTED	REVISIONS: 6/29/84 S.A. MULLHORN	DWG. NO. H-1
DRAWN BY: R. TETREULT	APPROVED BY: [Signature]		16 of 19

8/10/84