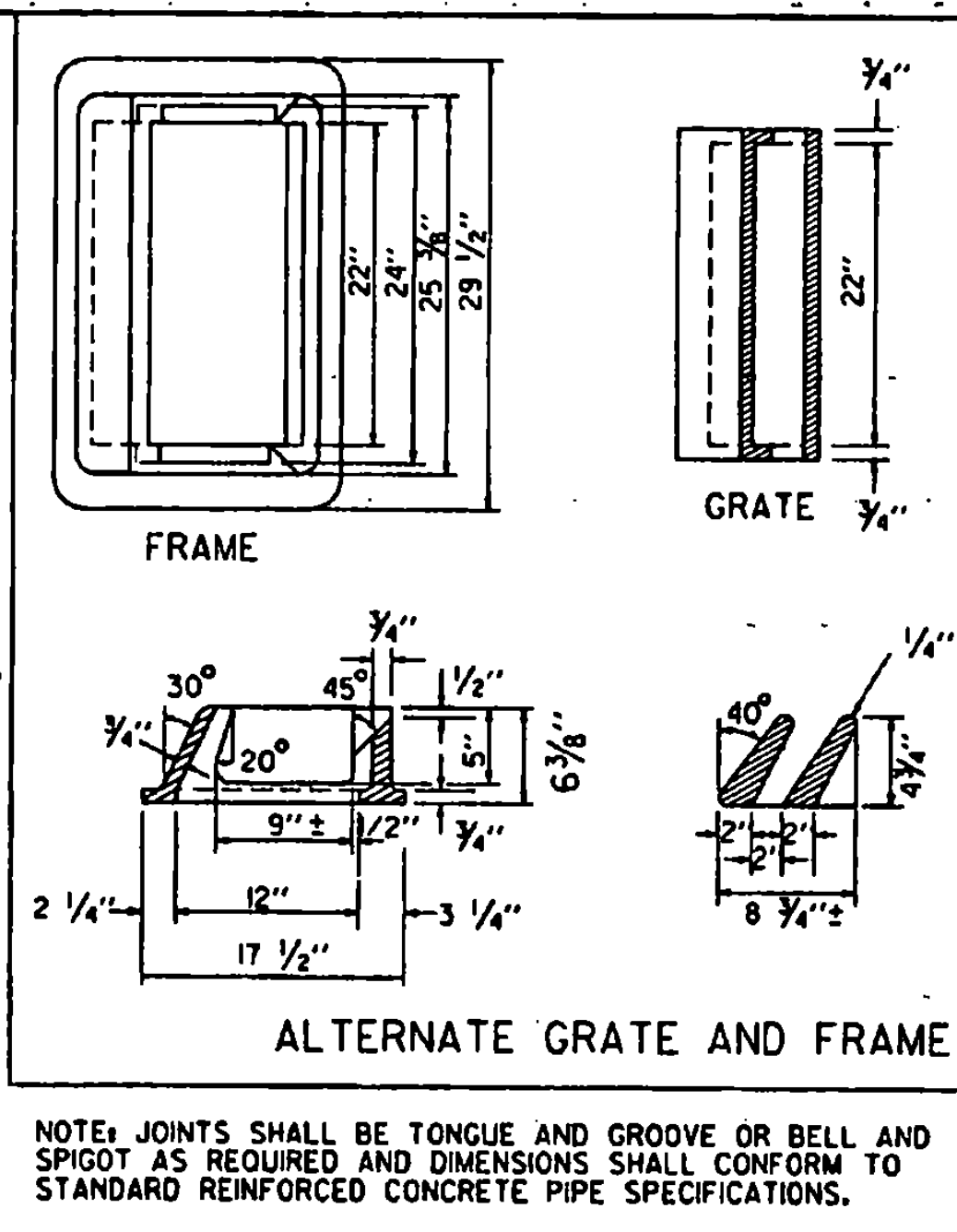


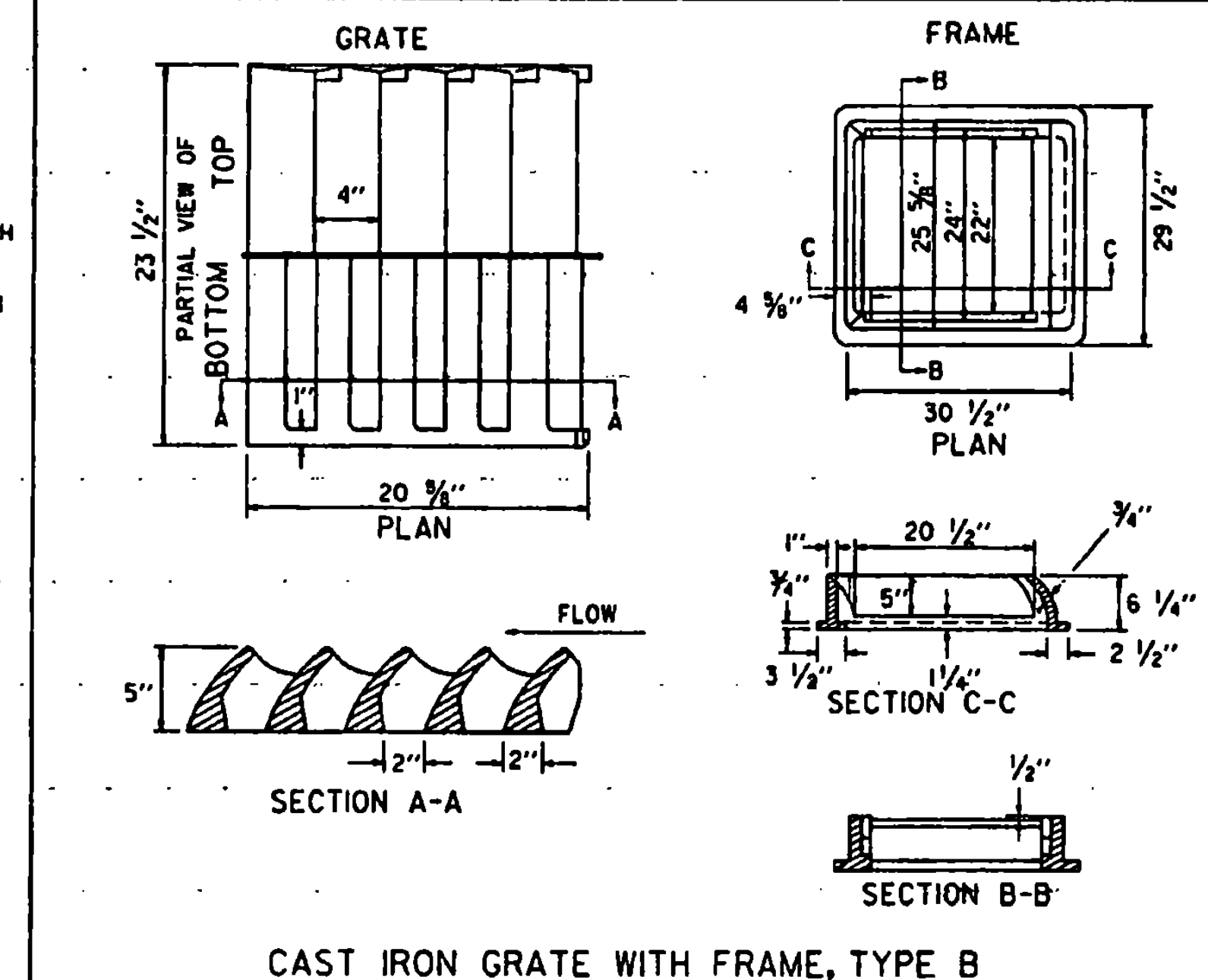
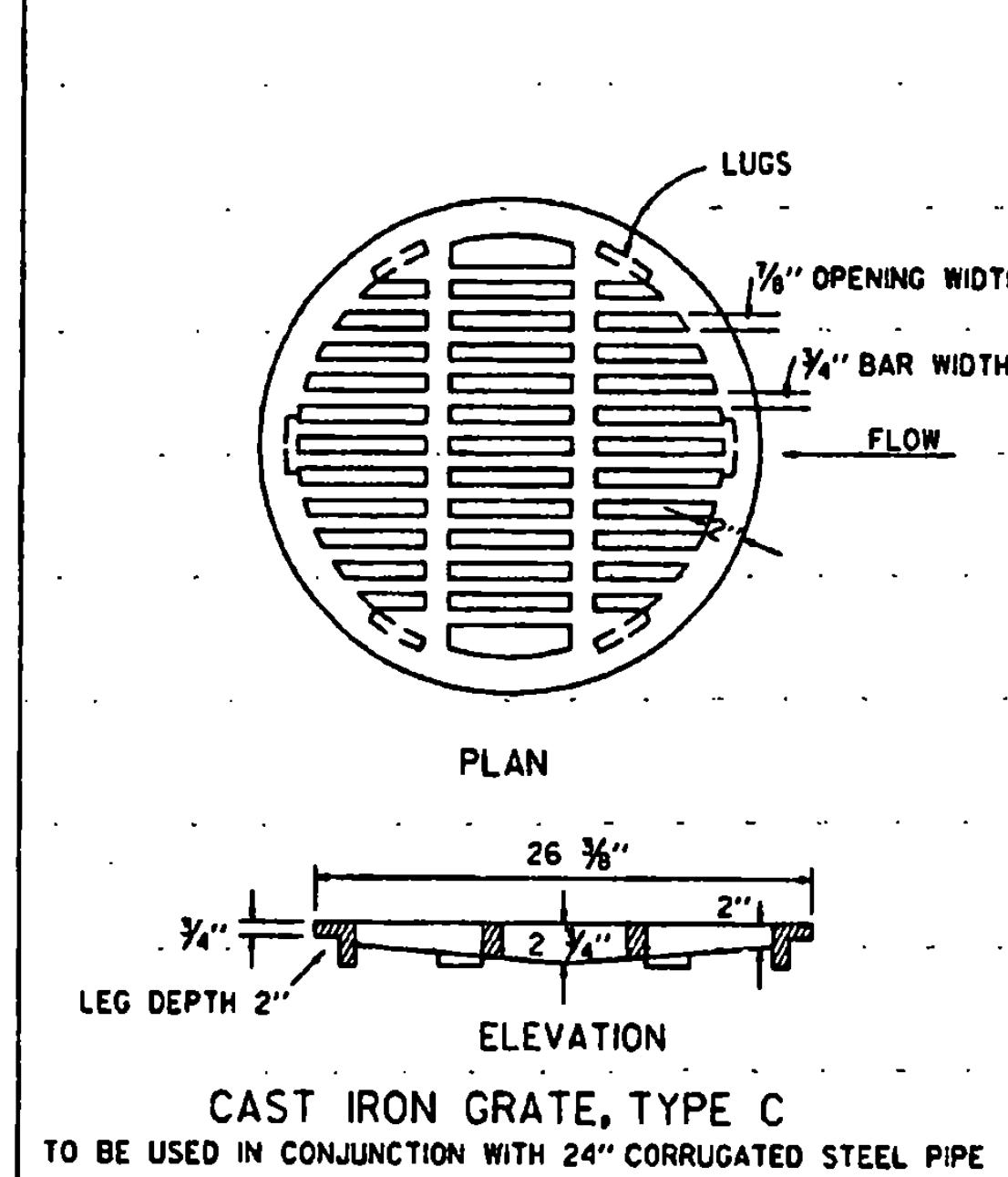
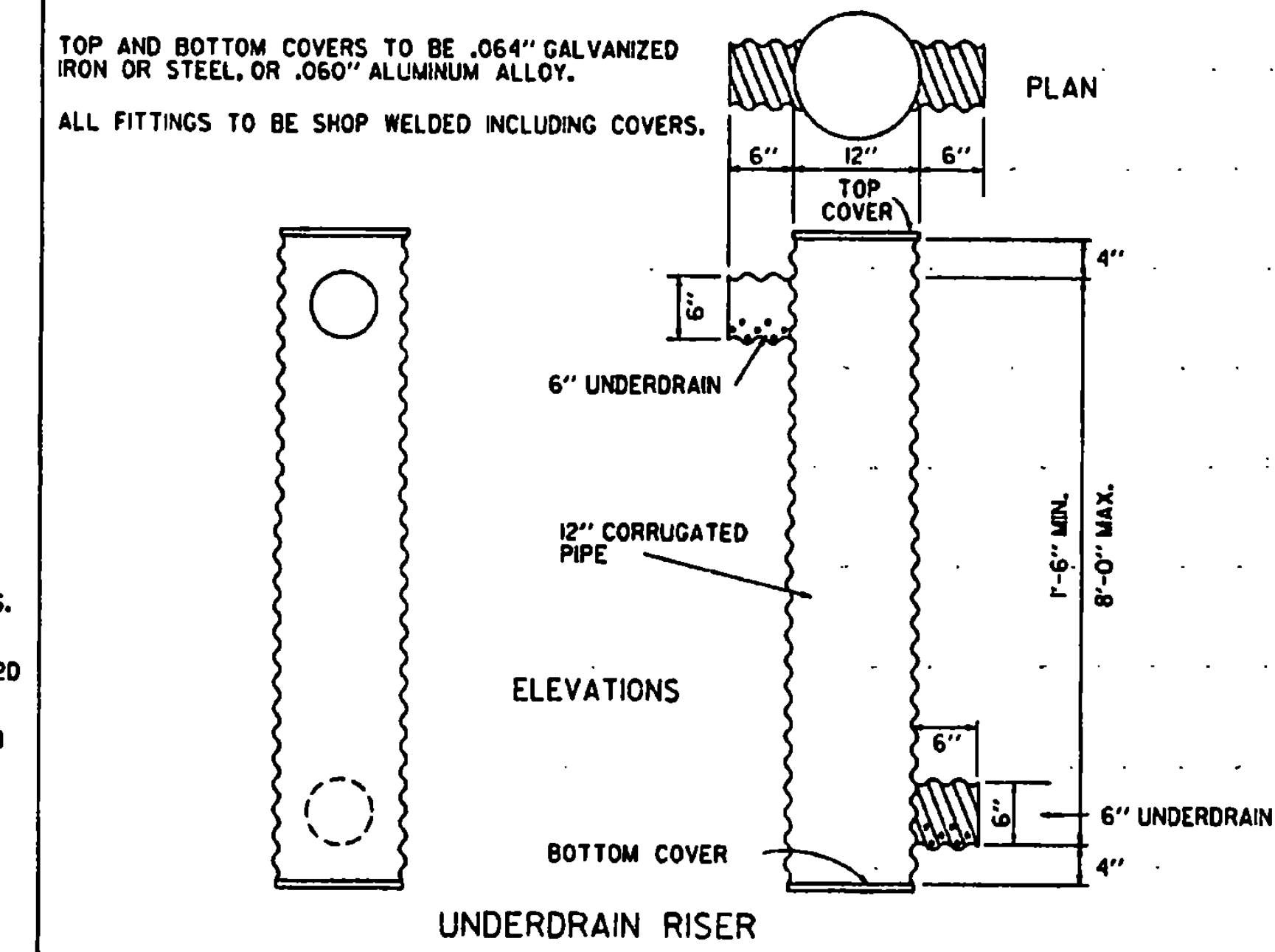
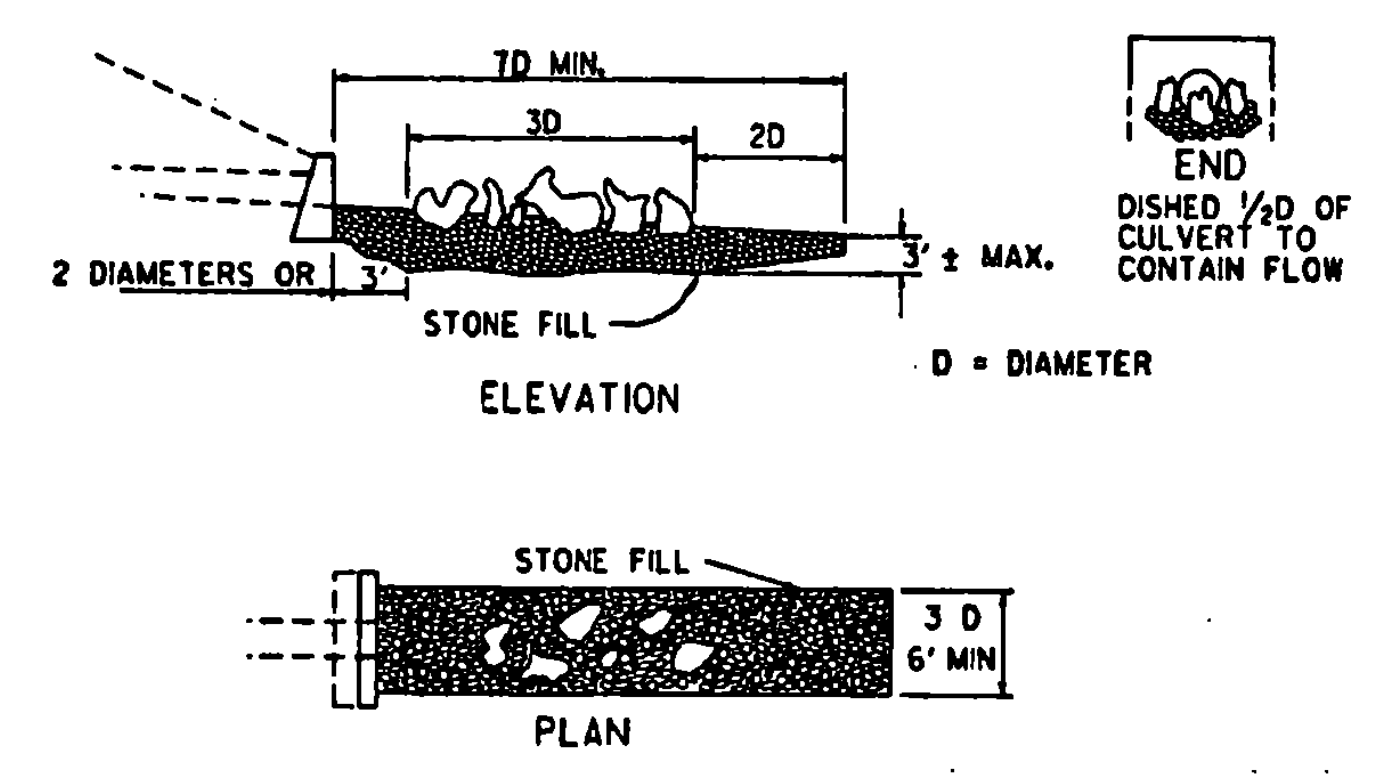
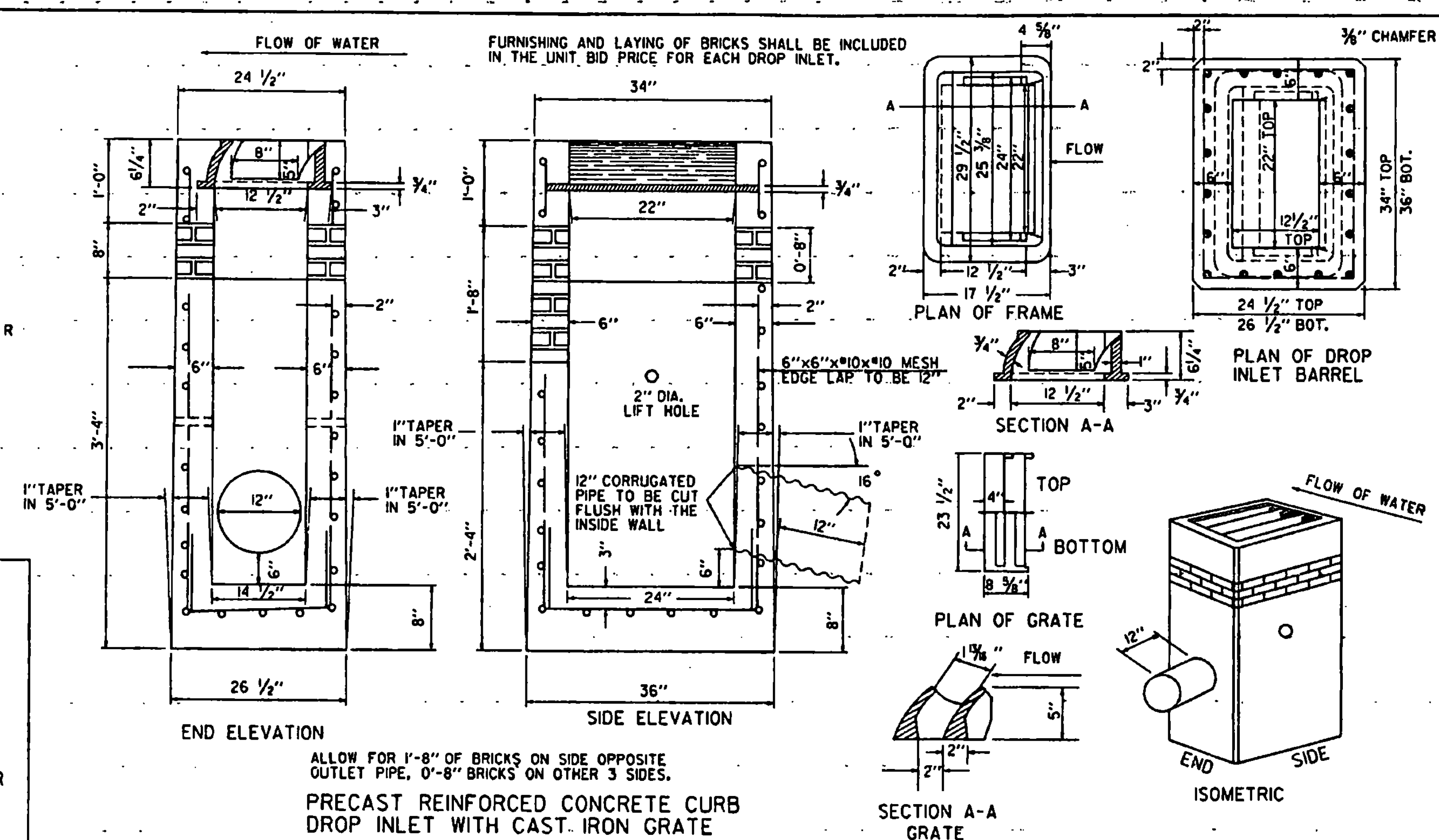
BASIC DIMENSIONS

A	B	C	D	E	F	G	H	I	J	K	L	M	N	O	P	Q	R	S	T	U	V	W	X	Y	Z
12"	2"	48 1/2"	24"	24"	4"	19 5/8"	13"	2.7	11	10 1/8"	9"	1.92	6'-0 3/4"												
18"	2 1/2"	46"	27"	36"	9"	29"	19"	2.7	11	15 1/2"	12"	1.88	6'-11"												
24"	3"	30"	43 1/2"	48"	9 1/2"	33 3/8"	25"	2.8	11	16 1/2"	14"	1.58	6'-11 1/2"												
30"	3 1/2"	19 3/4"	54"	60"	12"	37"	31"	2.8	11	18 1/2"	15"	1.41	6'-11 1/2"												
36"	4"	34 3/4"	63"	72"	15"	41 1/2"	37"	2.9	11	24 1/2"	20"	1.50	8'-11 1/2"												
42"	4 1/2"	35"	63"	72"	15"	41 1/2"	37"	2.9	11	24 1/2"	20"	1.50	8'-11 1/2"												
48"	5"	26"	72"	81"	24"	59 1/2"	49"	2.9	11	30"	22"	1.40	8'-2"												



REINFORCED CONCRETE PIPE END SECTION

AREA-1 = AREA OF NOMINAL DIAMETER
 AREA-2 = AREA THRU SECTION B-B



REVISIONS AND CORRECTIONS

DEC. 8, 1971 - ORIGINAL APPROVAL
 NOV. 14, 1972 - RCP END SECTION DIMENSION VARIANCE NOTE ADDED
 OCT. 30, 1985 - REVISED TO CONFORM WITH 1986 SPECIFICATIONS
 JUNE 1, 1994 - REISSUED, WITHOUT CHANGE, UNDER NEW SIGNATURES.

APPROVED

APPROVED FOR THIS PROJECT AND/OR DESIGN IMPLEMENTATION, FINAL APPROVAL REQUIRED.

Standard & MacArthur, P.E.
 DIRECTOR OF ENGINEERING

John M. Murphy, P.E.
 DESIGN ENGINEER 1

PRECAST REINFORCED CONCRETE CURB DROP INLET WITH CAST IRON GRATE

CAST IRON GRATE, TYPE B

CAST IRON GRATE, TYPE C

UNDERDRAIN RISER

REINFORCED CONCRETE PIPE END SECTION

ENERGY DISSIPATOR FOR CULVERT

VERMONT AGENCY OF TRANSPORTATION

STANDARD D-16