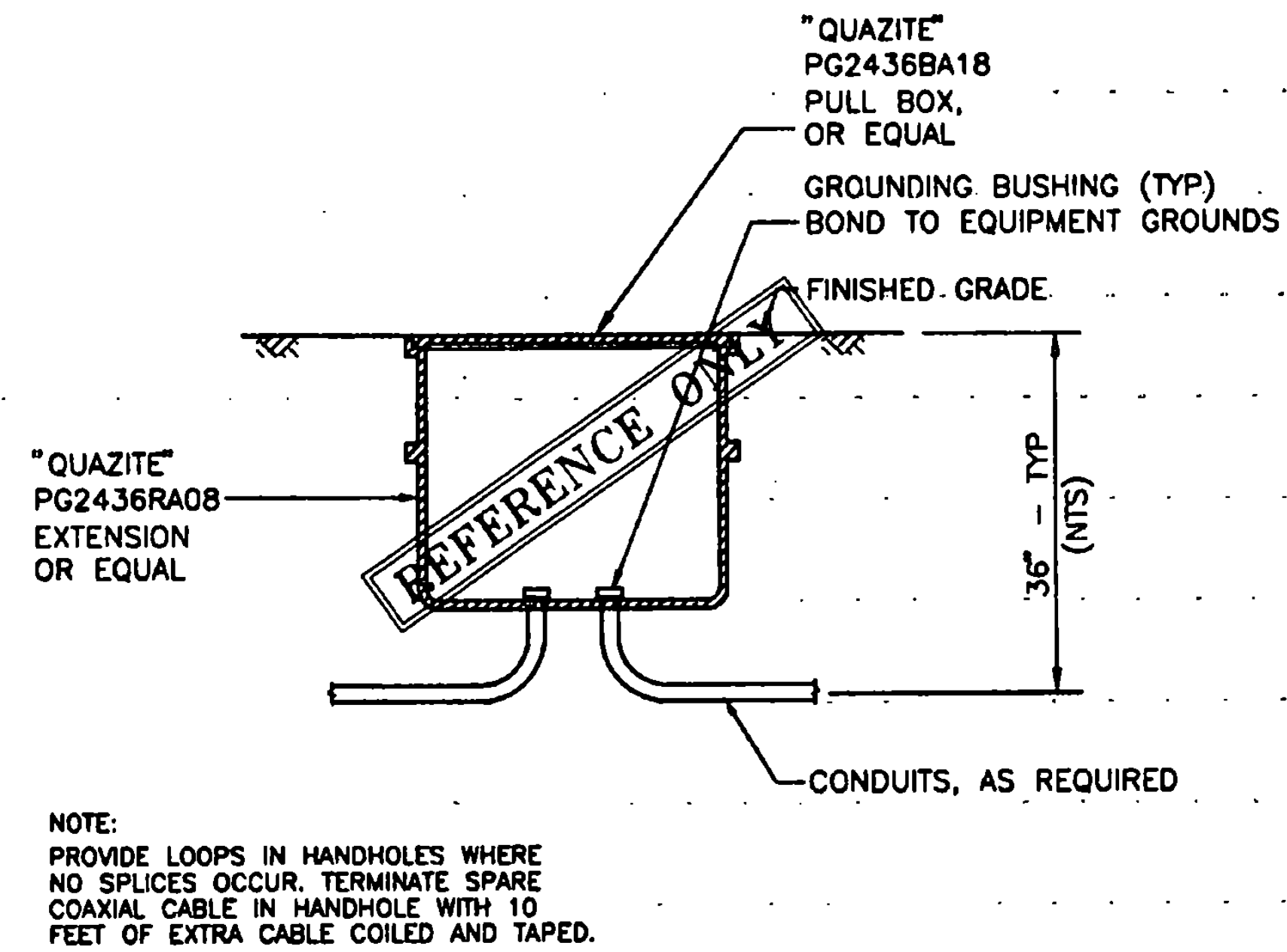
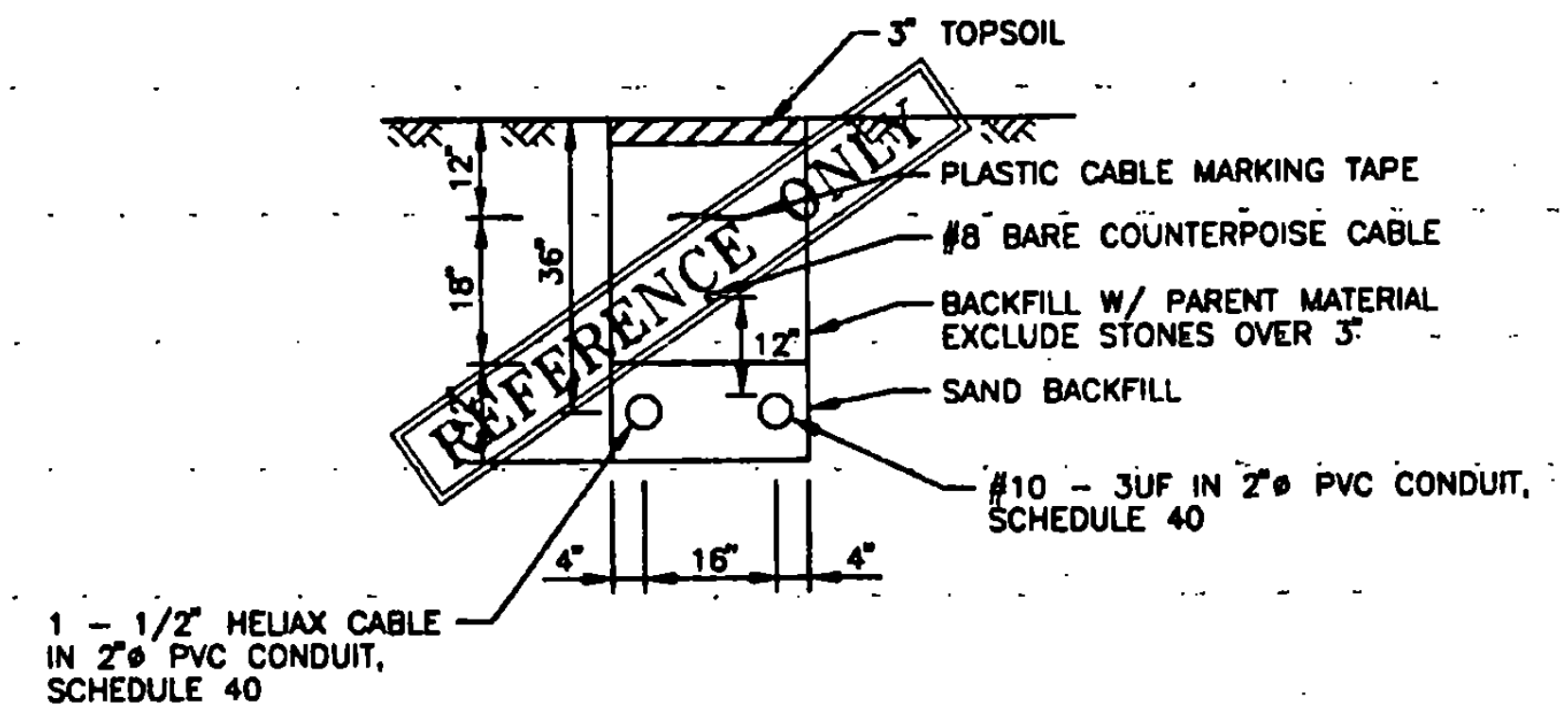


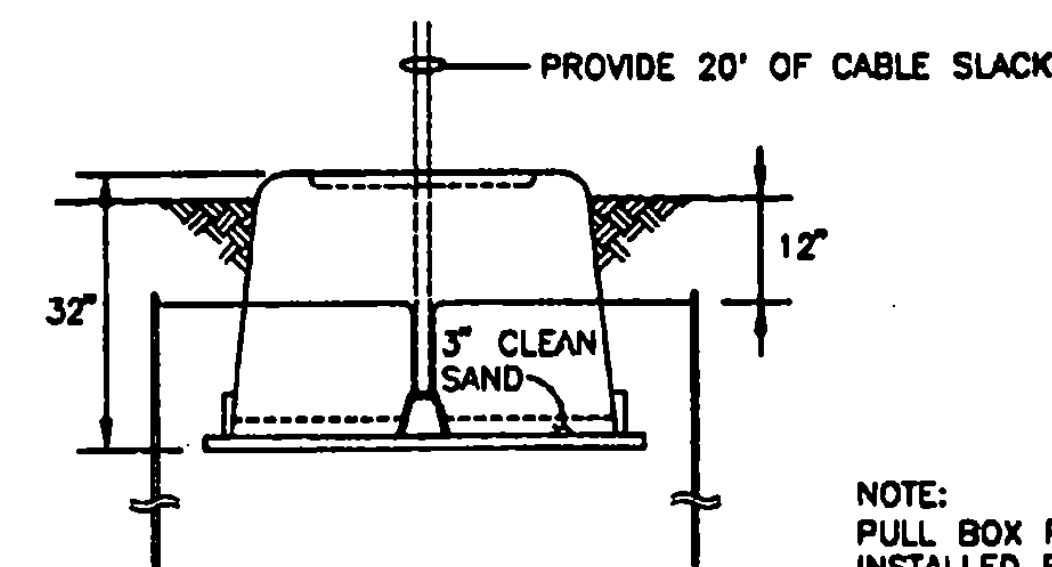
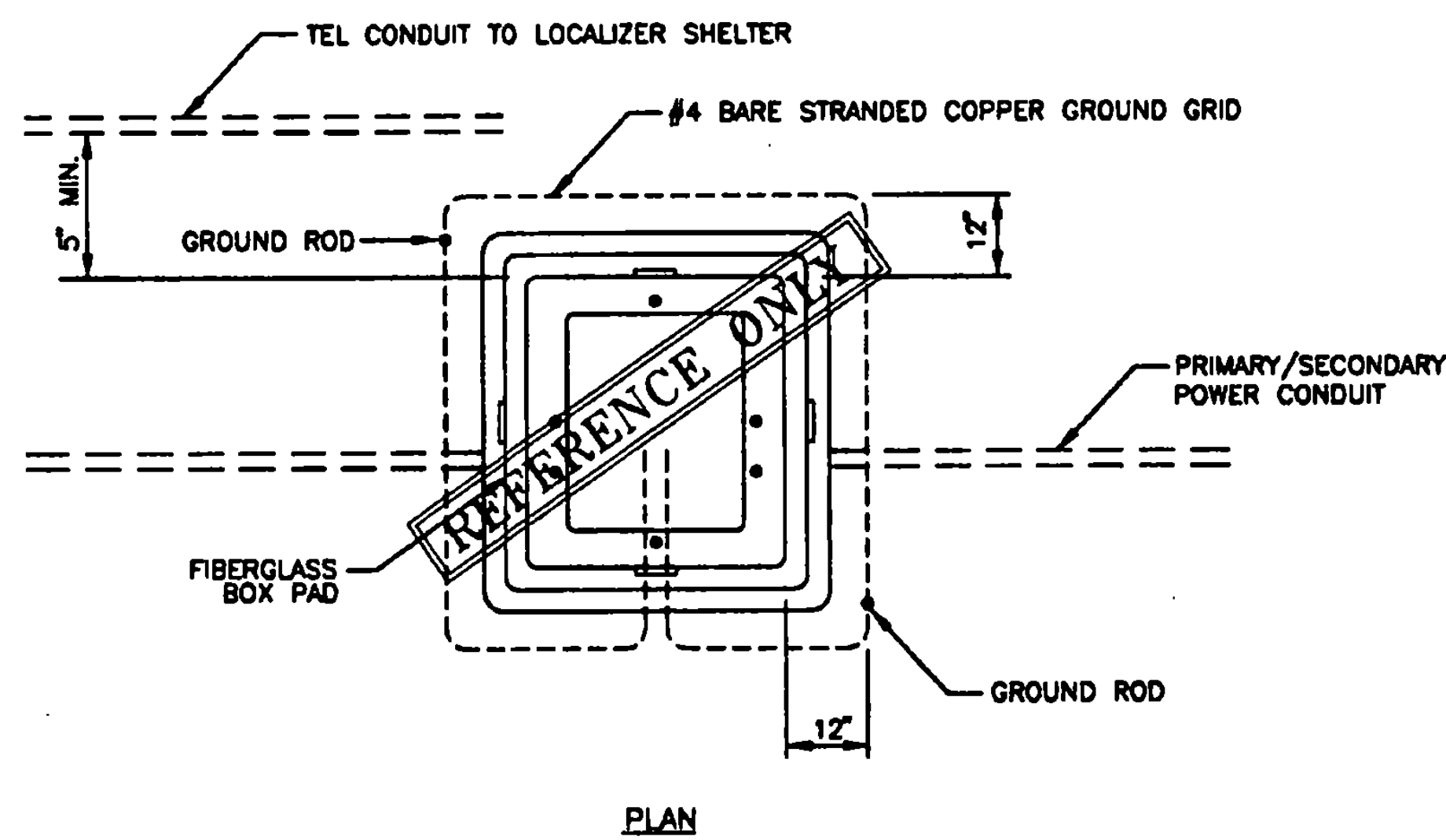
**J TELEPHONE STUB-UP**  
SCALE: NONE



**O POWER & COMMUNICATION HANDHOLE DETAIL**  
SCALE: 1"=1'-0"

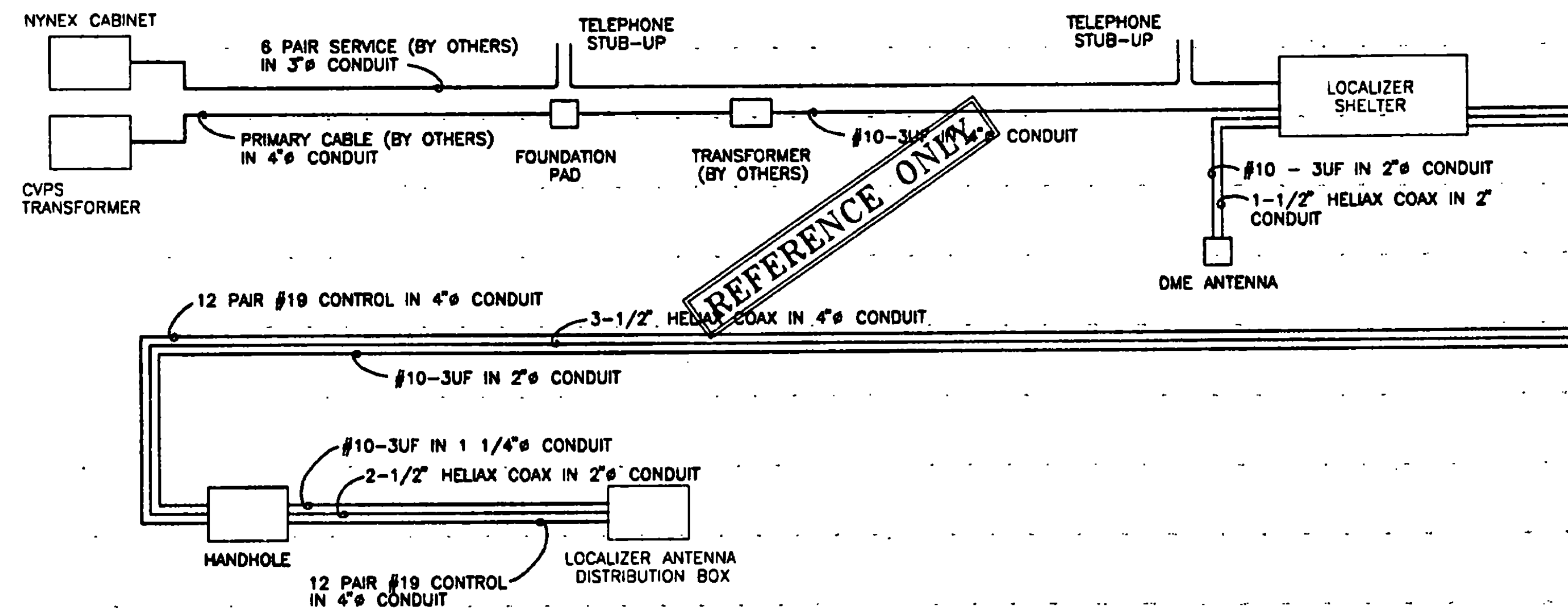


**P CONDUIT TRENCH FROM DME TO SHELTER**  
SCALE: NONE



**K PULL BOX DETAILS**  
SCALE: NONE

NOTE:  
PULL BOX PROVIDED BY CVPS,  
INSTALLED BY CONTRACTOR. ALL  
GROUNDING WORK PROVIDED BY  
CONTRACTOR. PROVIDED 3" MIN.  
HORIZONTAL CLEARANCE BETWEEN  
PULL BOX AND NEW TELEPHONE  
CONDUIT ADJACENT TO PULL BOX.



**Q WIRING DIAGRAM**  
SCALE: NONE



REV.	DATE	DESCRIPTION

RUTLAND STATE AIRPORT  
CLARENDON, VERMONT

LOCALIZER SITE DETAILS

**URS Greiner, Inc.**  
3 MARCUS BOULEVARD  
ALBANY, NEW YORK

Designed by: Date: 2/77  
Checked by: Date: 3/77  
Approved by: Date: 5/77

Scale: HOR. - NONE  
VERT. - NONE

Date: 5/8/77

Sheet 02 Of 03

Sheet No  
**62**