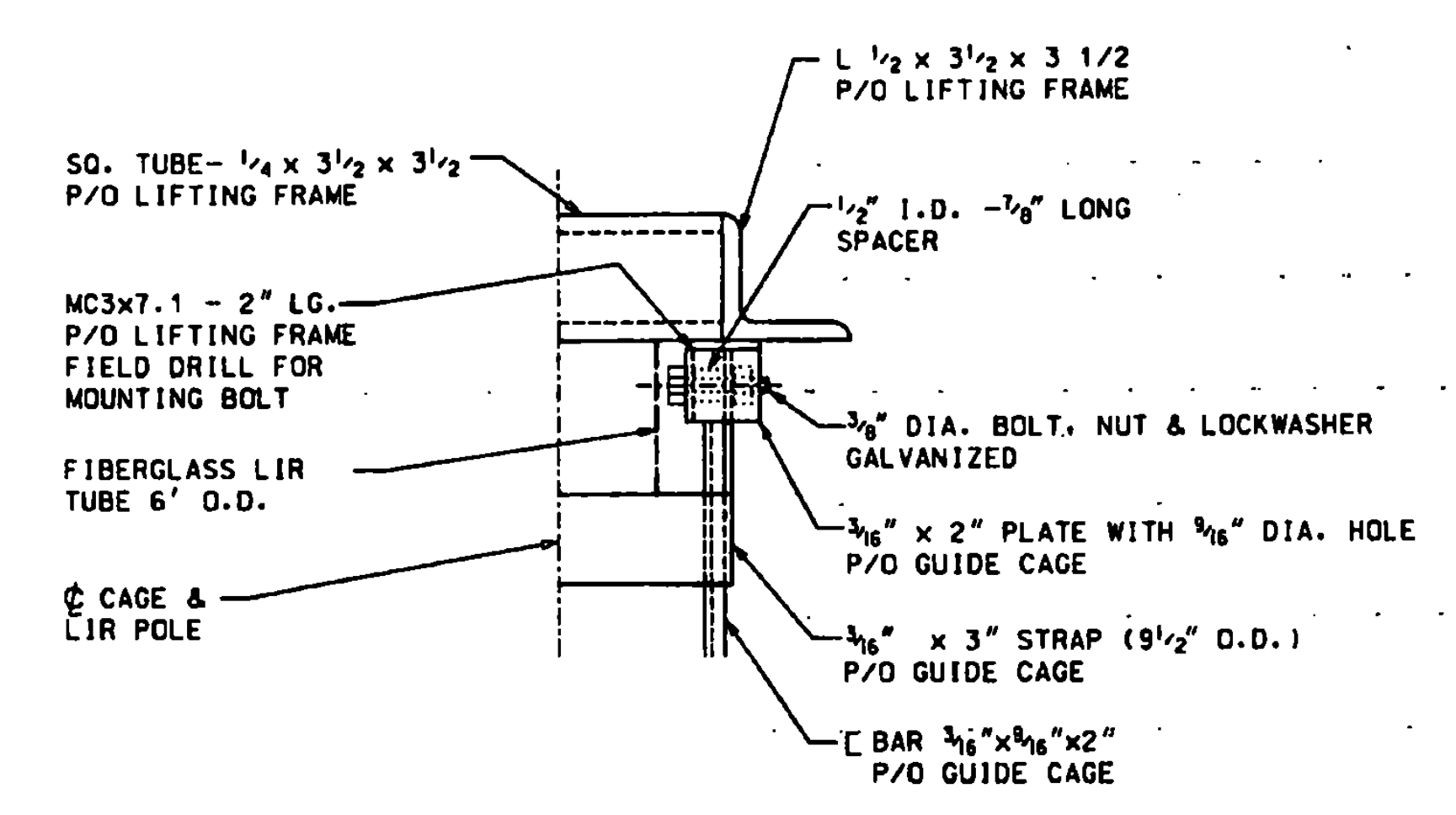
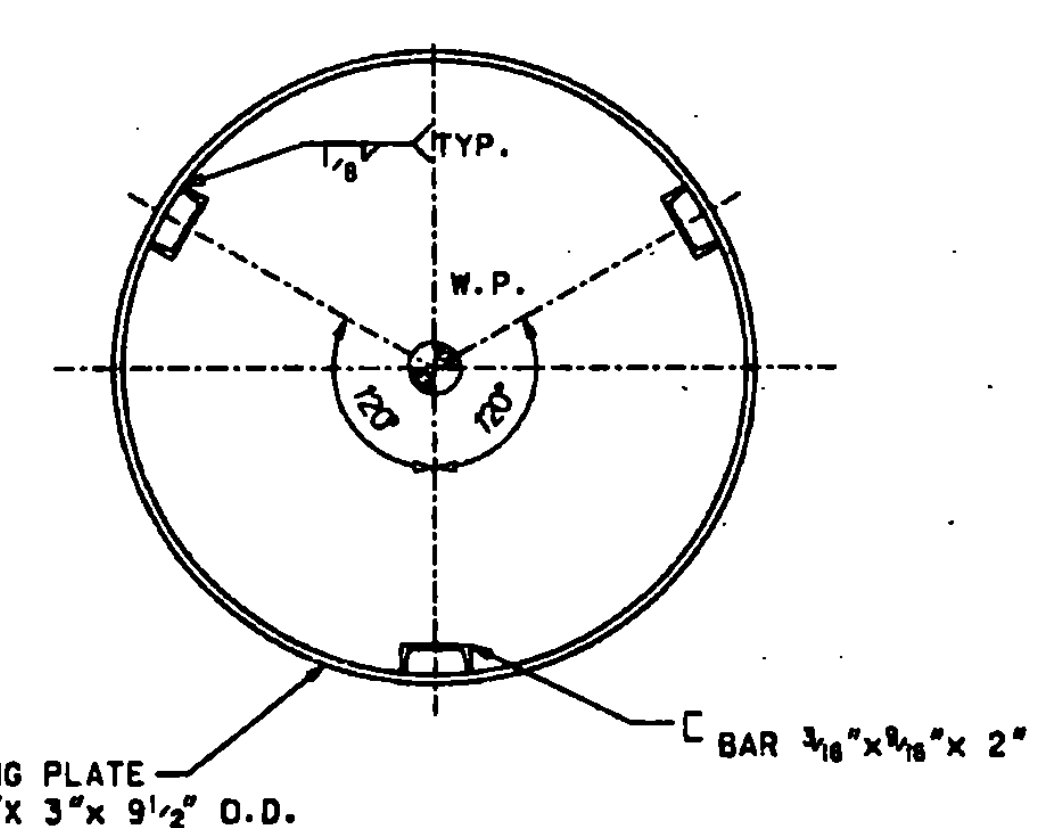


SIDE VIEW
N.T.S

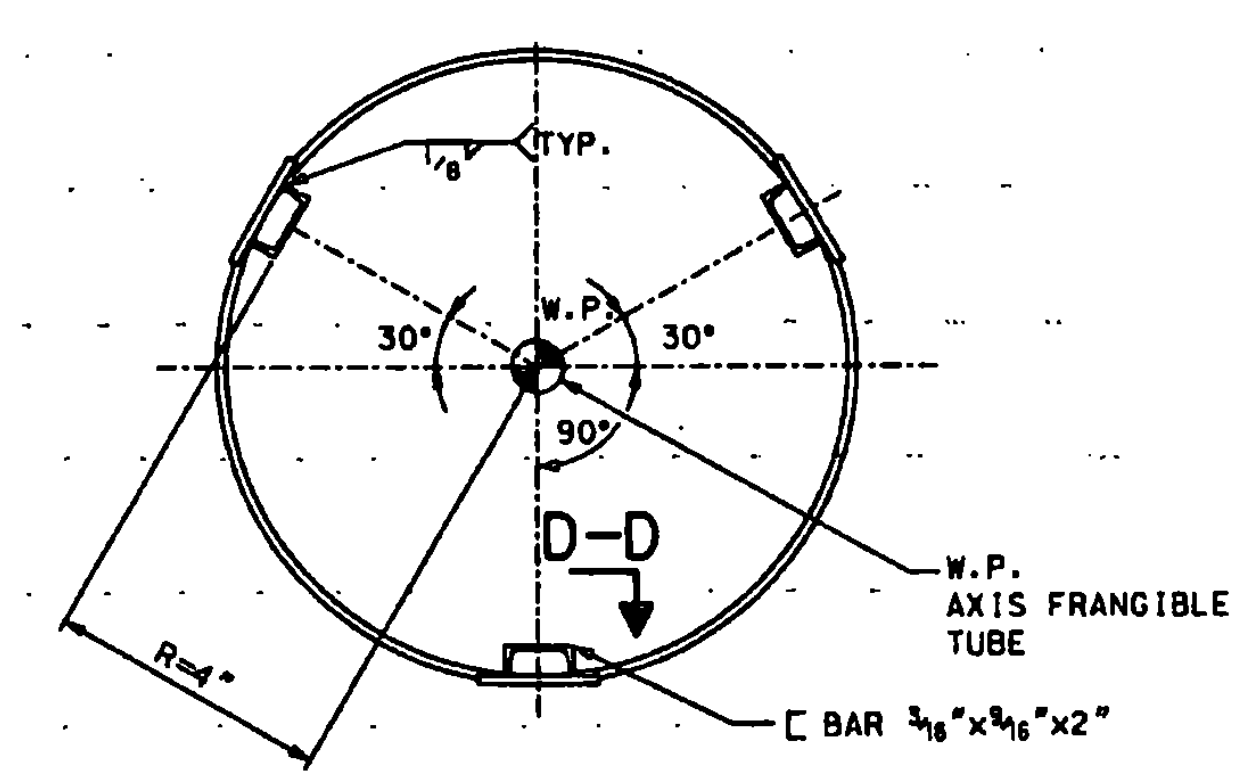
GUIDE CAGE GC
N.T.S



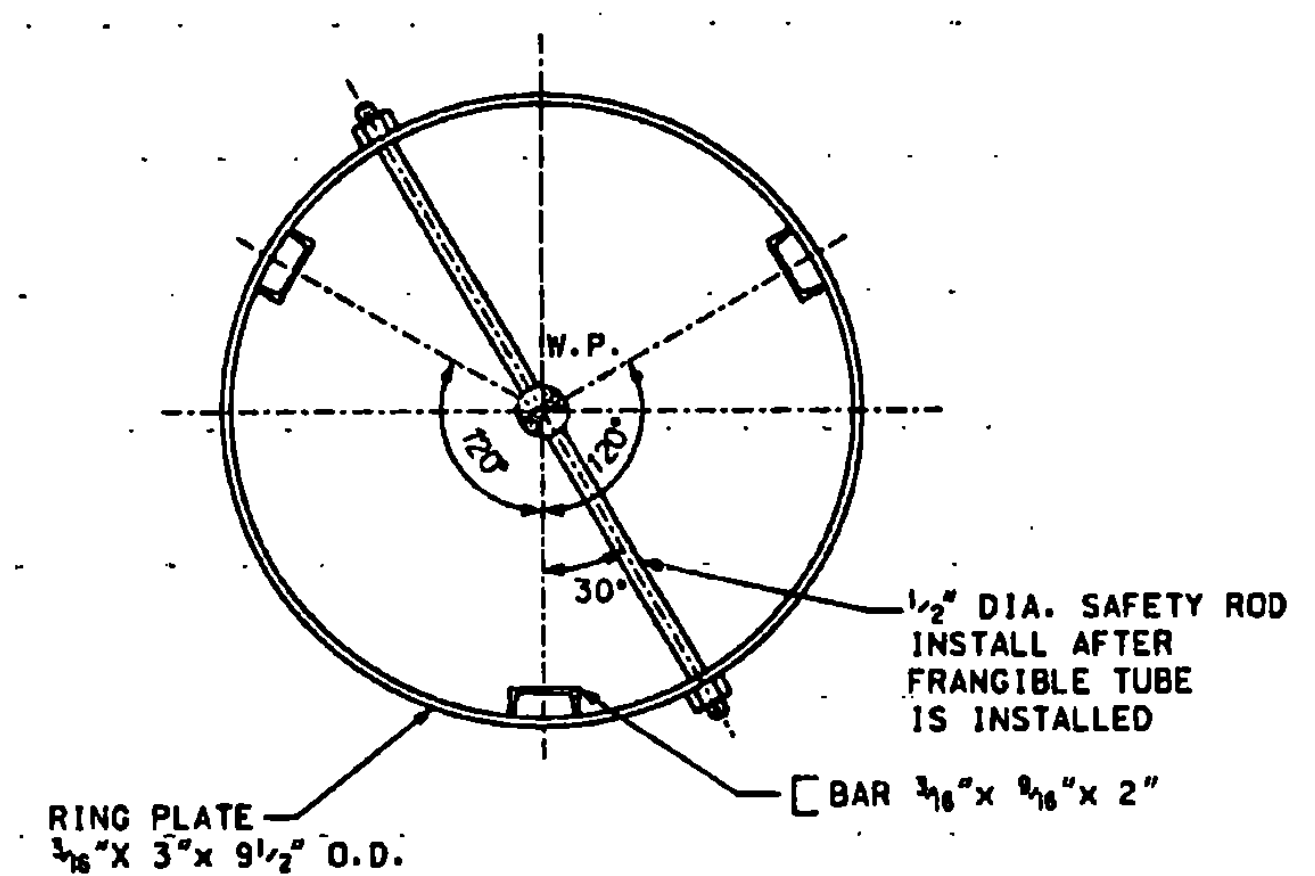
GUIDE CAGE MOUNTING DETAIL
SCALE: 3\"/>



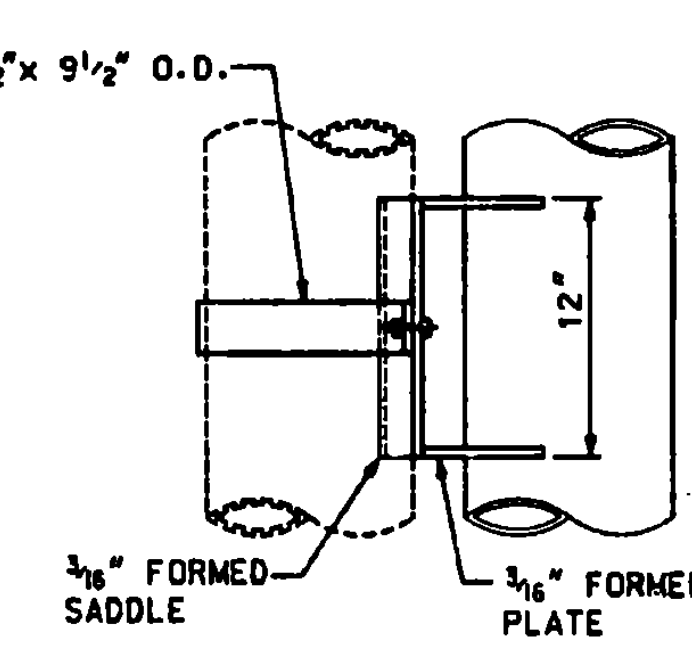
SECTION GC-2
N.T.S



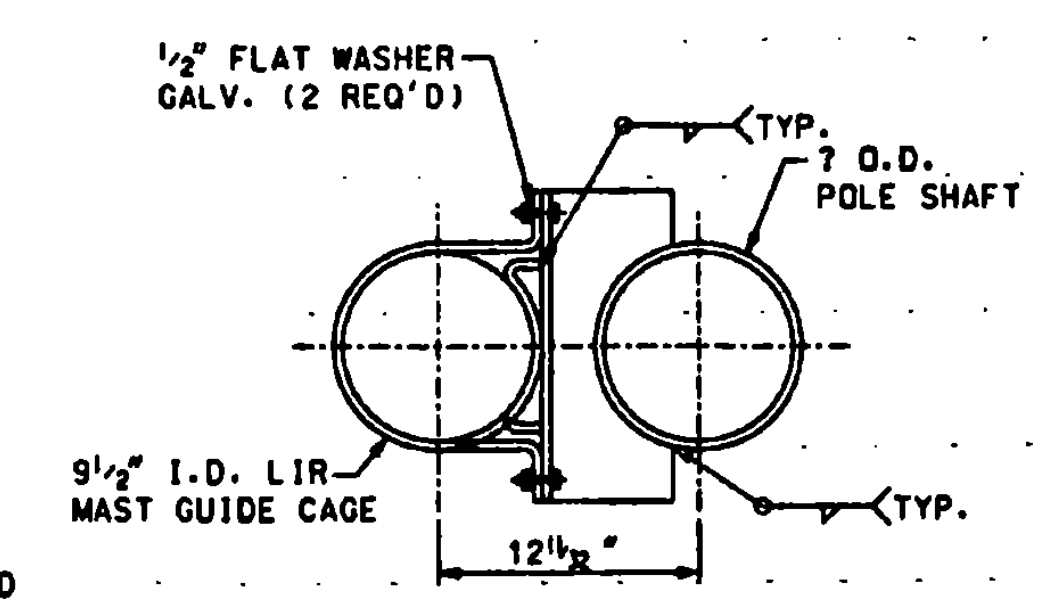
SECTION GC-1
N.T.S



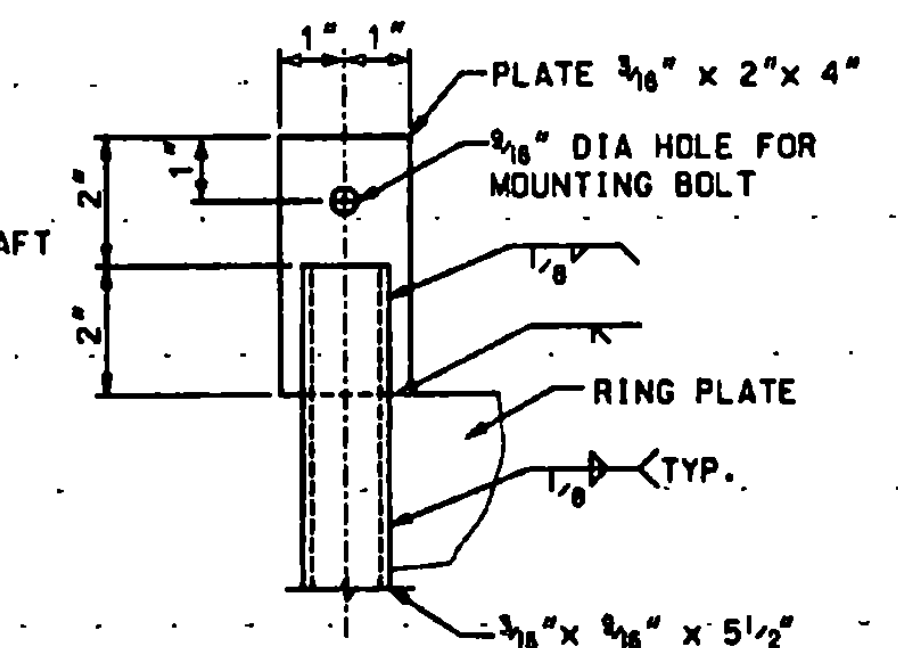
SECTION GC-1
N.T.S



SIDE VIEW



TOP VIEW



SECTION D-D
N.T.S

GUIDE CAGE MOUNTING BRACKET
N.T.S

RUTLAND STATE AIRPORT CLARENDON, VERMONT	ODALS UNIT #6 L.I.R. GUIDE CAGE DETAILS
URS Greiner, Inc 3 MARCUS BOULEVARD ALBANY, NEW YORK	

Designed By: C.P. MITCHELL 2/7/77	Checked By: S.P. MITCHELL 3/2/77	Approved By: M. CHURCHILL 5/2/77	
Scale: AS NOTED			
Date: 5/8/77			
Sheet 40 Of 63			
Sheet No 40			