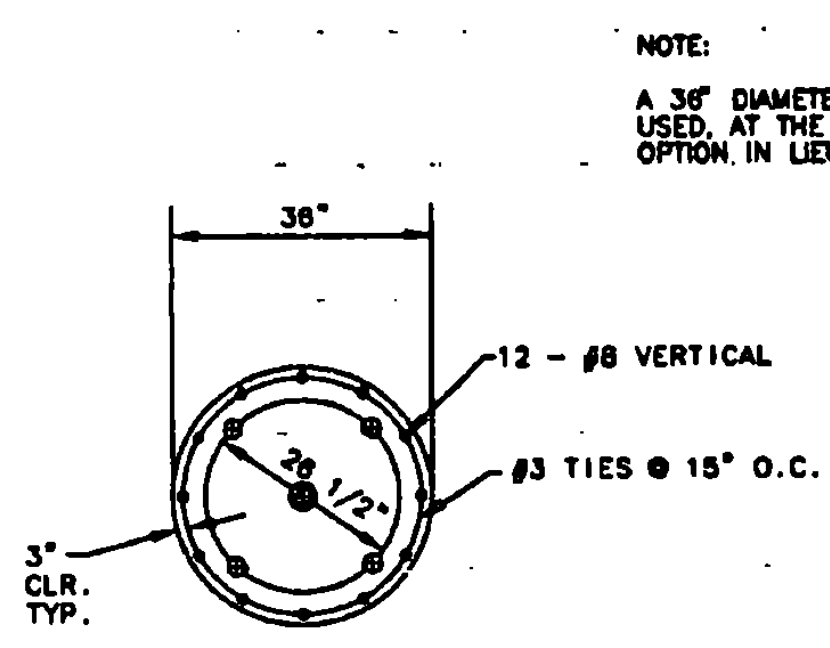
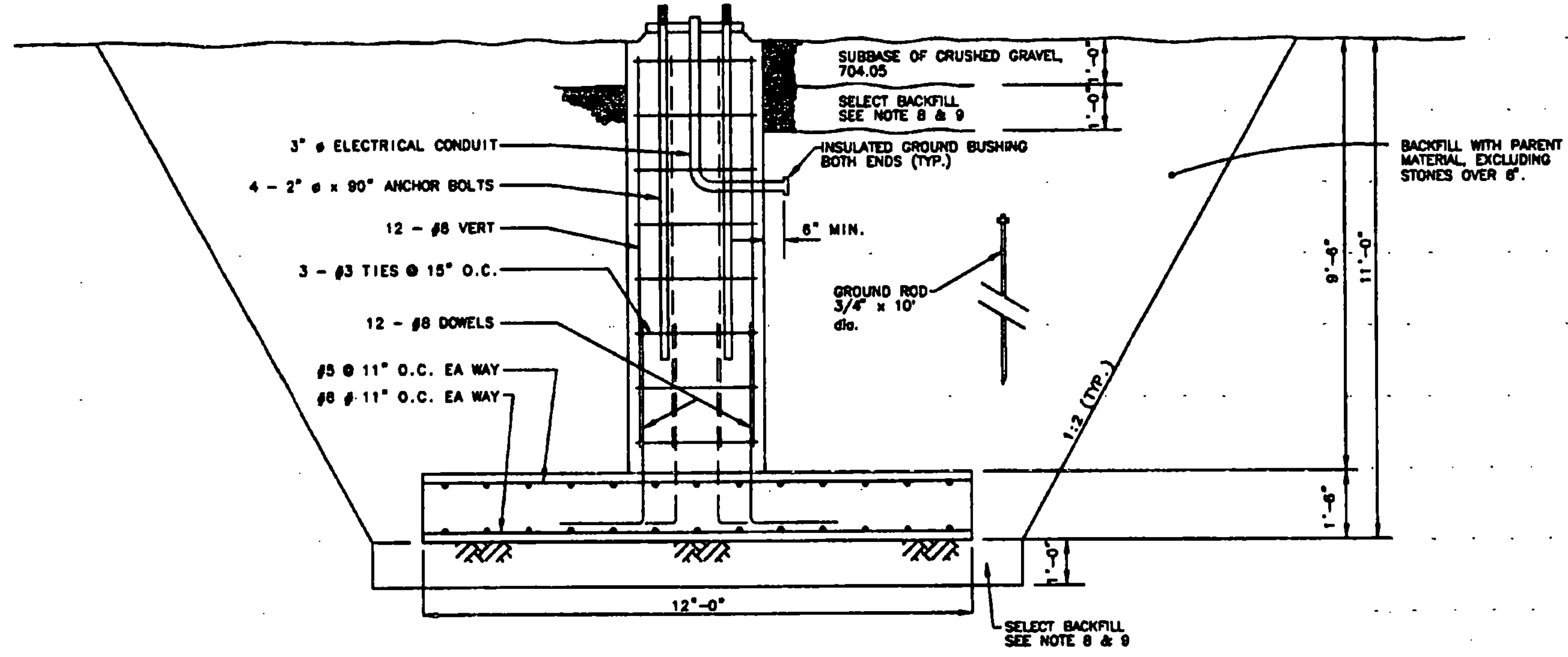


PLAN



36" DIA. FOUNDATION PIER

NOTE:  
A 36" DIAMETER PIER MAY BE USED, AT THE CONTRACTOR'S OPTION, IN LIEU OF THE SQUARE PIER.

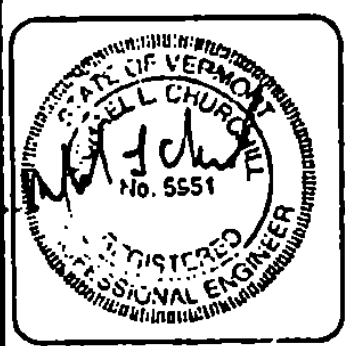


SECTION

FOUNDATION NOTES

1. CONCRETE TO CONFORM TO VAOT SPECIFICATIONS SECTION 501 - STRUCTURE CONCRETE, CLASS A.
2. REINFORCING STEEL TO CONFORM TO VAOT SPECIFICATIONS SECTION 507 - REINFORCING STEEL. STEEL TO BE ASTM A615, GRADE 60, EXCEPT STIRRUPS AND TIES TO BE GRADE 40.
3. REINFORCEMENT SHALL BE TIED SECURELY IN PLACE BEFORE PLACING CONCRETE USING APPROVED CHAIRS AND SPACERS. NO BARS SHALL BE CUT OR OMITTED IN THE FIELD WITHOUT THE APPROVAL OF THE ENGINEER. USE PLASTIC TIPPED ACCESSORIES IN CONCRETE EXPOSED TO WEATHER, WATER OR VIEW.
4. THE CONTRACTOR SHALL INSTALL ALL ANCHORS, BOLTS, PLATES, NAILERS, SLOTS, CHASES, PIPE SLEEVES, ETC., AS REQUIRED BY OTHER TRADES. THE CONTRACTOR SHALL VERIFY ALL DIMENSIONS BEFORE SETTING SCREEDS AND FORMS.
5. FOOTINGS SHALL REST ON SUITABLE UNDISTURBED SOIL OR COMPACTED GRANULAR FILL HAVING A MINIMUM BEARING CAPACITY OF 3000 PSF. THE ENGINEER SHALL BE NOTED PROMPTLY OF ANY WEAK STRATA, WATER CONDITIONS OR OTHER POOR BEARING CONDITIONS.
6. UNLESS OTHERWISE NOTED, ALL FOOTINGS AND PIERS SHALL BE CENTERED UNDER SUPPORT MEMBERS.
7. CONCRETE TEMPERATURES DURING THE FIRST SEVEN DAYS SHALL BE MAINTAINED BETWEEN 50 F AND 90 F. RAPID DRYING MUST BE PREVENTED. ALL SURFACES SHALL BE KEPT CONTINUOUSLY MOIST FOR A MINIMUM OF SEVEN DAYS.
8. BACKFILLING AGAINST PIERS SHALL BE DONE BY PLACING LEVEL LAYERS ALL AROUND THE PIER. PIERS MUST BE AT LEAST SEVEN DAYS OLD BEFORE BACKFILLING.
9. SELECT BACKFILL SHALL:
  - A. CONFORM TO VAOT 704.04.
  - B. BE PLACED IN MAXIMUM 6" LEVEL LIFTS AND COMPACTED TO 90 % MAXIMUM DENSITY AT OPTIMUM MOISTURE CONTENT AS DEFINED BY ASTM D-1557.
10. CONTRACTOR TO DESIGN, FURNISH AND INSTALL ALL TEMPORARY SHEETING, SHORING AND BRACING NECESSARY TO COMPLETE THE CONSTRUCTION.
11. THE CONTRACTOR SHALL PROVIDE THE NECESSARY EQUIPMENT AND DEWATER THE SITE TO FACILITATE CONSTRUCTION AND SAFE WORKING CONDITIONS.
12. SHOP DRAWINGS PREPARED IN ACCORDANCE WITH ACI STANDARDS WILL BE REQUIRED FROM THE CONTRACTOR FOR REINFORCING STEEL PRIOR TO CONSTRUCTION.
13. DESIGN LOADS:
 

MOMENT	=	228 K-FT.
VERTICAL SHEAR	=	6256 LBS.
HORIZONTAL SHEAR	=	4360 LBS.



REV.	DATE	DESCRIPTION

Job No. 11-102121P  
File No. 11-102121P

RUTLAND STATE AIRPORT  
CLARENDON, VERMONT

ODALS TOWER FOUNDATION DETAILS

**URS Greiner, Inc.**  
3 MARCUS BOULEVARD  
ALBANY, NEW YORK

Designed by	D. J. MCO	Date	2/97
Drawn by	M. BODALLA	3/97	
Checked by	D. J. MCO	5/97	
Approved by	M. BODALLA	5/97	

Scale: AS SHOWN VS - AS SHOWN

Date: 5/9/97

Sheet 37 Of 60

Sheet No