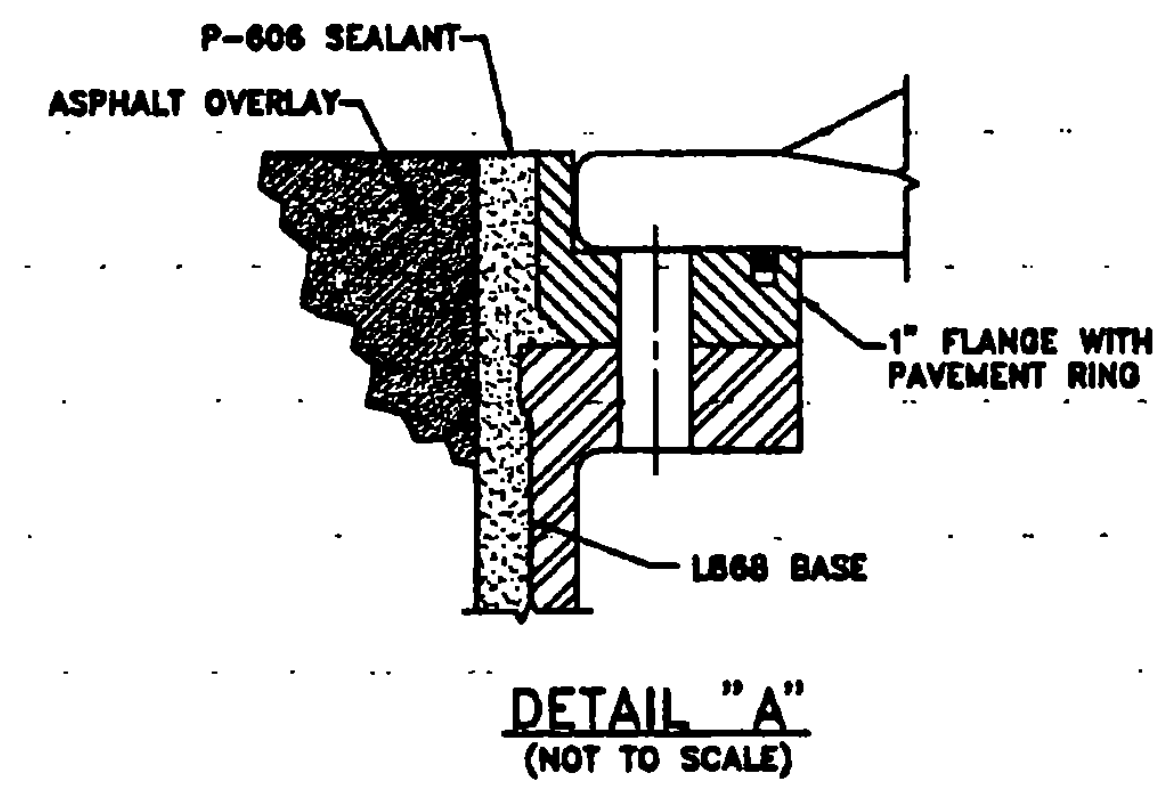
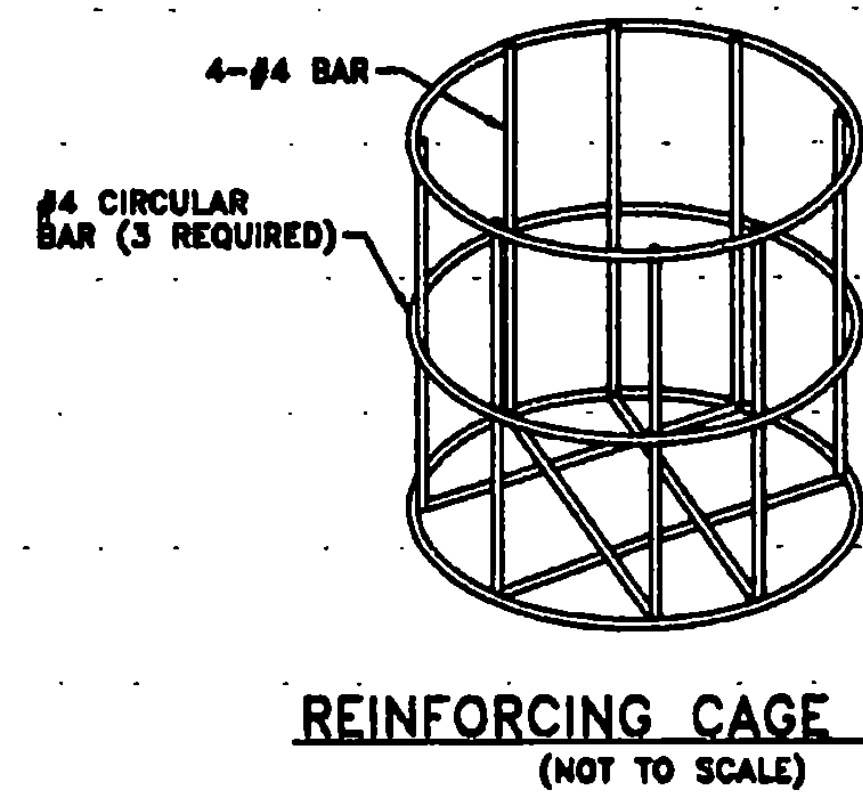
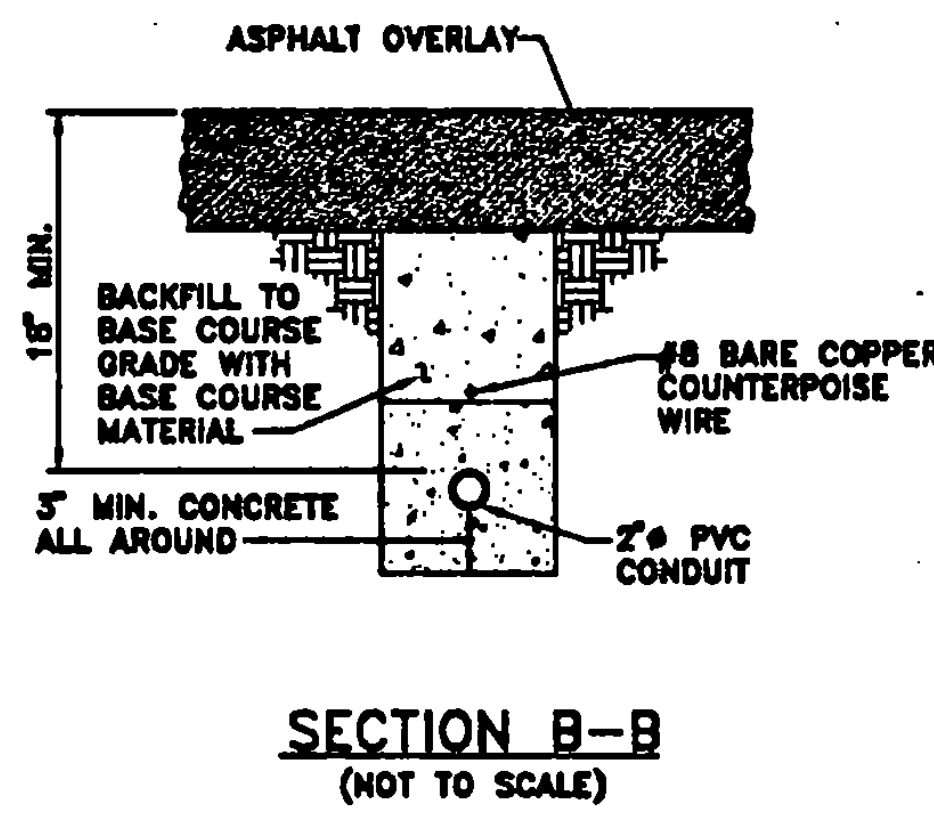
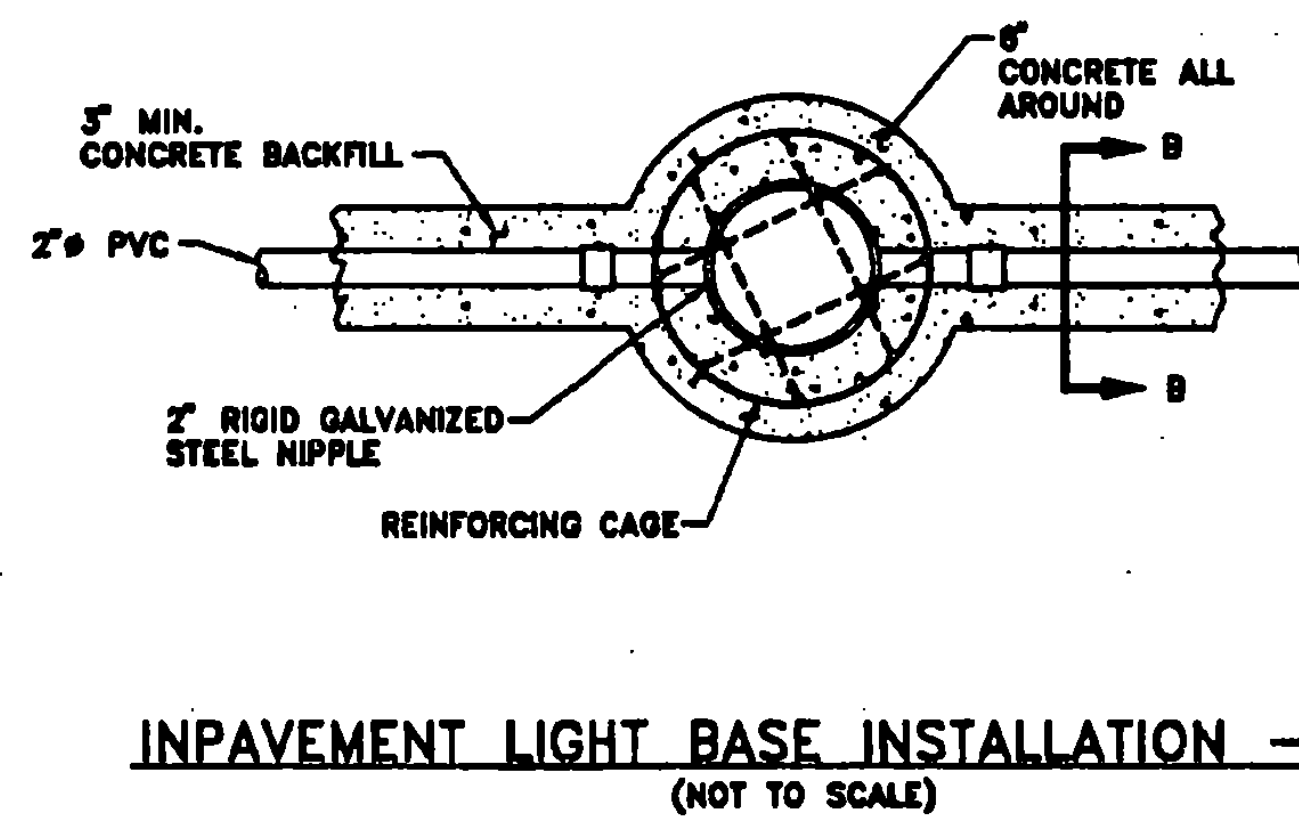
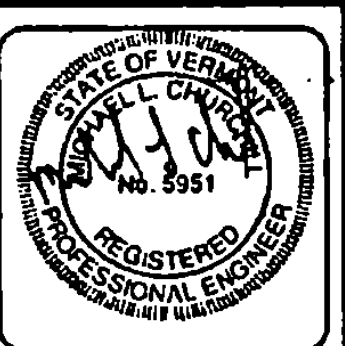


GENERAL NOTES:

1. VIBRATE CONCRETE BACKFILL TO ENSURE THERE ARE NO VOIDS.
2. CONCRETE TO CONFORM TO VAOT SPECIFICATIONS SECTION 501, CLASS B, 3/4" MAX SIZE AGGREGATE
3. PRIOR TO ASPHALT PAVING, COVER MUD PLATE WITH A SHINGLE OR ANOTHER THIN ARTICLE WHEN TACK COAT IS APPLIED PRIOR TO PAVING. BEFORE PAVING COMMENCES, REMOVE SHINGLE AND LIGHTLY WIPE DOWN MUD PLATE WITH VEGETABLE OIL.
4. TIGHTEN ALL BOLTS TO THE TORQUE SPECIFIED BY THE MANUFACTURER. DO NOT REUSE SHIPPING BOLTS TO INSTALL COVERS.



INSTALLATION OF IN PAVEMENT LIGHTING (L-850-C)



REV.	DATE	DESCRIPTION

RUTLAND STATE AIRPORT
CLARENDON, VERMONT

RUNWAY LIGHTING DETAILS

URS Greiner, Inc.
3 MARCUS BOULEVARD
ALBANY, NEW YORK

Designed by:	C. D'AMICO	Date:	2/87
Drawn by:	M. MCELROY	Checked by:	C. D'AMICO
Approved by:	D. COZZARELLI	Date:	5/8/87

Scale: HS = 1/4" VS = 1/4"

Sheet 33 Of 65

Sheet No. **33**