



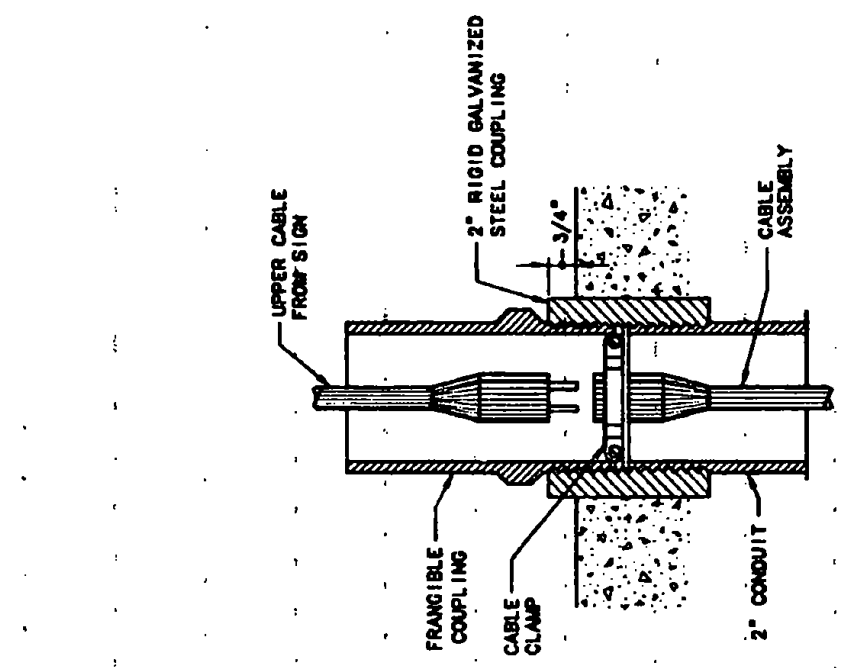
REV.	DATE	DESCRIPTION

RUTLAND STATE AIRPORT
CLANDON, VERMONT

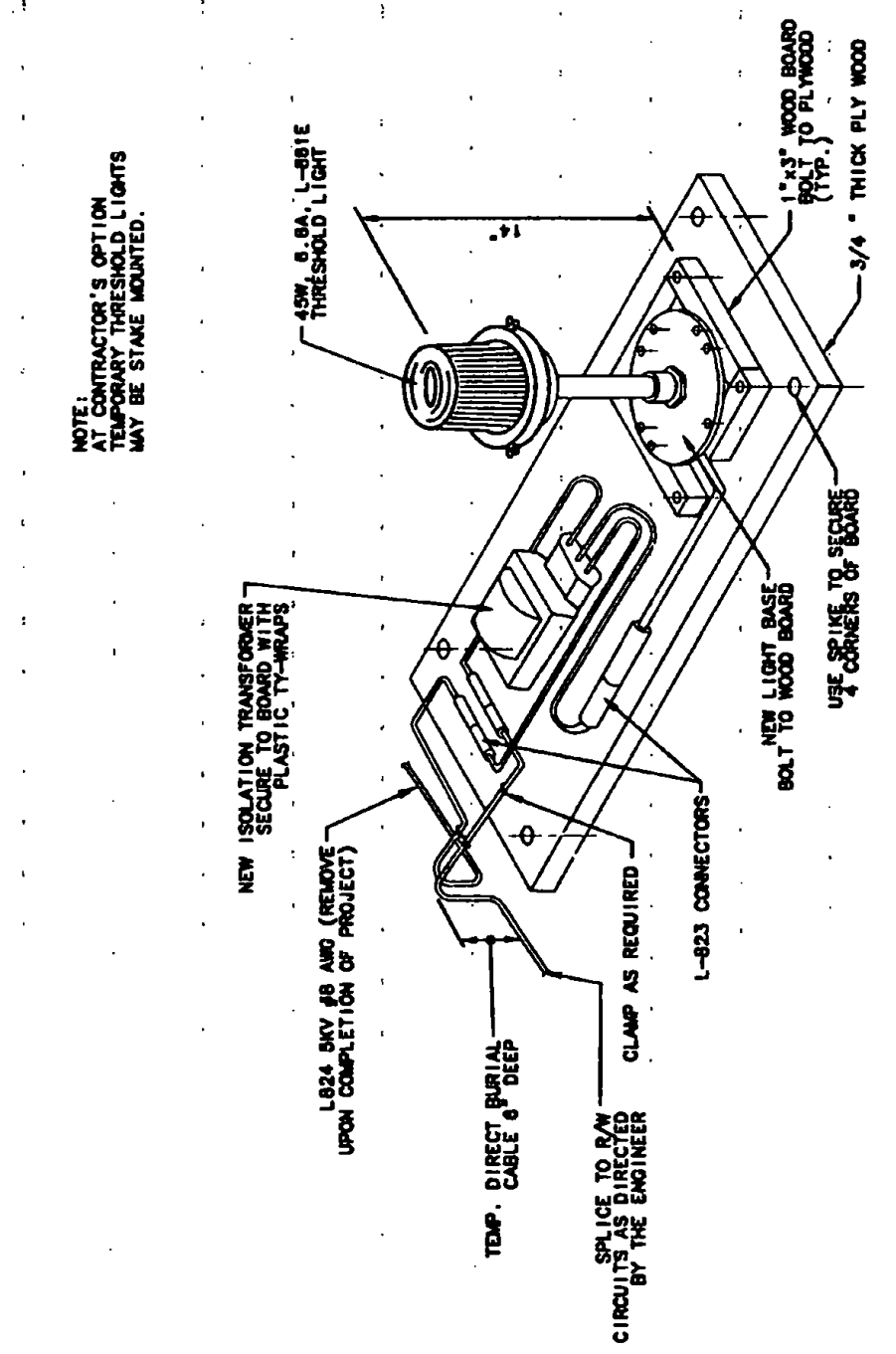
RUNWAY LIGHTING DETAILS

URS Greiner, Inc.
3 MARCUS BOULEVARD
ALBANY, NEW YORK

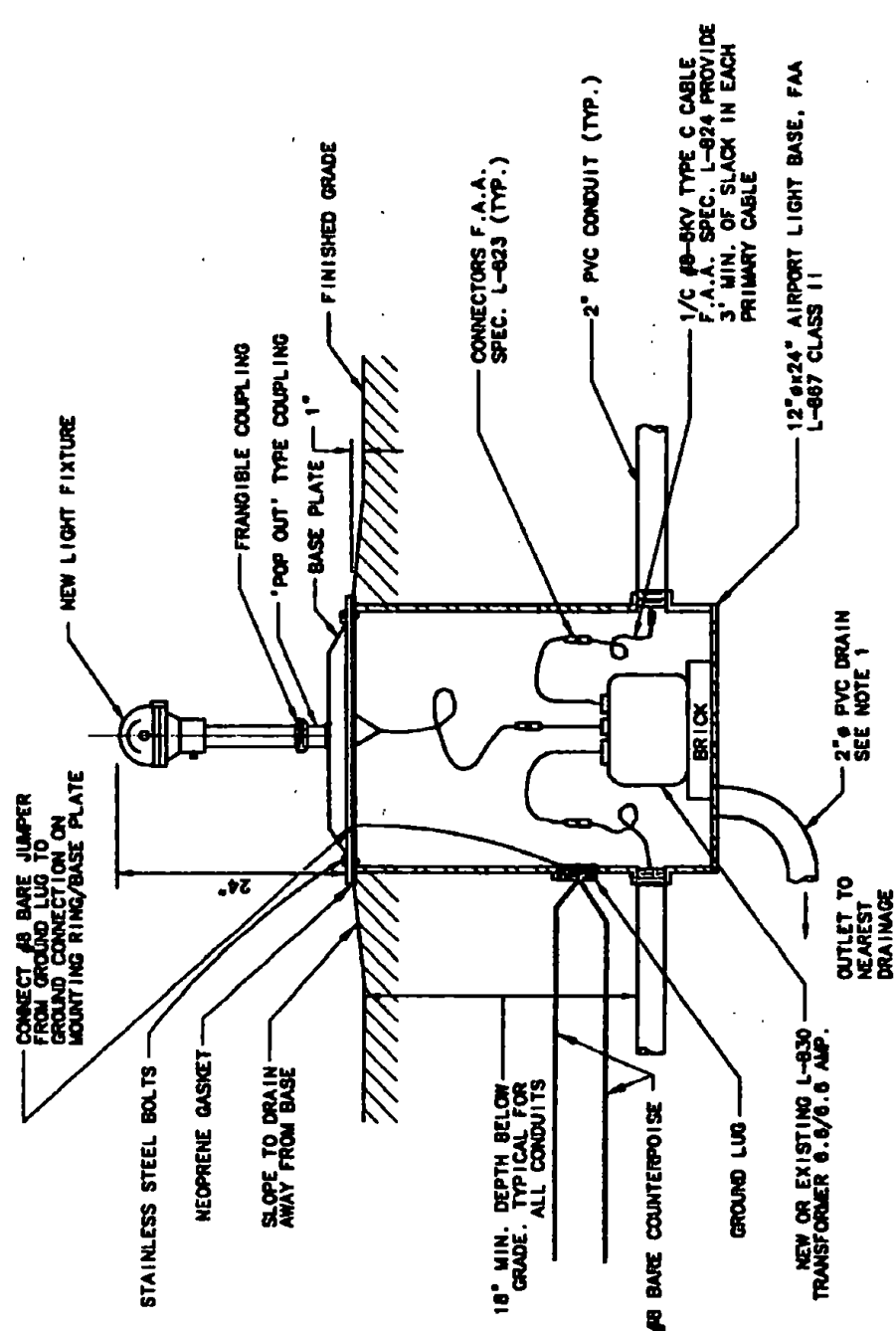
Designed By C. GARDNER	Checked By A. GARDNER	Approved By S. GARDNER
Drawn By S. GARDNER	Rechecked By S. GARDNER	Fieldchecked By S. GARDNER
Scale AS SHOWN	Date 10/1/77	Sheet No. of 10
Sheet No.		



FRANGIBLE COUPLING
CONNECTION DETAIL
NOT TO SCALE

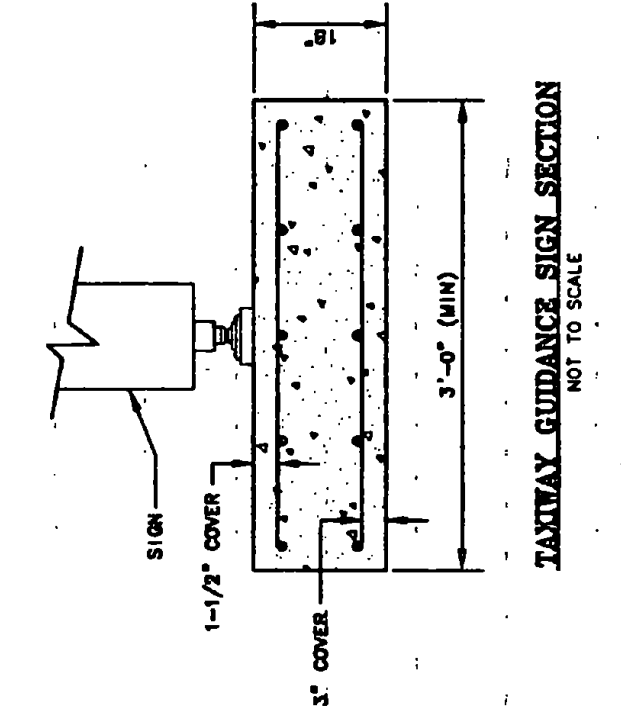


TEMPORARY THRESHOLD LIGHT
NOT TO SCALE

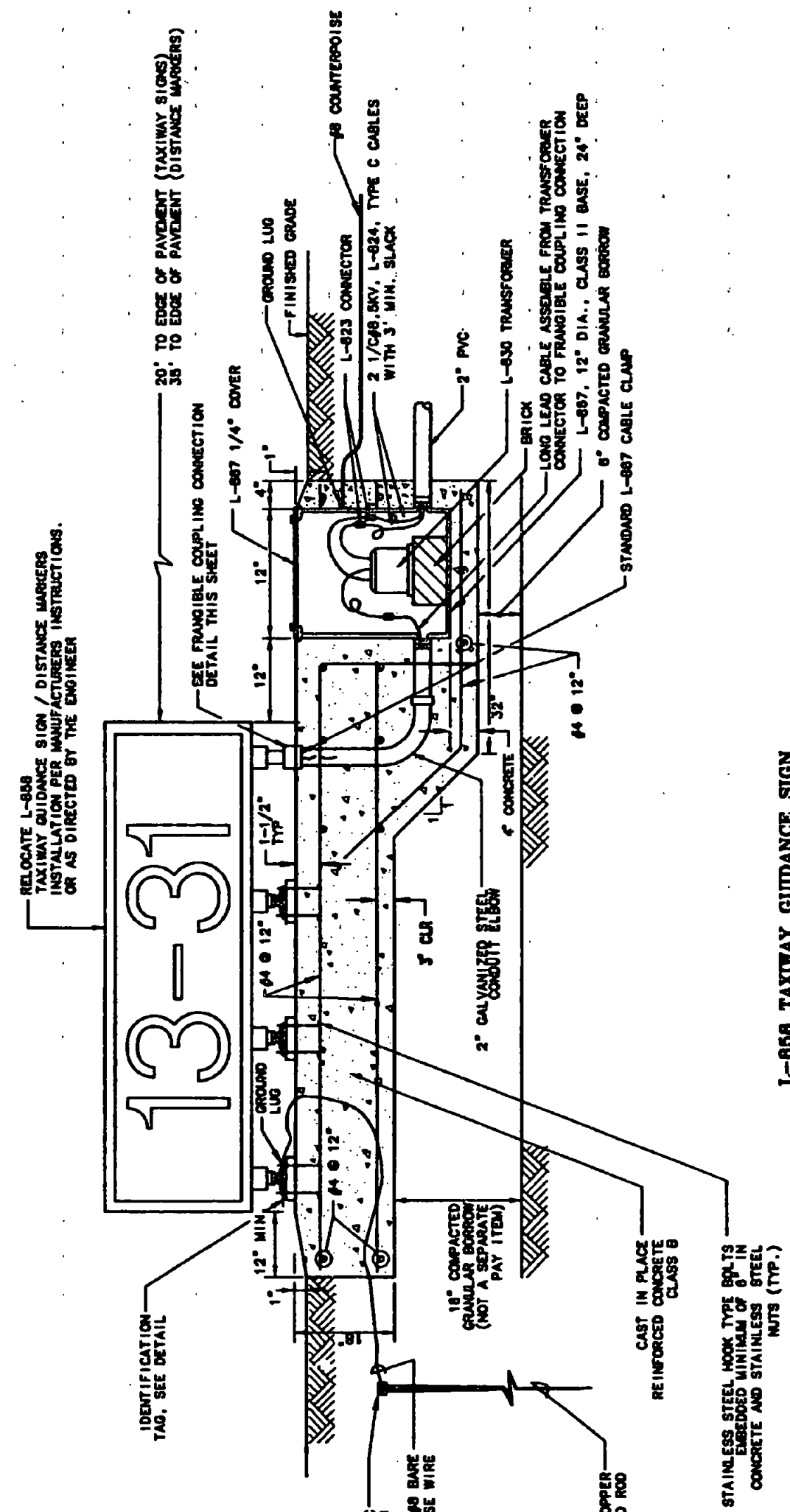


TYPICAL REPAIRED EDGE LIGHT
NOT TO SCALE

NOTE:
1. ALL BASES SHALL BE PLACED ON A 1/2\"/>



TAXIWAY GUIDANCE SIGN SECTION
NOT TO SCALE



L-868 TAXIWAY GUIDANCE SIGN
NOT TO SCALE

AIP 3-50-0015-11