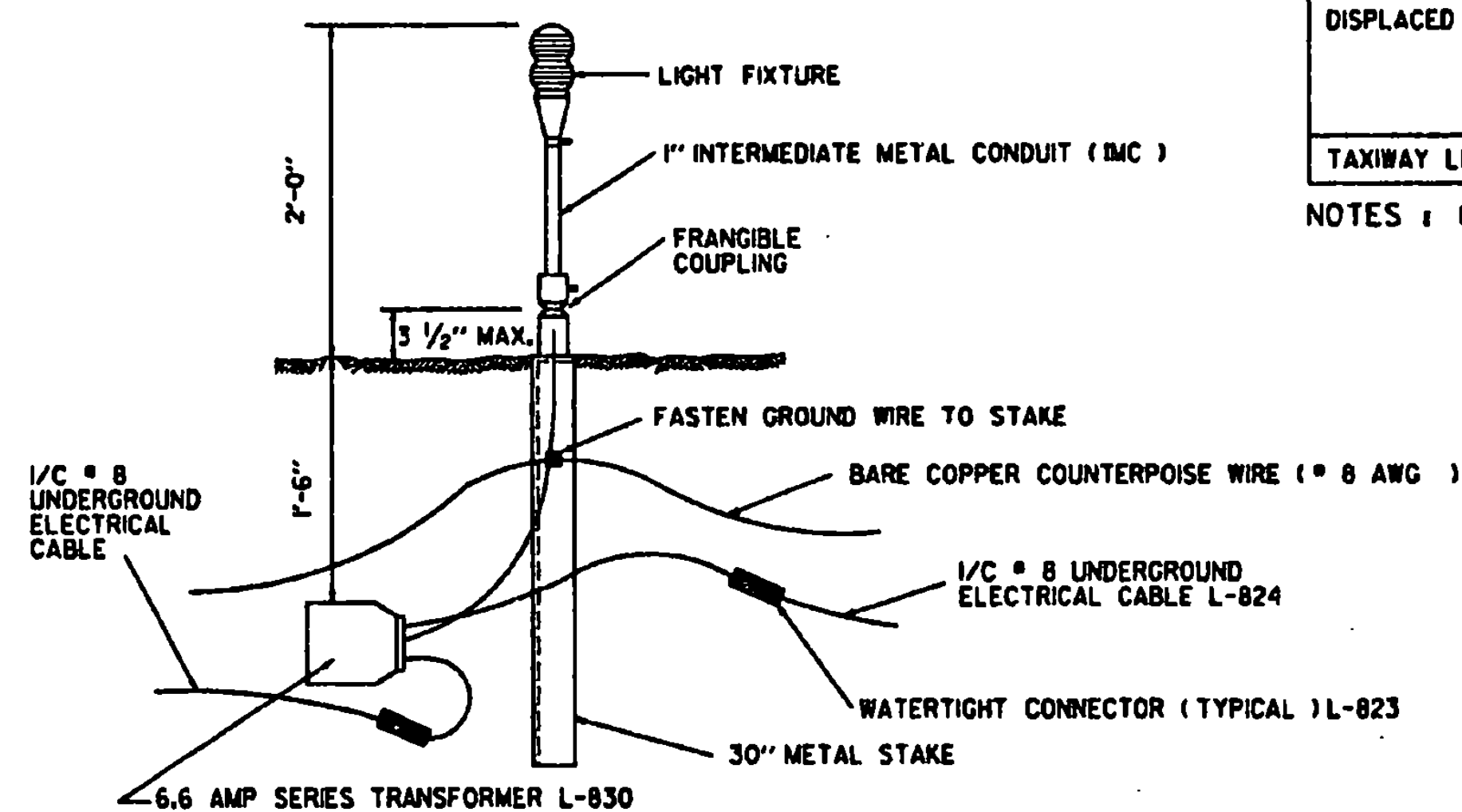


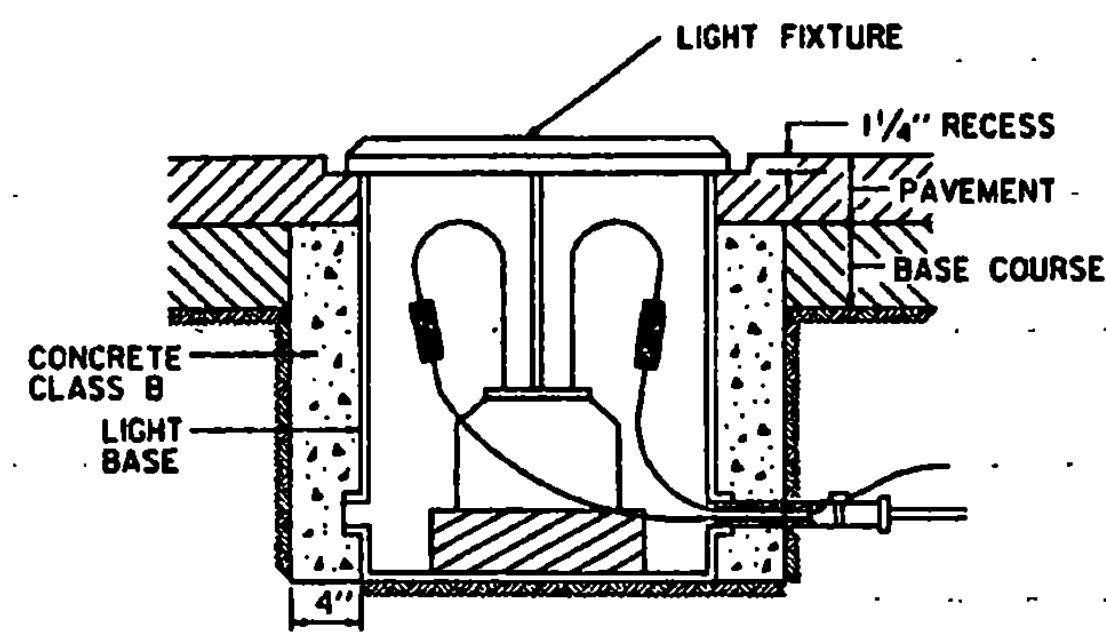
- NOTES :
1. PROVIDE 3 FEET OF SLACK IN CABLES AT TRANSFORMER. SEAL END OF CONDUIT (DUCT SEAL)
 2. PROVIDE 1/2\"/>

BASE MOUNTED UNIT
ELEVATED LIGHT
NO SCALE



- NOTES :
1. PROVIDE 3 FEET OF SLACK IN CABLES AT TRANSFORMER. 30\"/>

STAKE MOUNTED UNIT
ELEVATED LIGHT
NO SCALE



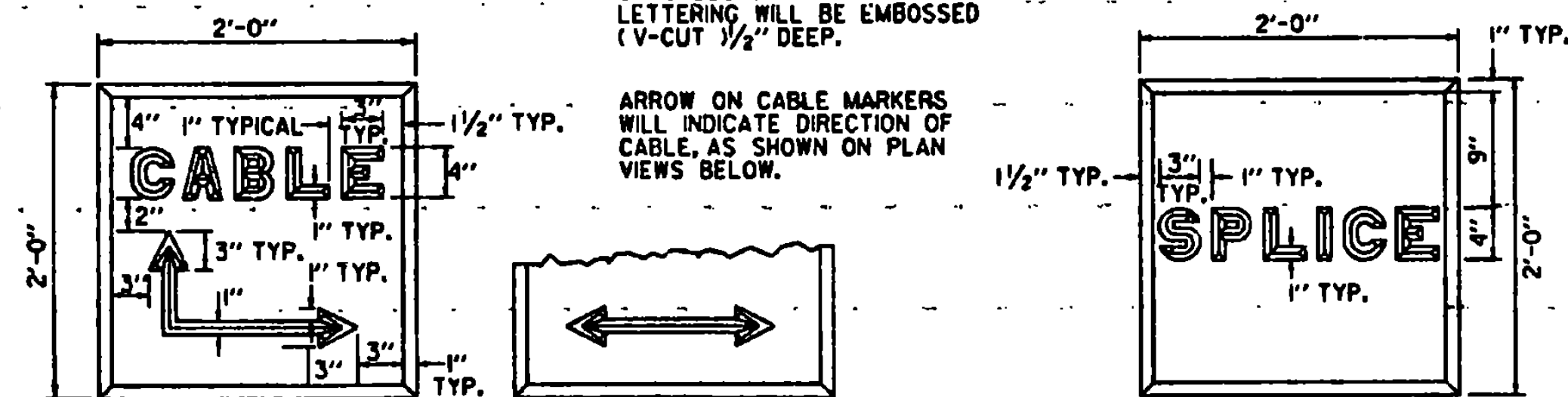
NOTE 1 FOR ALL OTHER DETAILS, SEE BASE MOUNTED UNIT FOR ELEVATED LIGHT.

BASE MOUNTED UNIT
SEMI-FLUSH LIGHT
NO SCALE

LIGHT LOCATION	LAMP		LENS
	MEDIUM INTENSITY	HIGH INTENSITY	
RUNWAY EDGE LIGHT	6.6A, 30W	6.6A, 15-20W	360° CLEAR 180° CLEAR/180° YELLOW
RUNWAY THRESHOLD LIGHT	6.6A, 45W	6.6A, 15-20W	180° RED/180° GREEN
DISPLACED THRESHOLD LIGHT	6.6A, 30/45W	6.6A, 15-20W	360° RED
			180° RED/180° CLEAR 180° OBSCURED/180° GREEN 180° CLEAR/180° GREEN
TAXIWAY LIGHT	6.6A, 30W		360° BLUE

NOTES 1 & 2 SEE PLAN SHEET FOR LENS/LIGHT TYPE.

NOTE 1 AIRPORT LIGHT BASES SHOULD BE CONSTRUCTED TO FAA SPECIFICATIONS. SEE CURRENT ADVISORY CIRCULAR.



NOTES
HAND LETTERING NOT ALLOWED ON CABLE OR SPLICE MARKERS. LETTERING WILL BE EMBOSSED (V-CUT 1/2\"/>

ARROW ON CABLE MARKERS WILL INDICATE DIRECTION OF CABLE, AS SHOWN ON PLAN VIEWS BELOW.

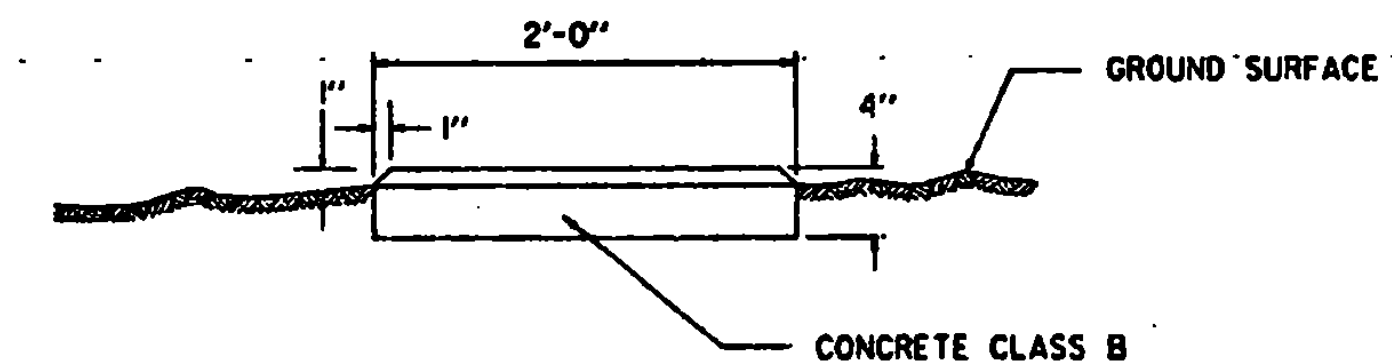
PLAN VIEW WITH ARROW INDICATING CHANGE IN DIRECTION OF CABLE.

PARTIAL PLAN VIEW WITH ARROW INDICATING STRAIGHT-LINE CABLE INSTALLATION.

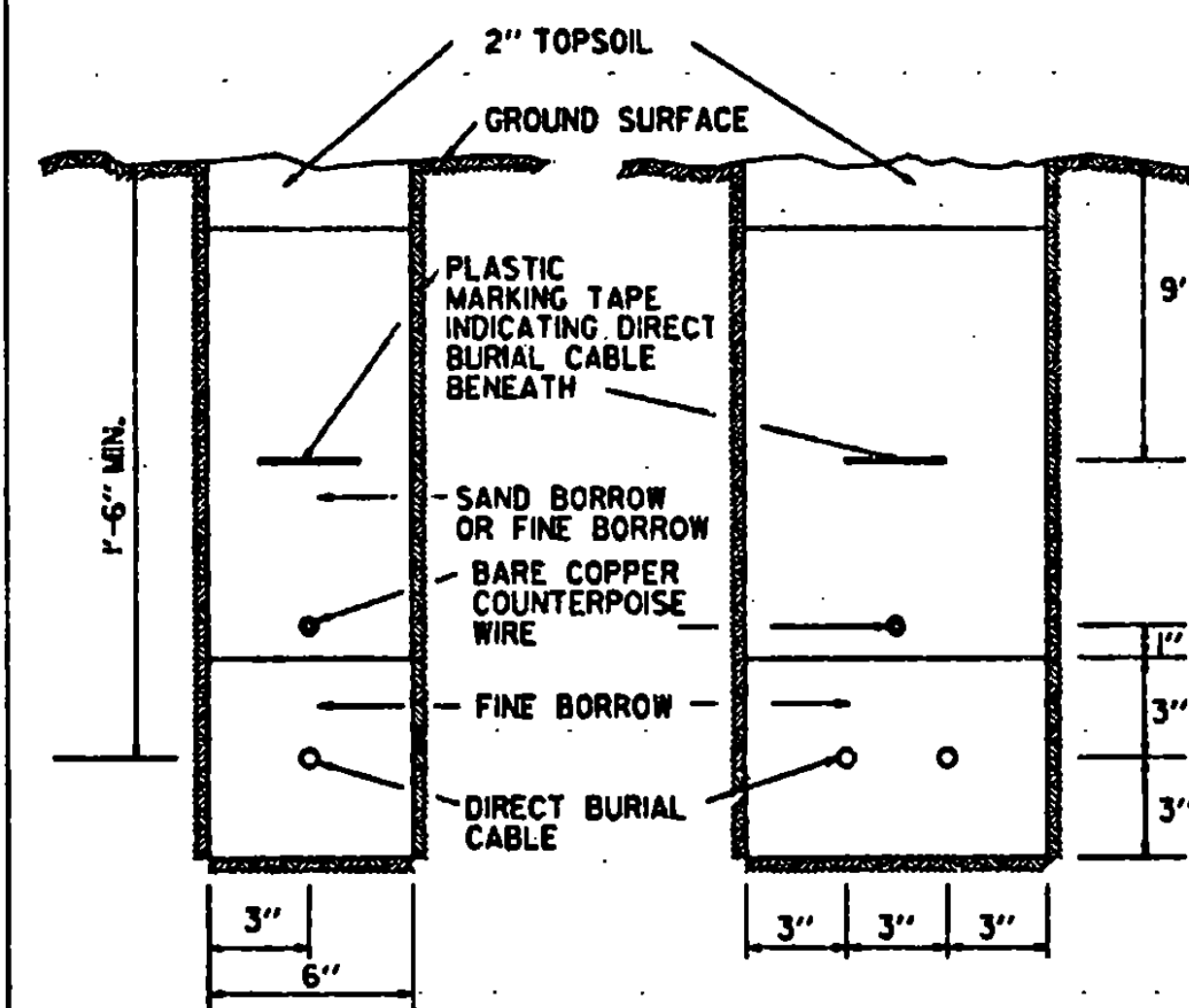
PLAN VIEW
SPLICE MARKER

CABLE MARKER

NOTE 1 SEE STANDARD AP-3 FOR UNDERGROUND ELECTRICAL DUCT DETAILS.



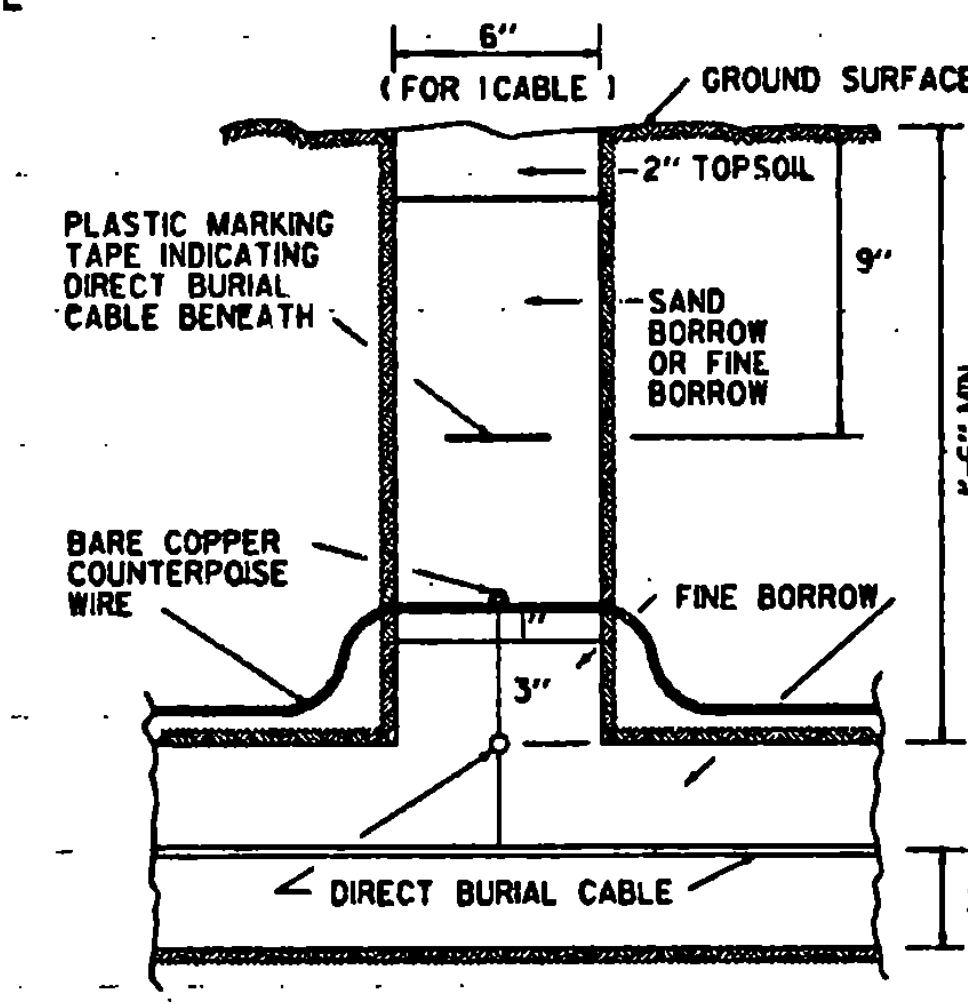
ELEVATION VIEW (TYPICAL FOR CABLE AND SPLICE MARKERS)
CABLE AND SPLICE MARKERS
NO SCALE



SINGLE CABLE INSTALLATION

TWO CABLE INSTALLATION

NOTE 1 FOR MULTIPLE-CABLE INSTALLATIONS, PROVIDE 3\"/>



CABLE TRENCH WITH CABLE CROSSING

NOTE 1 UNDERGROUND ELECTRICAL CABLE SHOULD BE CONSTRUCTED TO FAA SPECIFICATION, SEE CURRENT ADVISORY CIRCULAR.

UNDERGROUND ELECTRICAL CABLE INSTALLATION TRENCH DETAILS
(IN EARTH OR ROCK)
NO SCALE

REVISIONS AND CORRECTIONS

DEC. 15, 1981 - ORIGINAL APPROVAL DATE
MAR. 1, 1990 - SHEET UPDATED
JUNE 1, 1994 - REISSUED, WITHOUT CHANGE, UNDER NEW SIGNATURES.

APPROVED

APPROVED FOR THIS PROJECT AND/OR DESIGN IMPLEMENTATION, FWA FINAL APPROVAL PENDING.

DIRECTOR OF RAIL, AIR AND PUBLIC TRANSIT

LIGHTING & ELECTRICAL DETAILS



**STANDARD
AP-2**