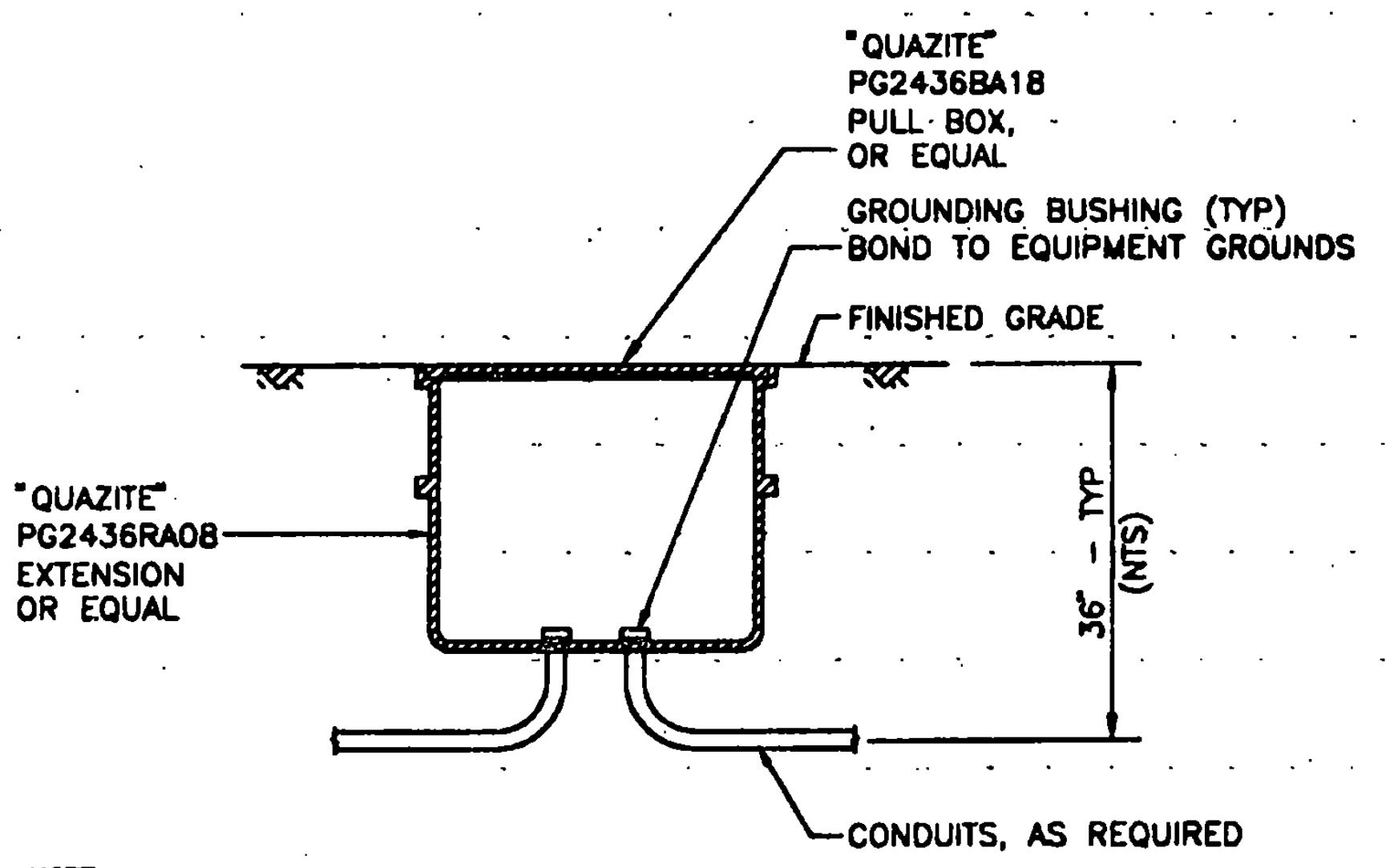


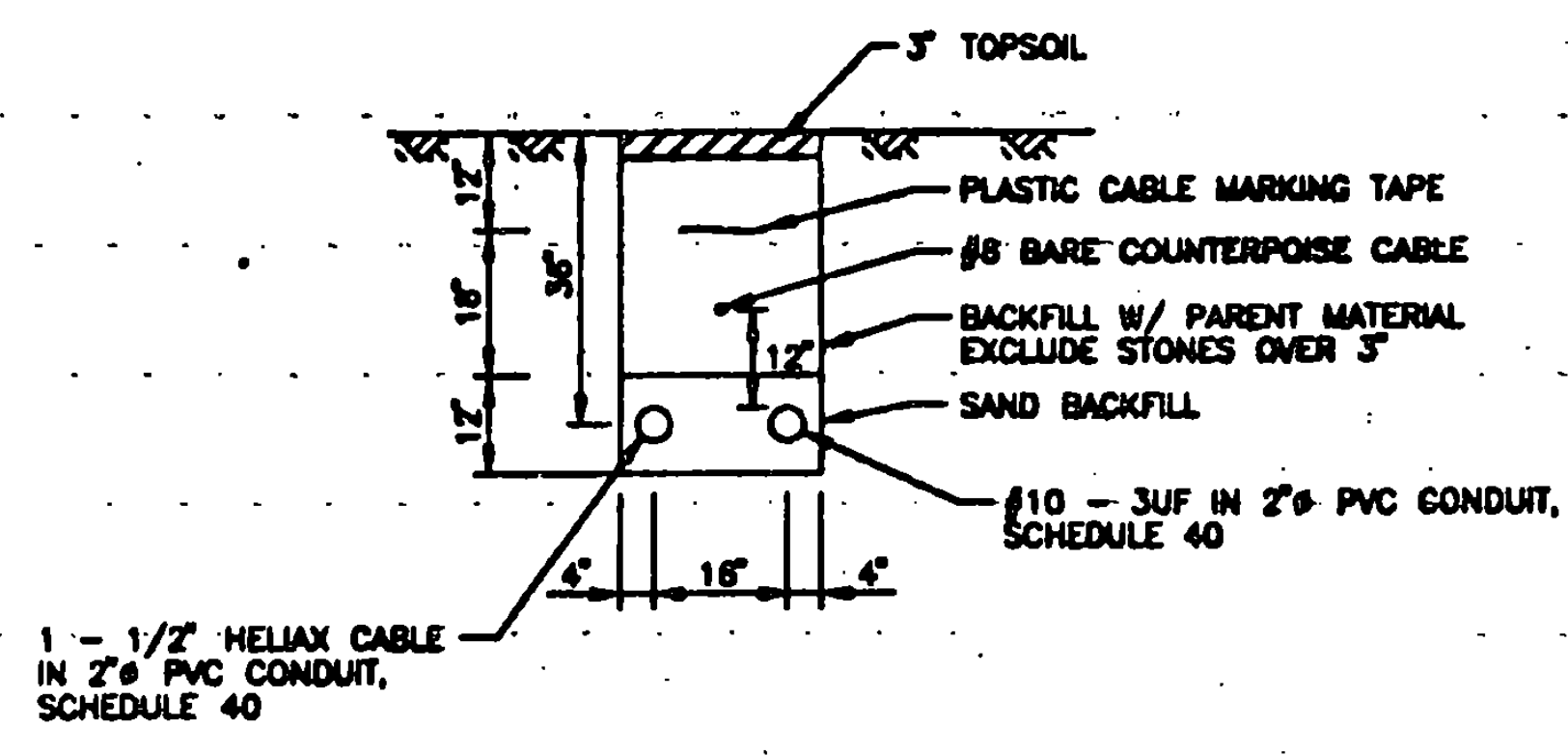
J TELEPHONE STUB-UP
SCALE: NONE

NOTE:
SEAL CONDUIT WITH APPROVED
DUCT SEAL AFTER PULL WIRES
ARE INSTALLED.



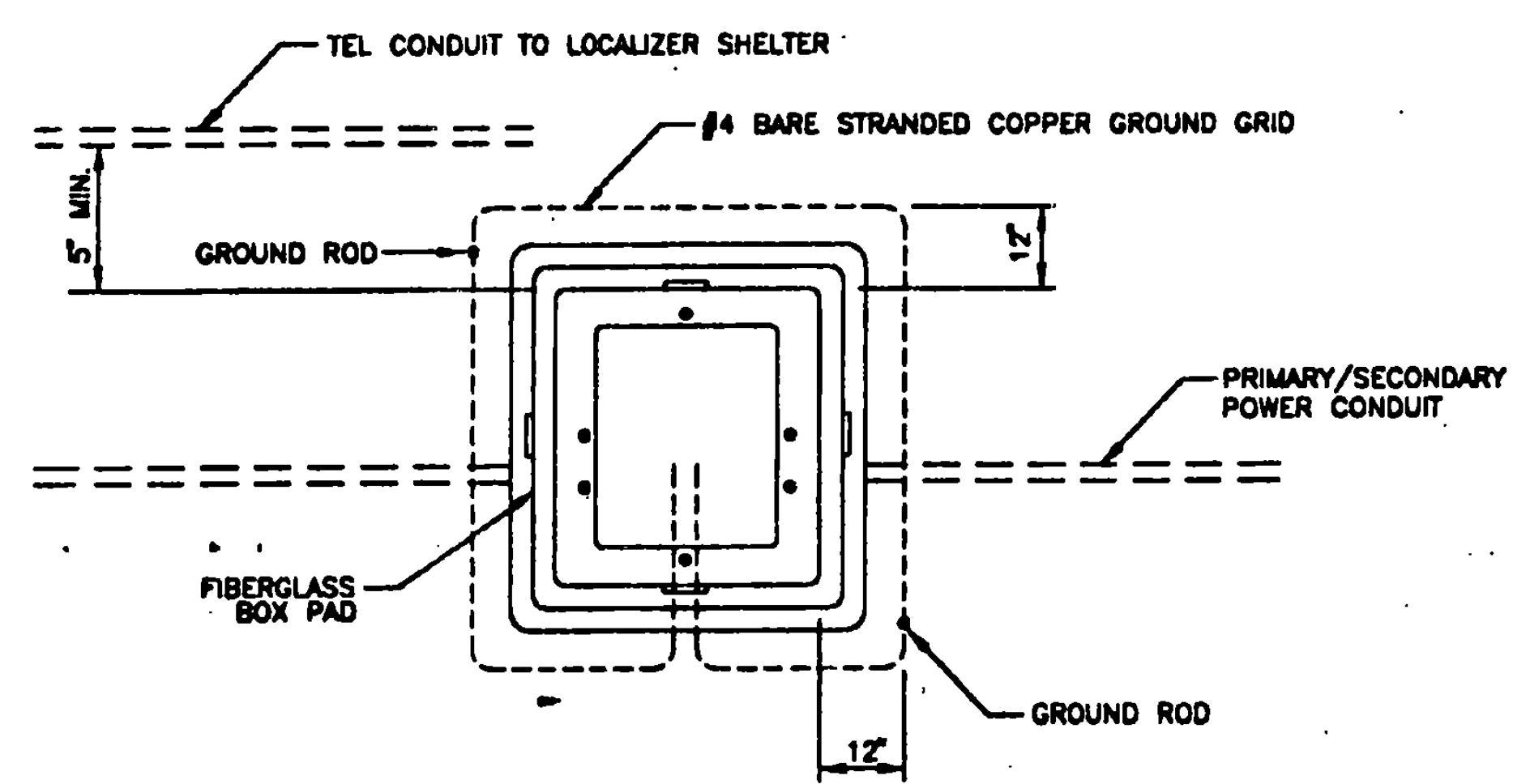
**O POWER & COMMUNICATION
HANDHOLE DETAIL**
SCALE: 1"=1'-0"

NOTE:
PROVIDE LOOPS IN HANDHOLES WHERE
NO SPLICES OCCUR. TERMINATE SPARE
COAXIAL CABLE IN HANDHOLE WITH 10
FEET OF EXTRA CABLE COILED AND TAPED.



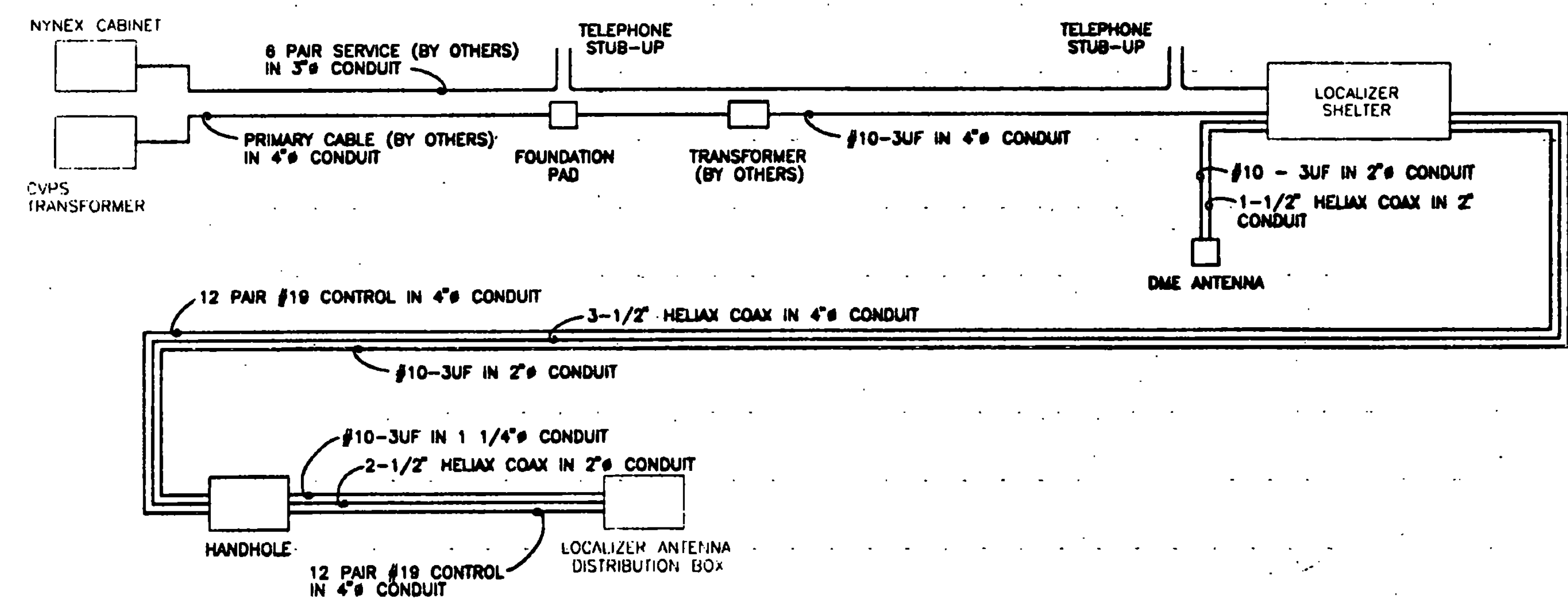
P CONDUIT TRENCH FROM DME TO SHELTER
SCALE: NONE

1 - 1/2" HELIAX CABLE
IN 2" PVC CONDUIT,
SCHEDULE 40



K PULL BOX DETAILS
SCALE: NONE

NOTE:
PULL BOX PROVIDED BY CVPS,
INSTALLED BY CONTRACTOR. ALL
GROUNDING WORK PROVIDED BY
CONTRACTOR. PROVIDED 5" MIN.
HORIZONTAL CLEARANCE BETWEEN
PULL BOX AND NEW TELEPHONE
CONDUIT ADJACENT TO PULL BOX.



Q WIRING DIAGRAM
SCALE: NONE



DESIGNED BY:	DATE:
DRAWN BY:	REV. DATE:
CHECKED BY:	Job No.:
APPROVED BY:	DESCRIPTION:

RUTLAND STATE AIRPORT
CLARENDON, VERMONT

LOCALIZER SITE DETAILS

URS Greiner, Inc.
3 MARCUS BOULEVARD
ALBANY, NEW YORK

Designed by:	Scale:
Drawn by:	NO. - NONE
Checked by:	REV. - NONE
Approved by:	Date: 04/08/97
Sheet 6 of 8	Sheet No.
	6