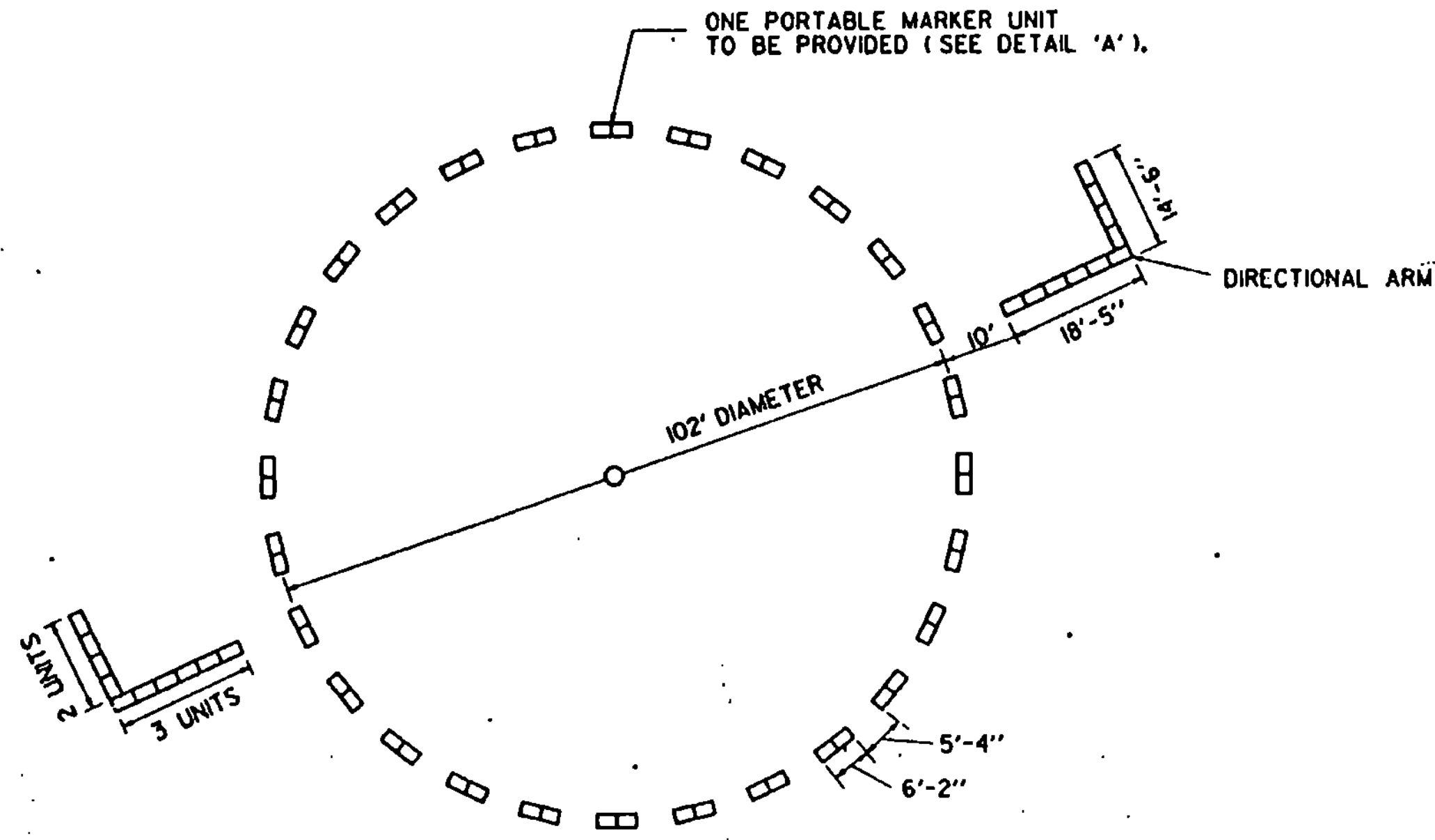
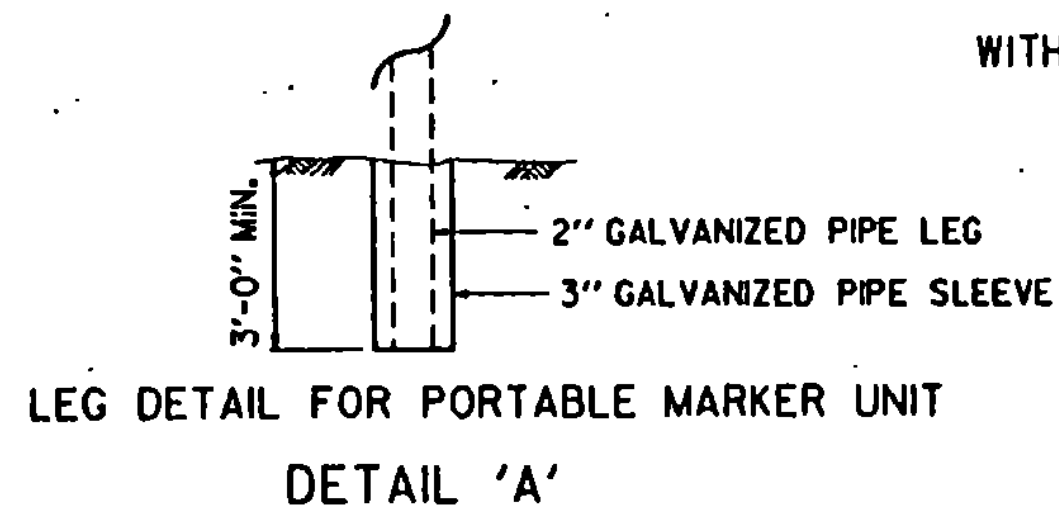


NOTES

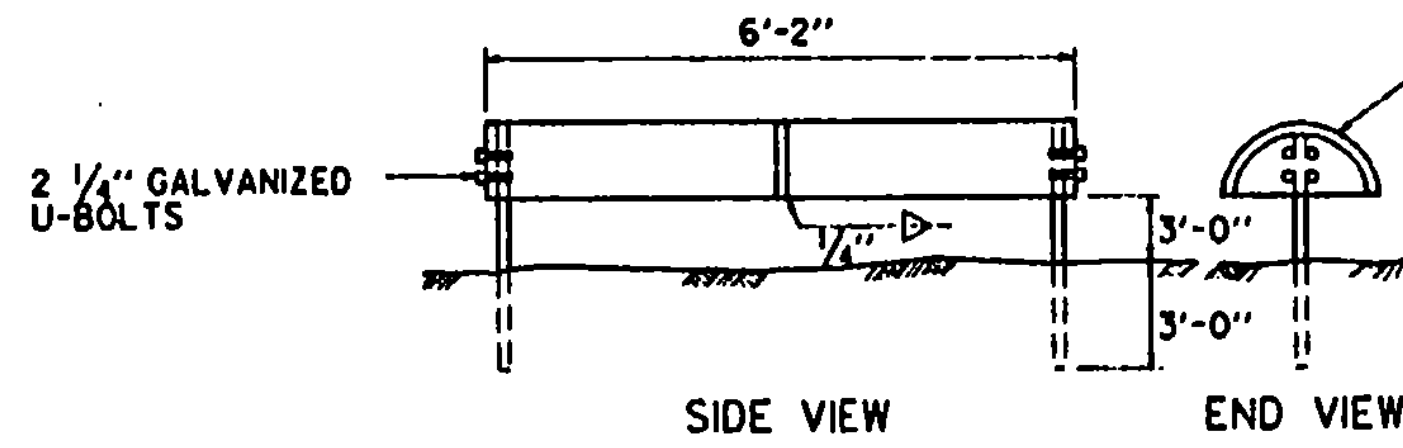
1. THE LOCATION OF THE PORTABLE MARKER UNIT SHALL BE AS ORDERED BY THE ENGINEER.
2. DIRECTIONAL ARMS ARE INSTALLED ONLY ON AIRPORTS WITH A NON-STANDARD TRAFFIC PATTERN (RIGHT-HAND PATTERN). WHEN INSTALLED, DIRECTIONAL ARMS WILL BE MAGNETICALLY ORIENTED TO THE RUNWAY AND WILL SHOW TRAFFIC PATTERN ON EACH RUNWAY.



SEGMENTED CIRCLE LAYOUT WITH DIRECTIONAL ARMS

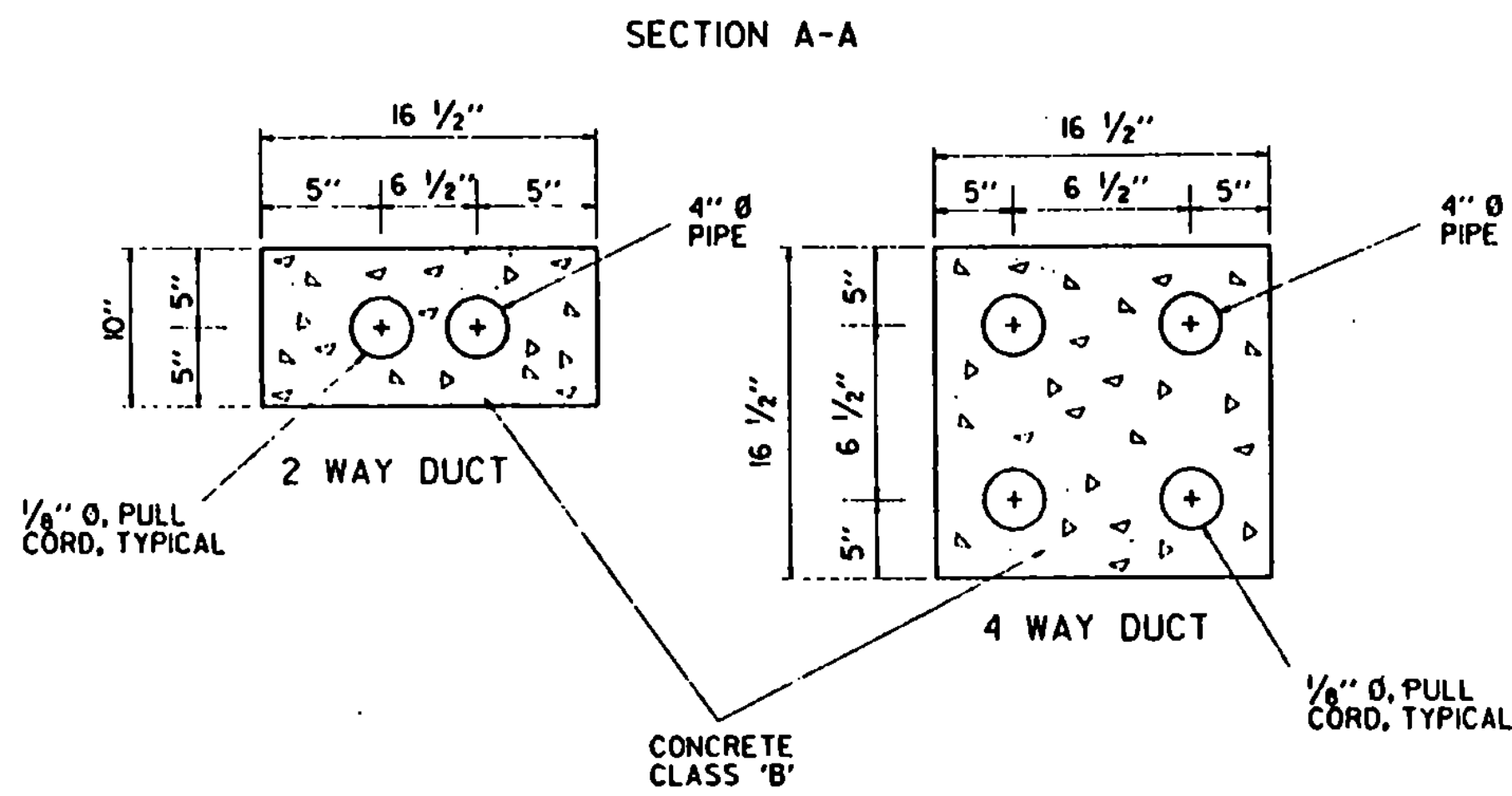


LEG DETAIL FOR PORTABLE MARKER UNIT
DETAIL 'A'



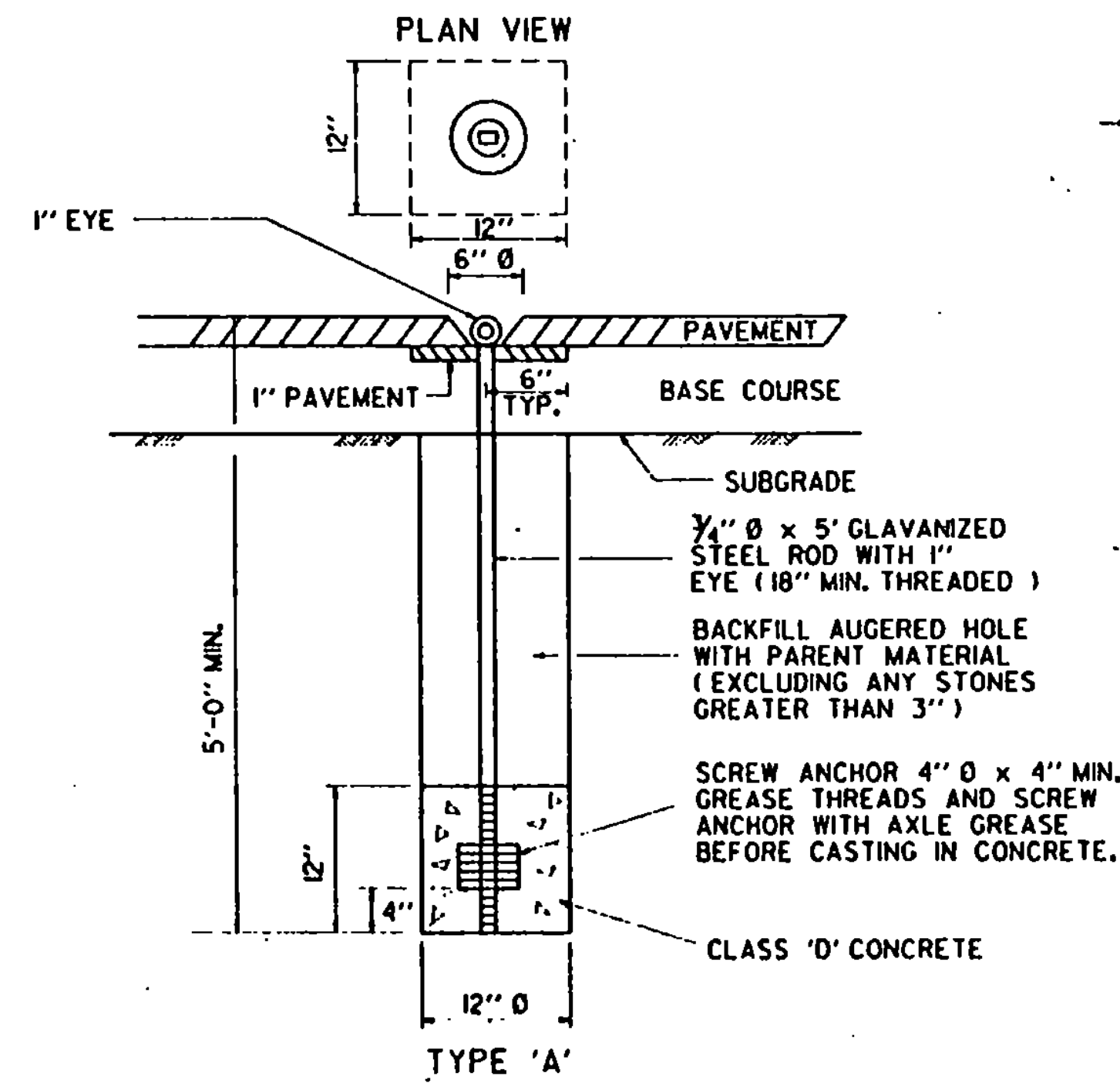
SEGMENTED CIRCLE MARKER UNIT

MARKER UNIT - STANDARD 55 GALLON METAL DRUM, CUT IN HALF AND WELDED END TO END. MARKER UNITS TO BE PAINTED AVIATION ORANGE.
PORTABLE UNIT HAS LEGS OF 2" Ø GALVANIZED PIPE. STATIONARY UNITS HAVE LEGS OF 2" Ø GALVANIZED PIPE OR 1 1/2" x 3/8" L (GALV.).

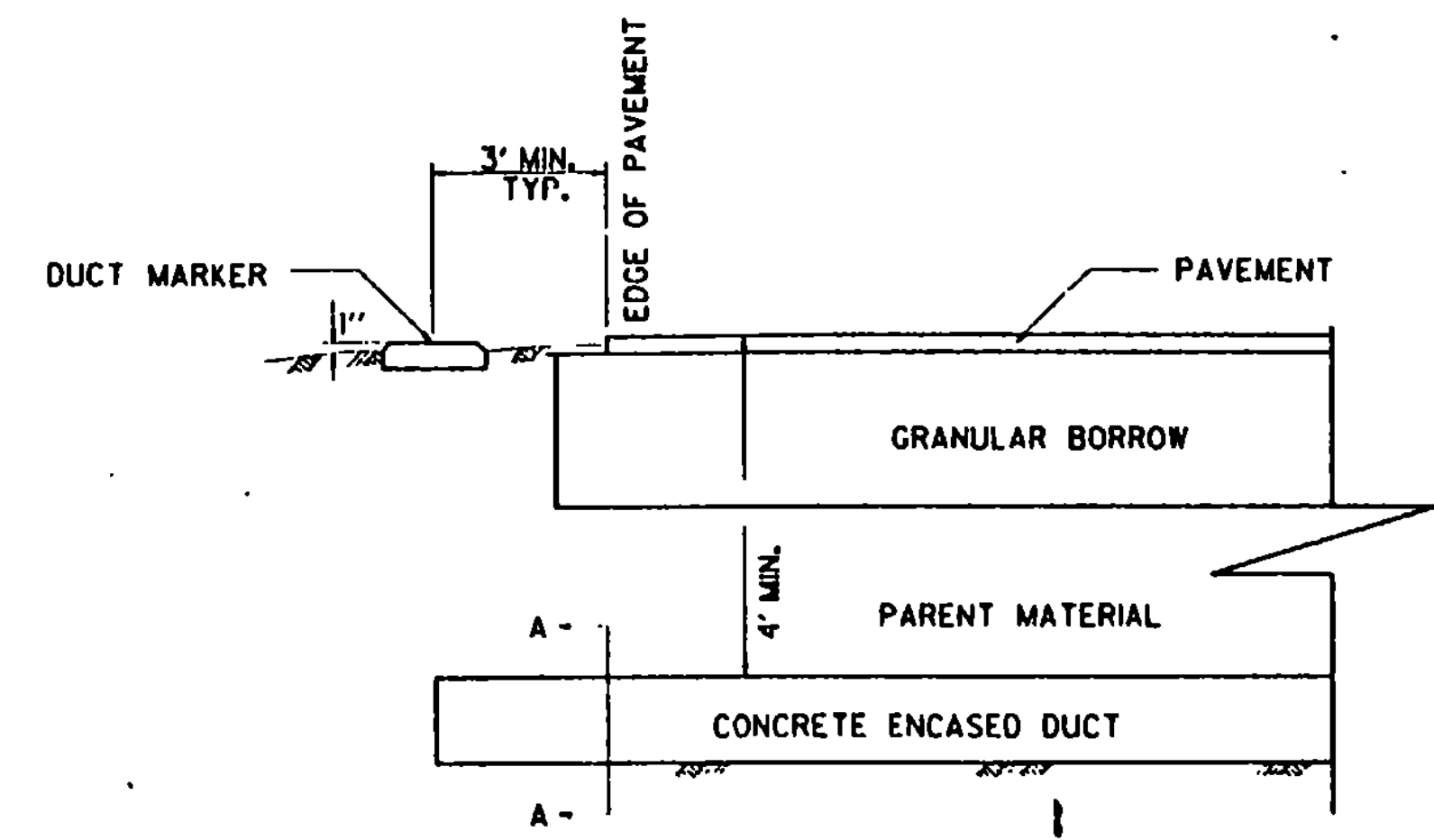


ALL DUCTS, EXCEPT STEEL CONDUIT, INSTALLED UNDER RUNWAYS, TAXIWAYS, APRONS, AND OTHER PAVED AREAS SHALL BE ENCASED IN A CONCRETE ENVELOPE

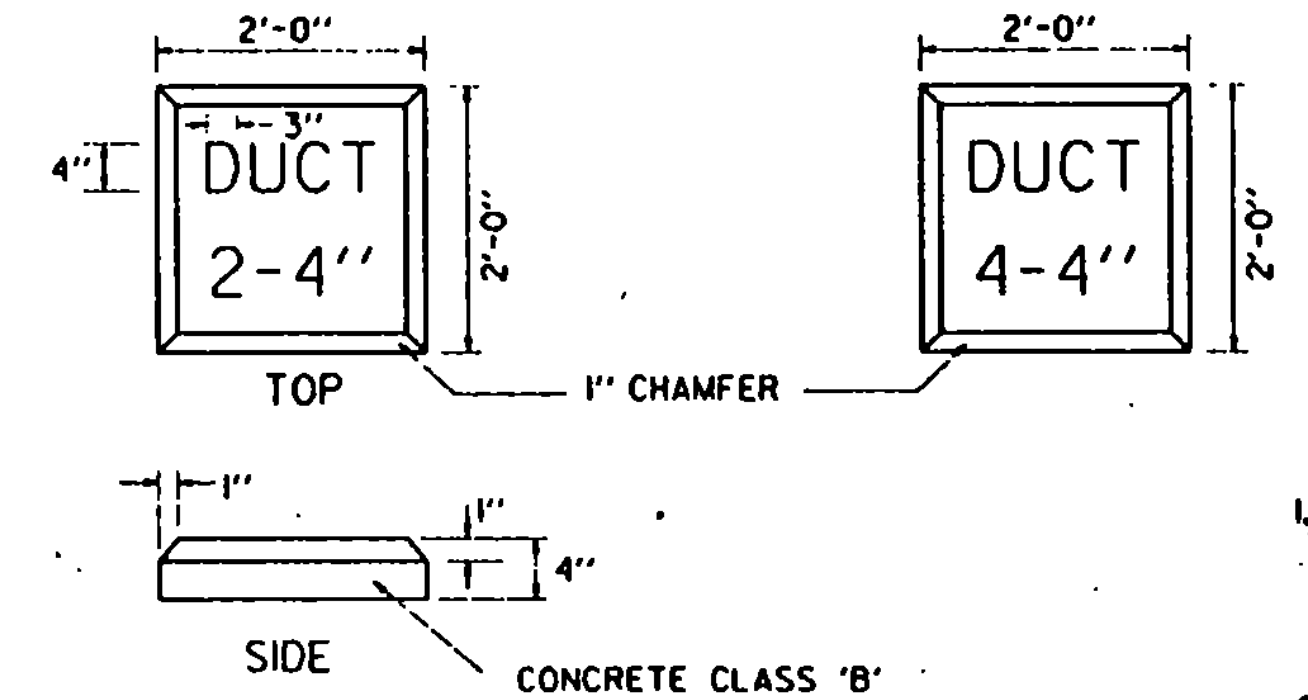
SEE STANDARD AP-2 FOR DIRECT BURIAL CABLE DETAILS.



AIRCRAFT TIE DOWN ANCHOR

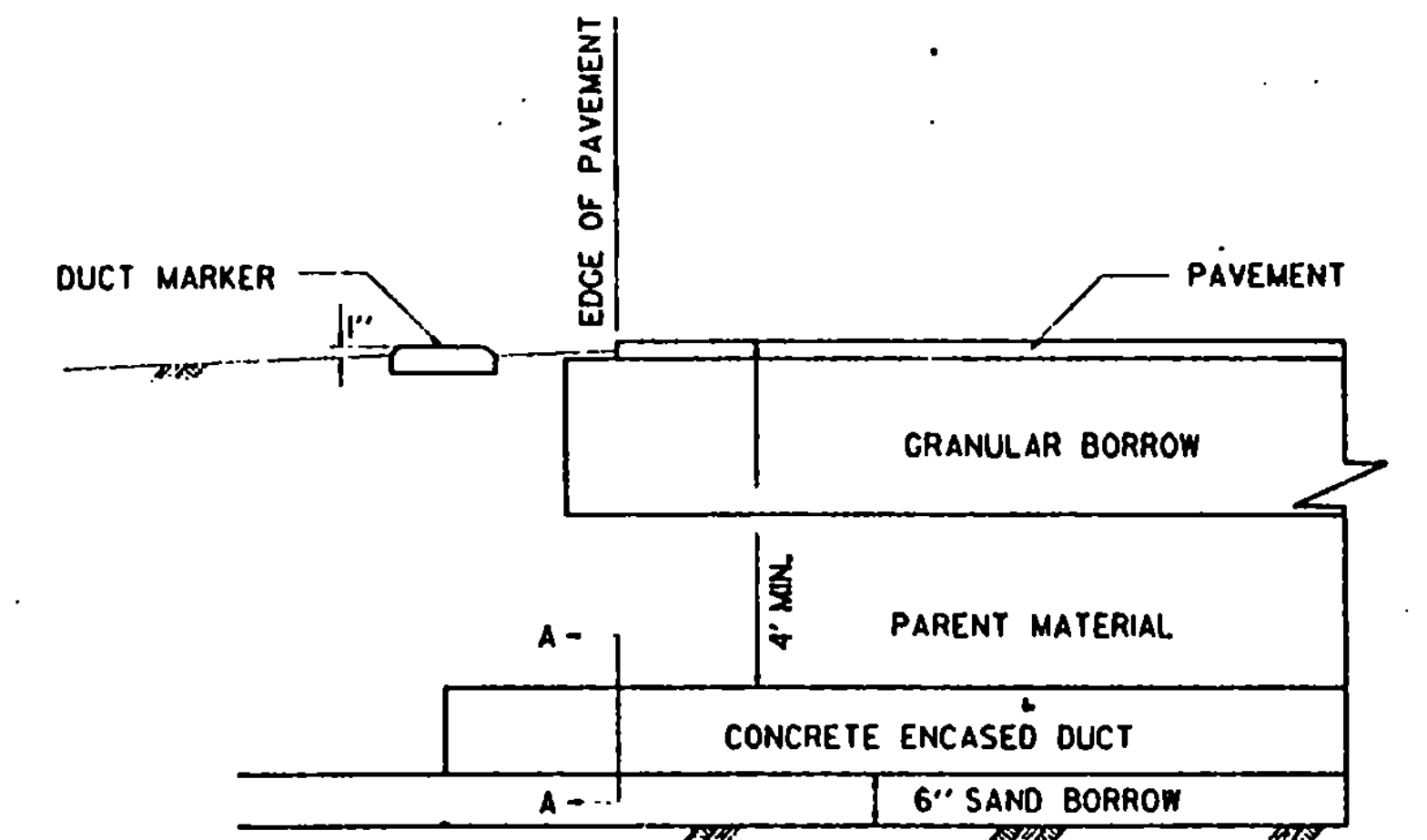


AIRPORT UNDERGROUND ELECTRICAL DUCT (IN EARTH)



DUCT MARKERS

- NOTES**
1. LETTERING ON DUCT MARKERS TO BE EMBOSSED, 'V' CUT, 1/2" DEEP.
 2. HAND LETTERING NOT ALLOWED



AIRPORT UNDERGROUND ELECTRICAL DUCT (IN ROCK)

REVISIONS AND CORRECTIONS
SHEET UPDATED MARCH 5, 1990

APPROVED

March 18, 1990
DATE
London B. O'Brien
DIRECTOR, PLANNING AND RECONSTRUCTION
Kevin M. Mung
DIRECTOR, DESIGN DIVISION

MISCELLANEOUS AIRPORT DETAILS



STANDARD
AP-3