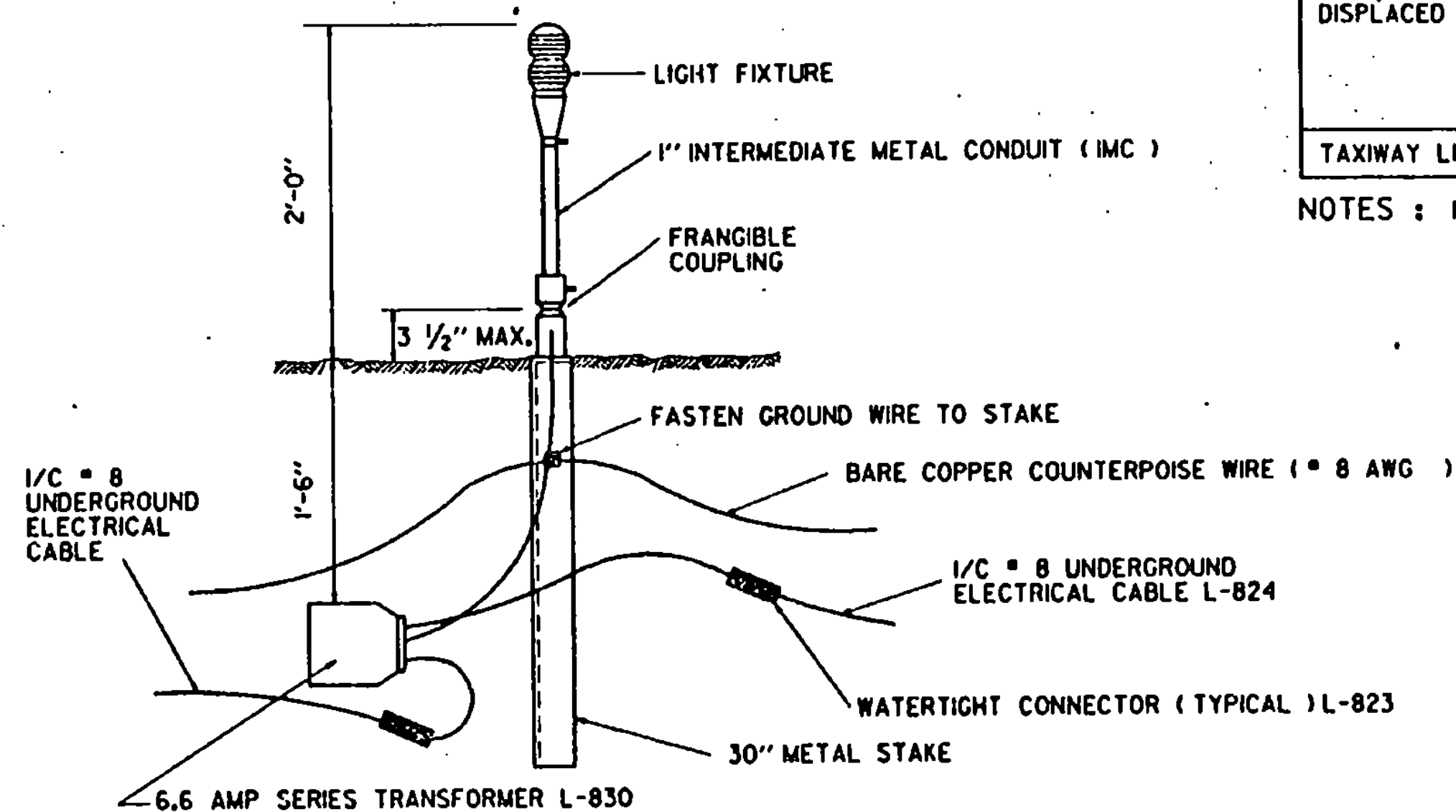


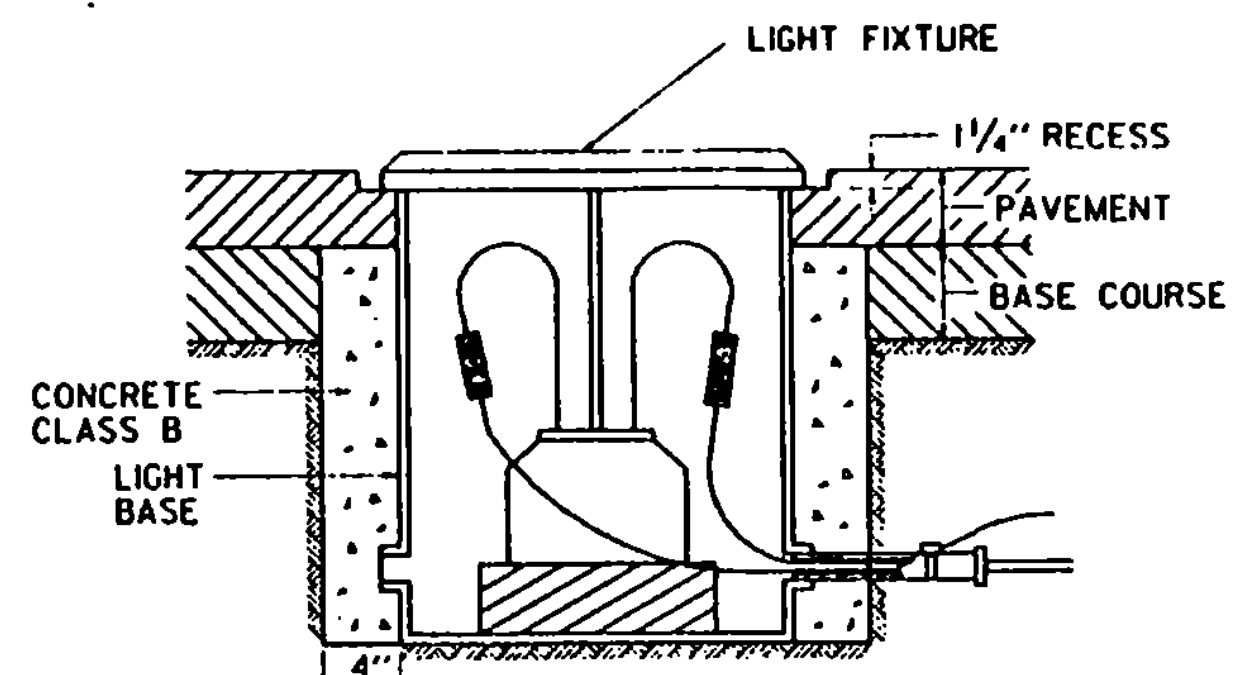
- NOTES :
1. PROVIDE 3 FEET OF SLACK IN CABLES AT TRANSFORMER.
 2. SEAL END OF CONDUIT (DUCT SEAL)
 3. PROVIDE 1/2" PER FT. PITCH ON ALL CONDUITS

BASE MOUNTED UNIT
ELEVATED LIGHT
NO SCALE



- NOTES :
1. PROVIDE 3 FEET OF SLACK IN CABLES AT TRANSFORMER.
 2. 30" METAL STAKE SHALL BE MADE OF GALVANIZED STEEL ANGLE 2" x 2" x 1/8" WITH A SUITABLE TAPPED FITTING BOLTED AT THE TOP TO RECEIVE THE FRANGIBLE COUPLING.

STAKE MOUNTED UNIT
ELEVATED LIGHT
NO SCALE



NOTE : FOR ALL OTHER DETAILS, SEE BASE MOUNTED UNIT FOR ELEVATED LIGHT.

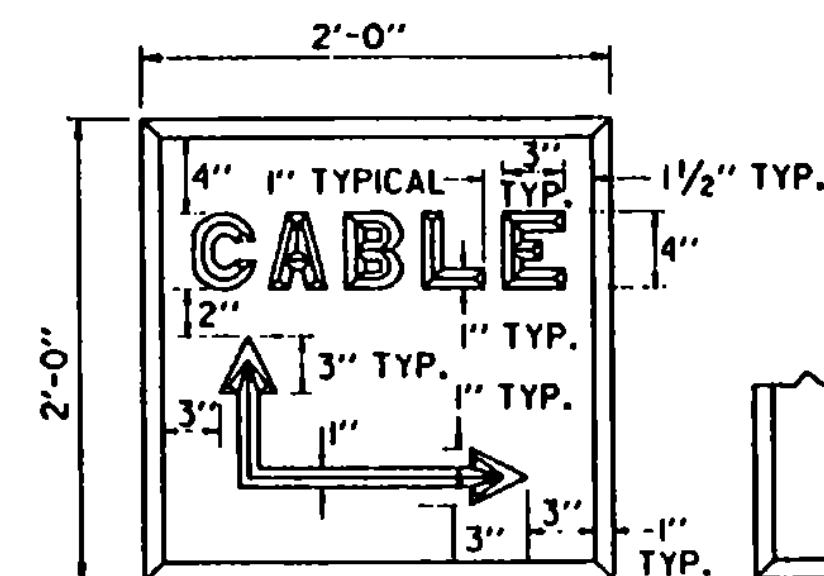
BASE MOUNTED UNIT
SEMI-FLUSH LIGHT
NO SCALE

LIGHT LOCATION	LAMP		LENS
	MEDIUM INTENSITY	HIGH INTENSITY	
RUNWAY EDGE LIGHT	6.6A, 30W	6.6A, 15-20W	360° CLEAR/180° YELLOW
RUNWAY THRESHOLD LIGHT	6.6A, 45W	6.6A, 15-20W	180° RED/180° GREEN
		6.6A, 15-20W	360° RED
DISPLACED THRESHOLD LIGHT	6.6A, 30/45W		180° RED/180° CLEAR
			180° OBSCURED/180° GREEN
			180° CLEAR/180° GREEN
TAXIWAY LIGHT	6.6A, 30W		360° BLUE

NOTES : 1. SEE PLAN SHEET FOR LENS/LIGHT TYPE.

NOTE : AIRPORT LIGHT BASES SHOULD BE CONSTRUCTED TO FAA SPECIFICATIONS. SEE CURRENT ADVISORY CIRCULAR.

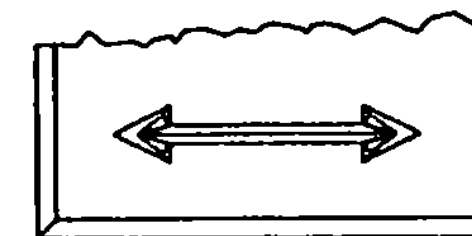
NOTES
HAND LETTERING NOT ALLOWED ON CABLE OR SPLICE MARKERS. LETTERING WILL BE EMBOSSED (V-CUT) 1/2" DEEP.



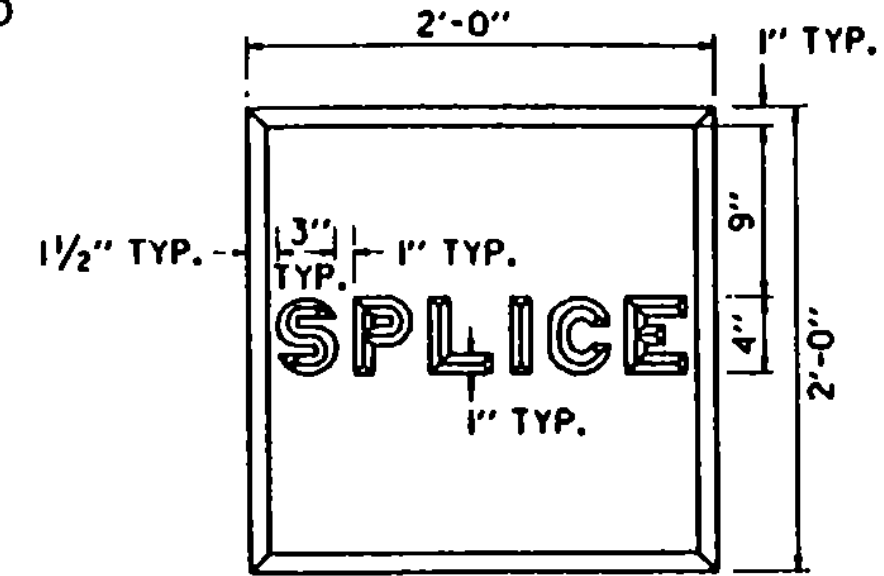
PLAN VIEW WITH ARROW INDICATING CHANGE IN DIRECTION OF CABLE.

CABLE MARKER

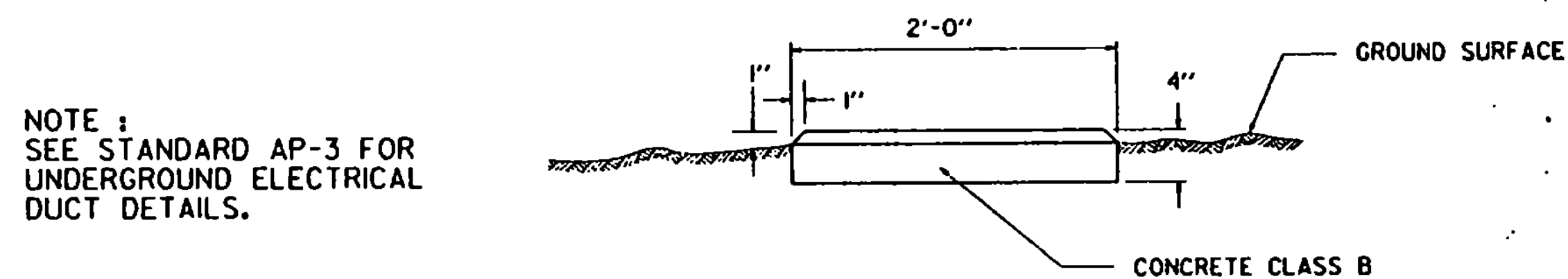
ARROW ON CABLE MARKERS WILL INDICATE DIRECTION OF CABLE, AS SHOWN ON PLAN VIEWS BELOW.



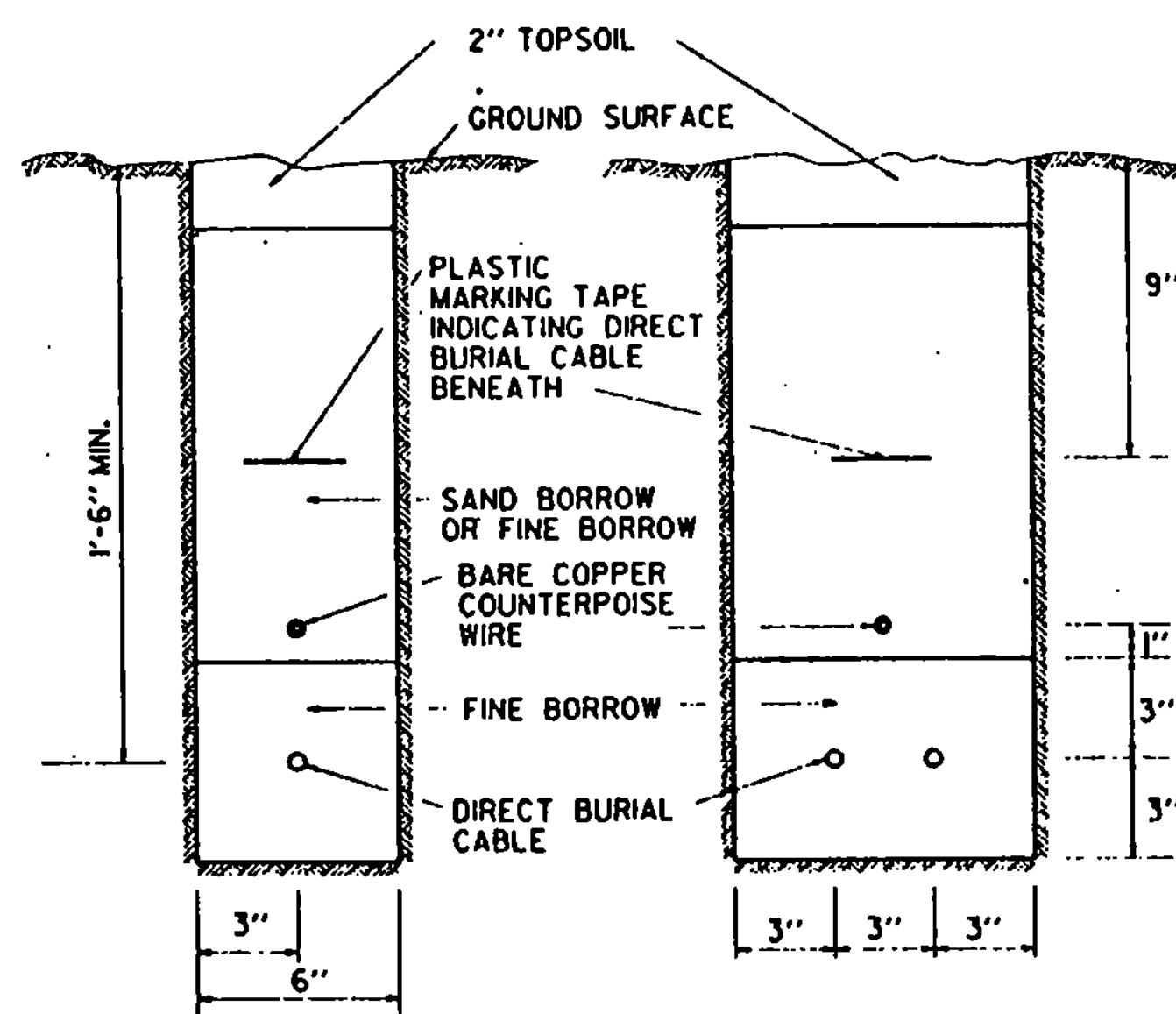
PARTIAL PLAN VIEW WITH ARROW INDICATING STRAIGHT-LINE CABLE INSTALLATION.



PLAN VIEW
SPLICE MARKER



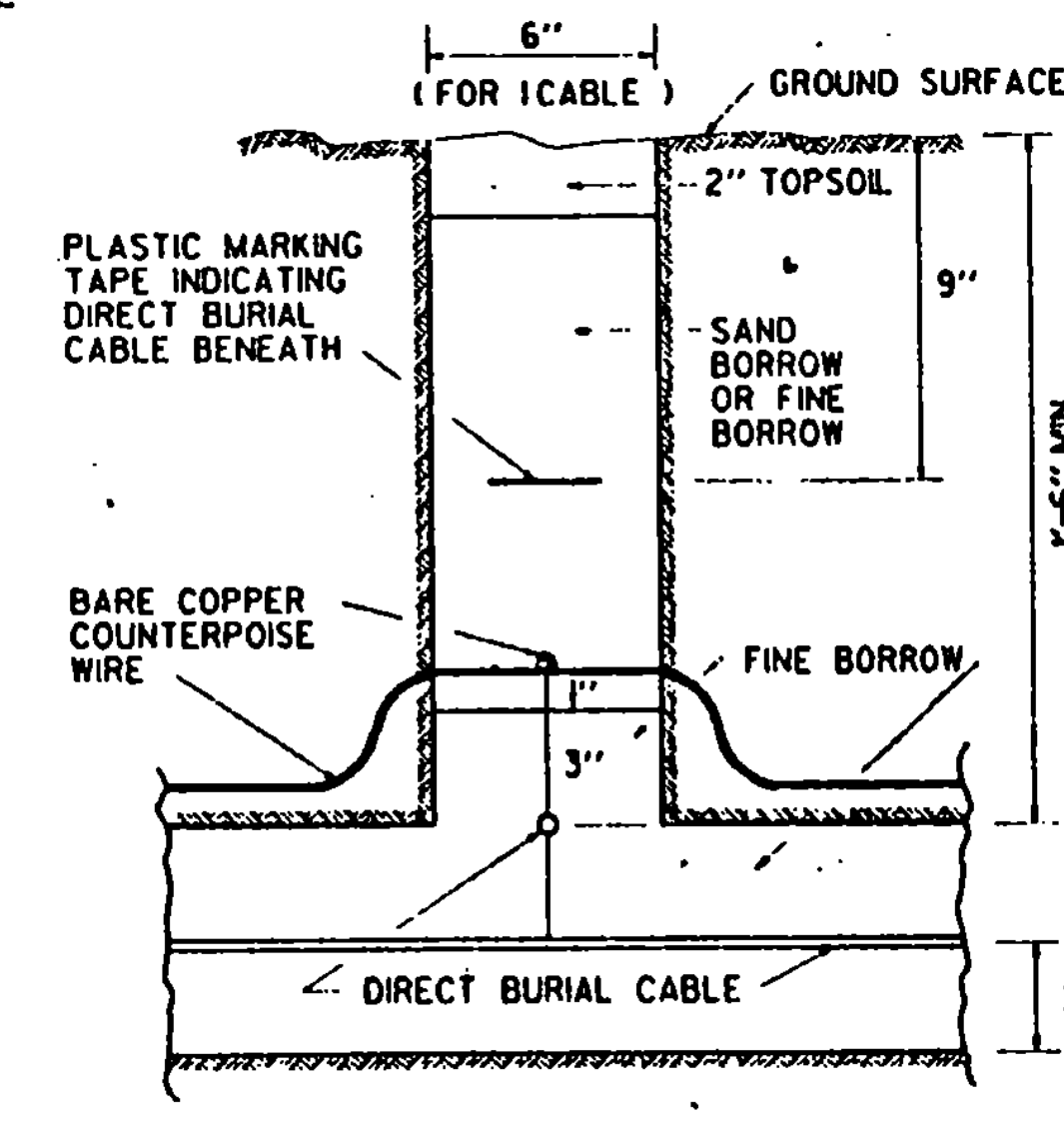
ELEVATION VIEW (TYPICAL FOR CABLE AND SPLICE MARKERS)
CABLE AND SPLICE MARKERS
NO SCALE



SINGLE CABLE INSTALLATION

TWO CABLE INSTALLATION

NOTE : FOR MULTIPLE-CABLE INSTALLATIONS, PROVIDE 3" ADDITIONAL TRENCH WIDTH FOR EACH ADDITIONAL CABLE.



CABLE TRENCH WITH CABLE CROSSING

NOTE : UNDERGROUND ELECTRICAL CABLE SHOULD BE CONSTRUCTED TO FAA SPECIFICATION. SEE CURRENT ADVISORY CIRCULAR.

UNDERGROUND ELECTRICAL CABLE INSTALLATION
TRENCH DETAILS
(IN EARTH OR ROCK)
NO SCALE

REVISIONS AND CORRECTIONS
SHEET UPDATED MARCH 1, 1990

APPROVED

March 13, 1990
DATE

Steven B. Theobald
DIRECTOR, PLANNING AND
PRECONSTRUCTION
Richard Mungler
DIRECTOR, DESIGN DIVISION

LIGHTING & ELECTRICAL DETAILS



STANDARD
AP-2