

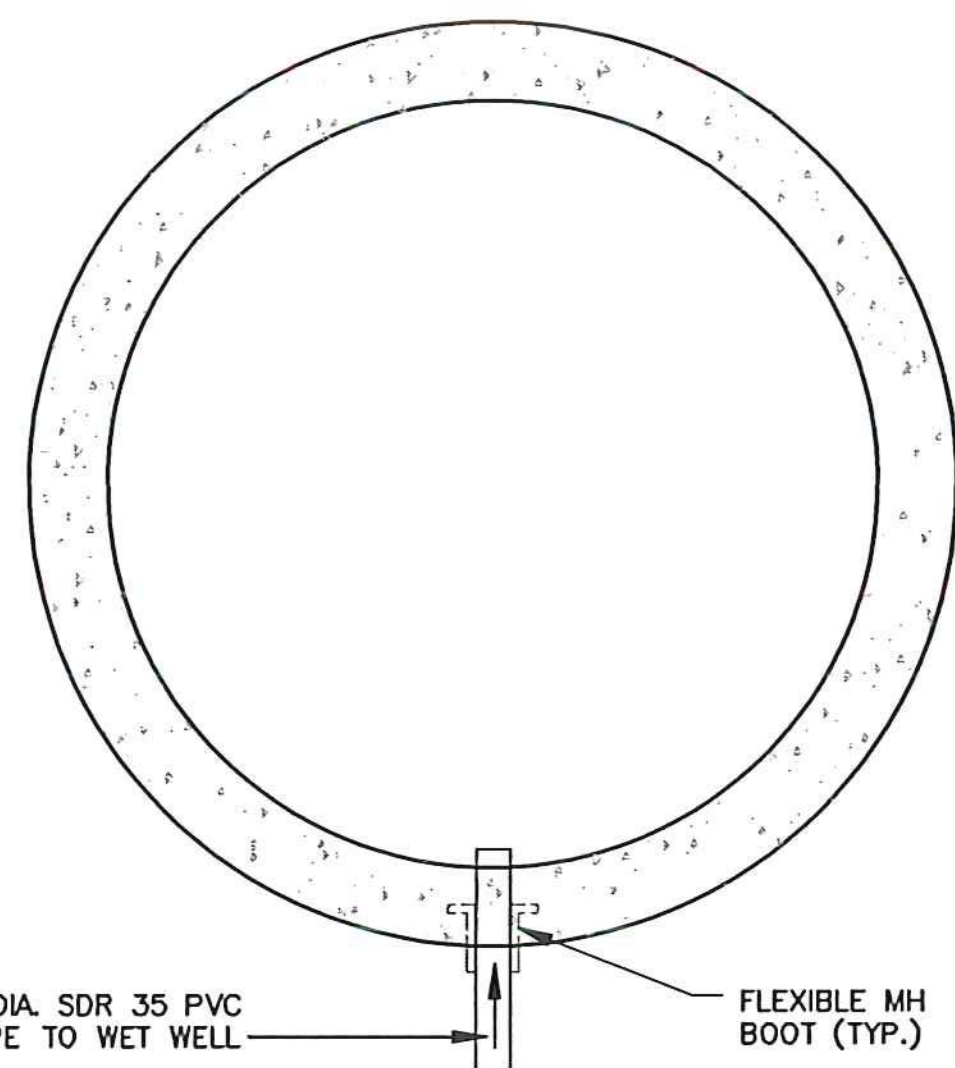
- NOTE:**
- STRUCTURE TABLE ON SHEETS P1-05 AND P2-05 AND TABLE IN THIS DETAIL SHOW FINISH GRADE AND INVERT ELEVATIONS FOR EACH INSTALLATION.
 - REFER TO TABLE IN THIS TABLE FOR FLOOR INVERT ELEVATIONS.
 - REFER TO PUMP STATION DETAILS FOR WET WELL INVERT OUT ELEVATIONS AND PIPE CONNECTION TO THE WET WELL.
 PUMP STATION 105 - SHEET SD-01
 PUMP STATION 135 - SHEET SD-02
 PUMP STATION 203 - SHEET SD-03
 PUMP STATION 205 - SHEET SD-04

TYPICAL EMERGENCY STORAGE (S105A/S137/S203A/S208) - SECTION

NOT TO SCALE

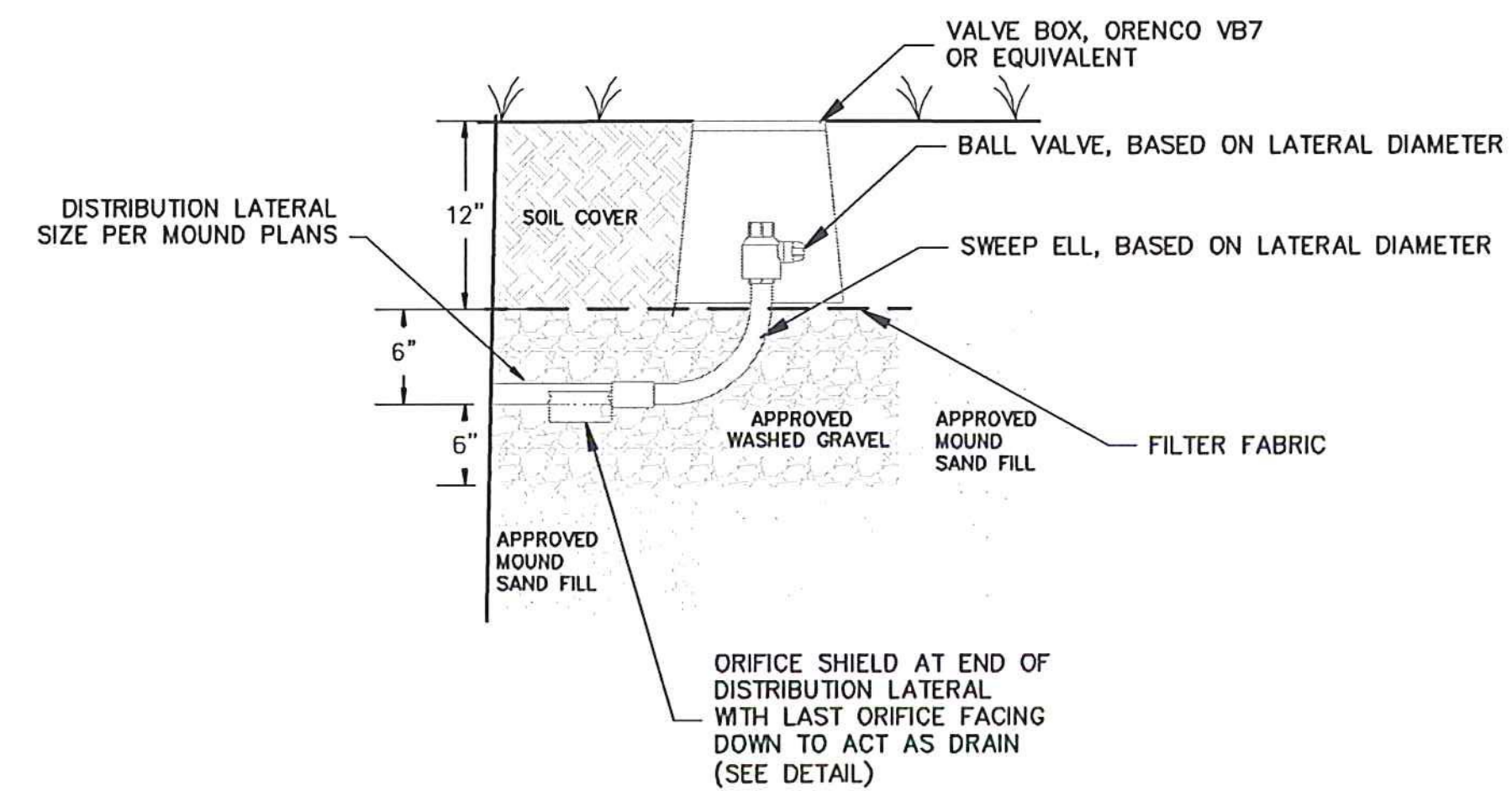
S203A & S208 WERE ONLY CONSTRUCTED AS PART OF THIS CONTRACT

EMERG. STORAGE STRUCTURE ID.	CONNECTED TO WET WELL	RIM ELEV. (FEET)	PIPE INV. IN ELEV. (FEET)	FLOOR INV. ELEV. (FEET)	STORAGE VOLUME (GALS)
S105A	S105	907.8±	899.95	895.5	1692
S137	S135	1000±	994.17	986.47	2895
S203A	S203	916.2±	906.64	899.1	2835
S208	S205	930.75±	927.6	920.1	2820



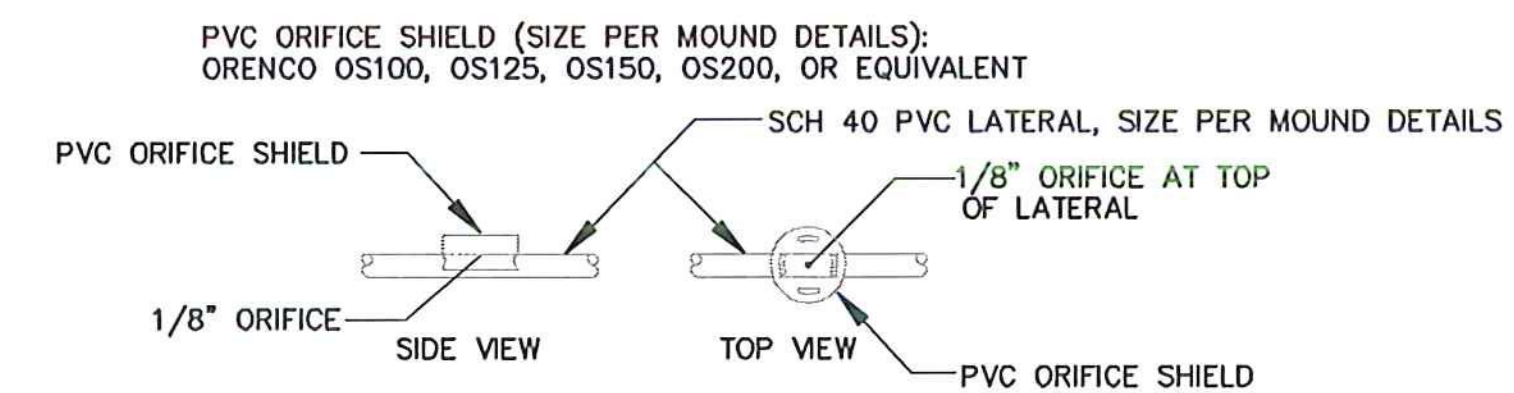
TYPICAL EMERGENCY STORAGE (S105A/S137/S203A/S208) - PLAN VIEW

NOT TO SCALE



DISTRIBUTION LATERAL FLUSHING VALVE DETAIL

NOT TO SCALE



STANDARD ORIFICE SHIELD DETAIL

NOT TO SCALE

SCHEDULE B - WASTEWATER SYSTEM - BID SET
 VTRANS PROJECT #AV1157046-301
 JUNE 2016

REV	DATE	DESCRIPTION	BY
5	5/3/15	COLD WEATHER MODIFICATIONS	BMB
4	4/29/15	PERMITTING MODIFICATIONS	SKI
3	1/30/15	WW SYSTEM MODIFICATIONS	BMB
2	8/5/14	ANR COMMENTS	TCB
1	4/18/14	ADD 400-SERIES TEST PITS	CH

IT IS A VIOLATION OF LAW FOR ANY PERSON, UNLESS THEY ARE ACTING UNDER THE DIRECT DIRECTION OF A LICENSED PROFESSIONAL ENGINEER, ARCHITECT, LANDSCAPE ARCHITECT, OR LAND SURVEYOR, TO ALTER AN ITEM IN ANY WAY. IF AN ITEM BEARING THE STAMP OF A LICENSED PROFESSIONAL IS ALTERED, THE ALTERING ENGINEER, ARCHITECT, LANDSCAPE ARCHITECT, OR LAND SURVEYOR SHALL STAMP THE DOCUMENT AND INCLUDE THE NOTATION "ALTERED BY" FOLLOWED BY THEIR SIGNATURE, THE DATE OF SUCH ALTERATION, AND A SPECIFIC DESCRIPTION OF THE ALTERATION.

NEWPORT STATE AIRPORT
 COVENTRY, VERMONT
 NEWPORT WASTEWATER

SANITARY SEWER DETAILS

SCALE: 1" = 20'	DESIGN: TCB	SD-05 35 of 36
DRAWN: MTF	PROJECT: 17958.01	
CHECKED: BLS	DATE: JUNE, 2014	



McFarland Johnson
 53 REGIONAL DRIVE
 CONCORD, NH 03301