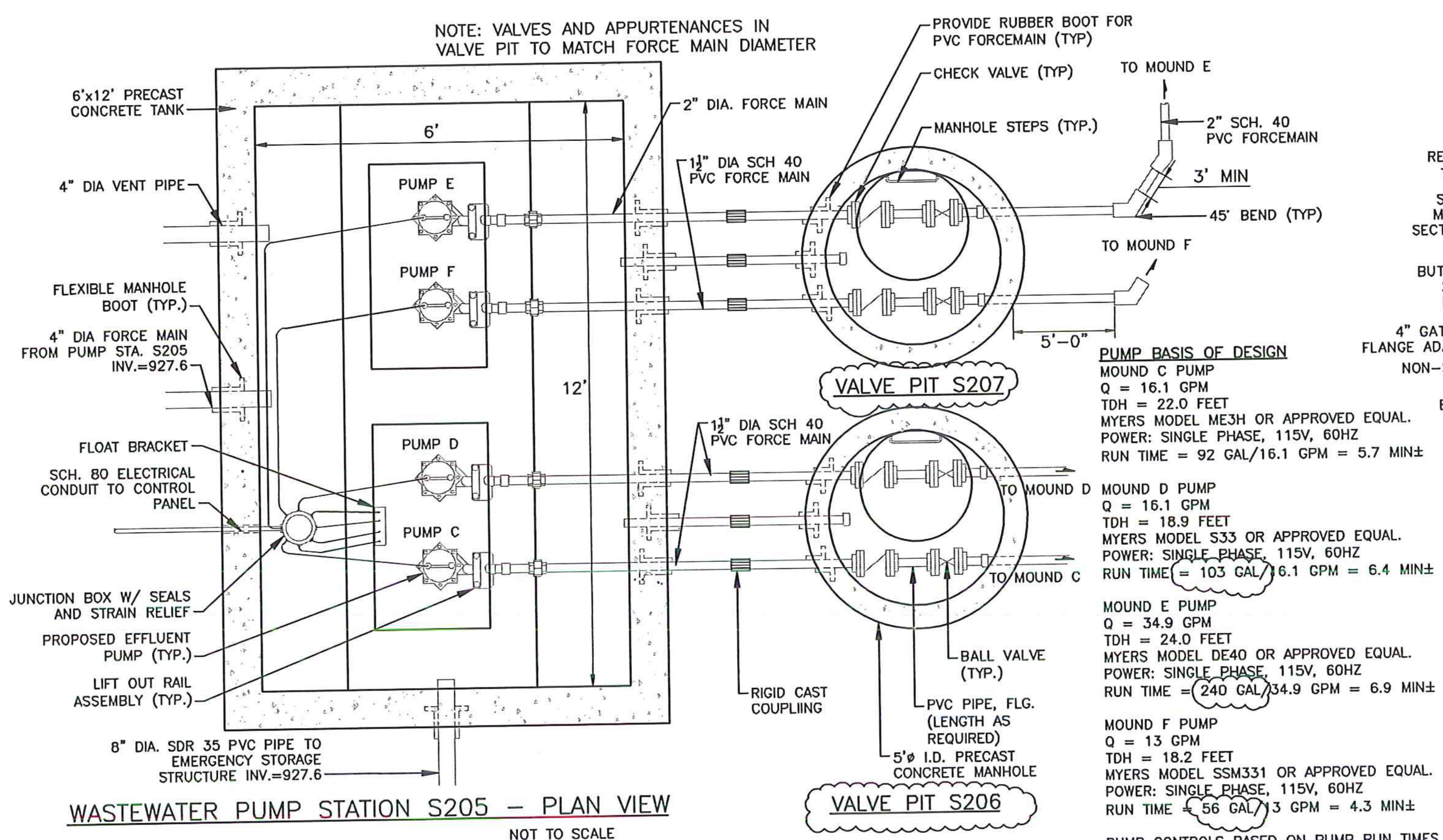
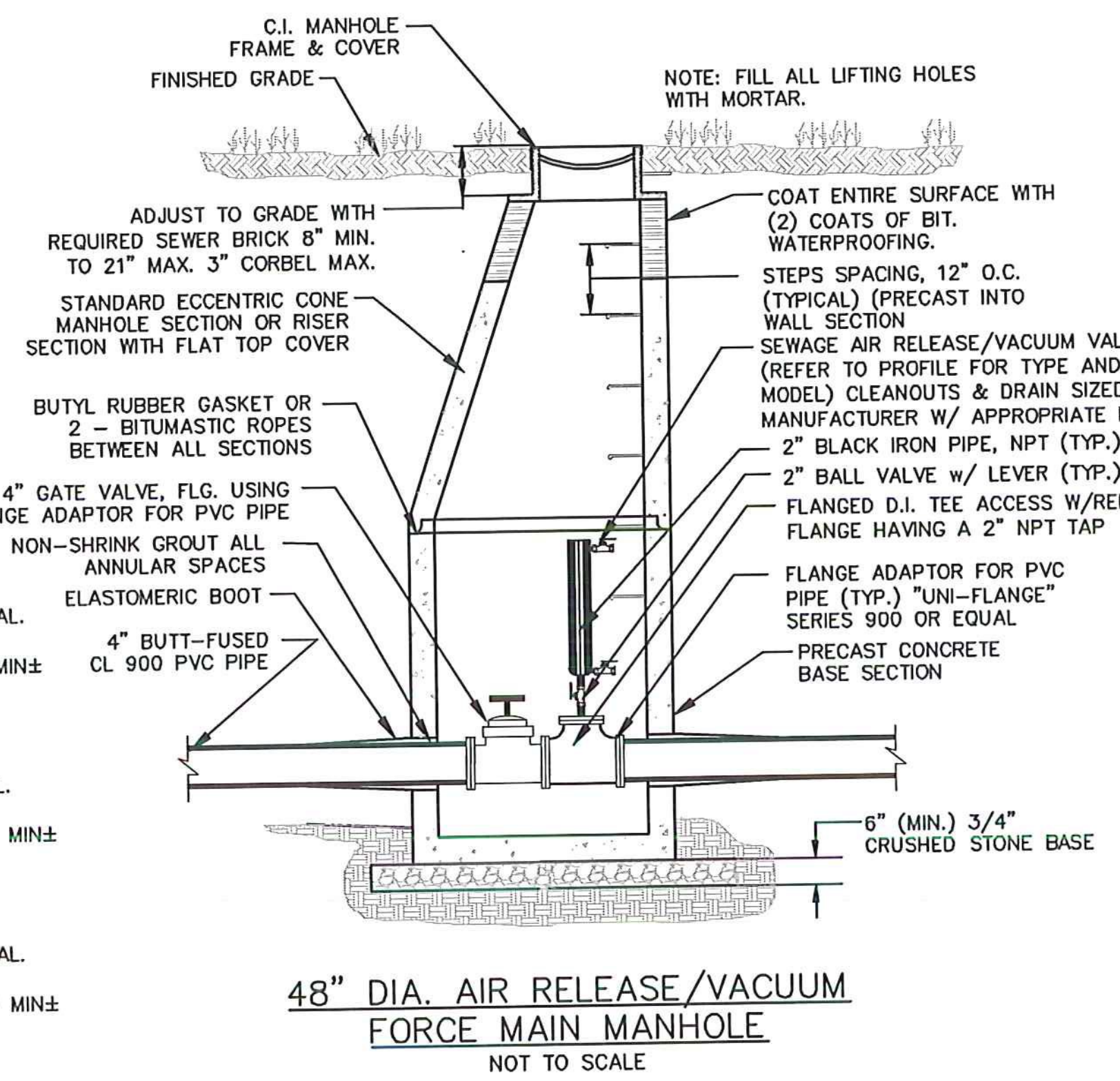


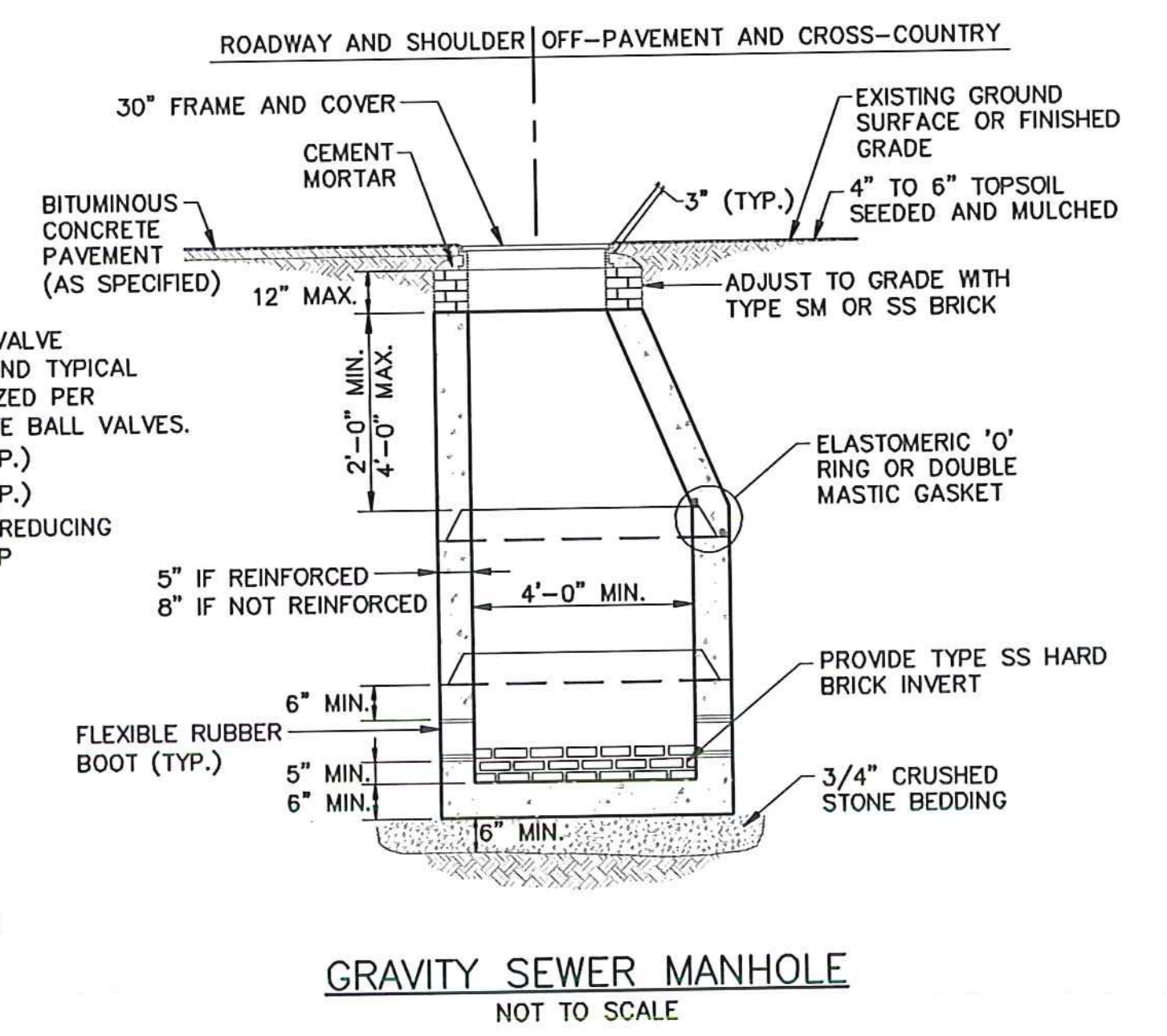
SEE RFI #4 FOR BALANCE CALCS.



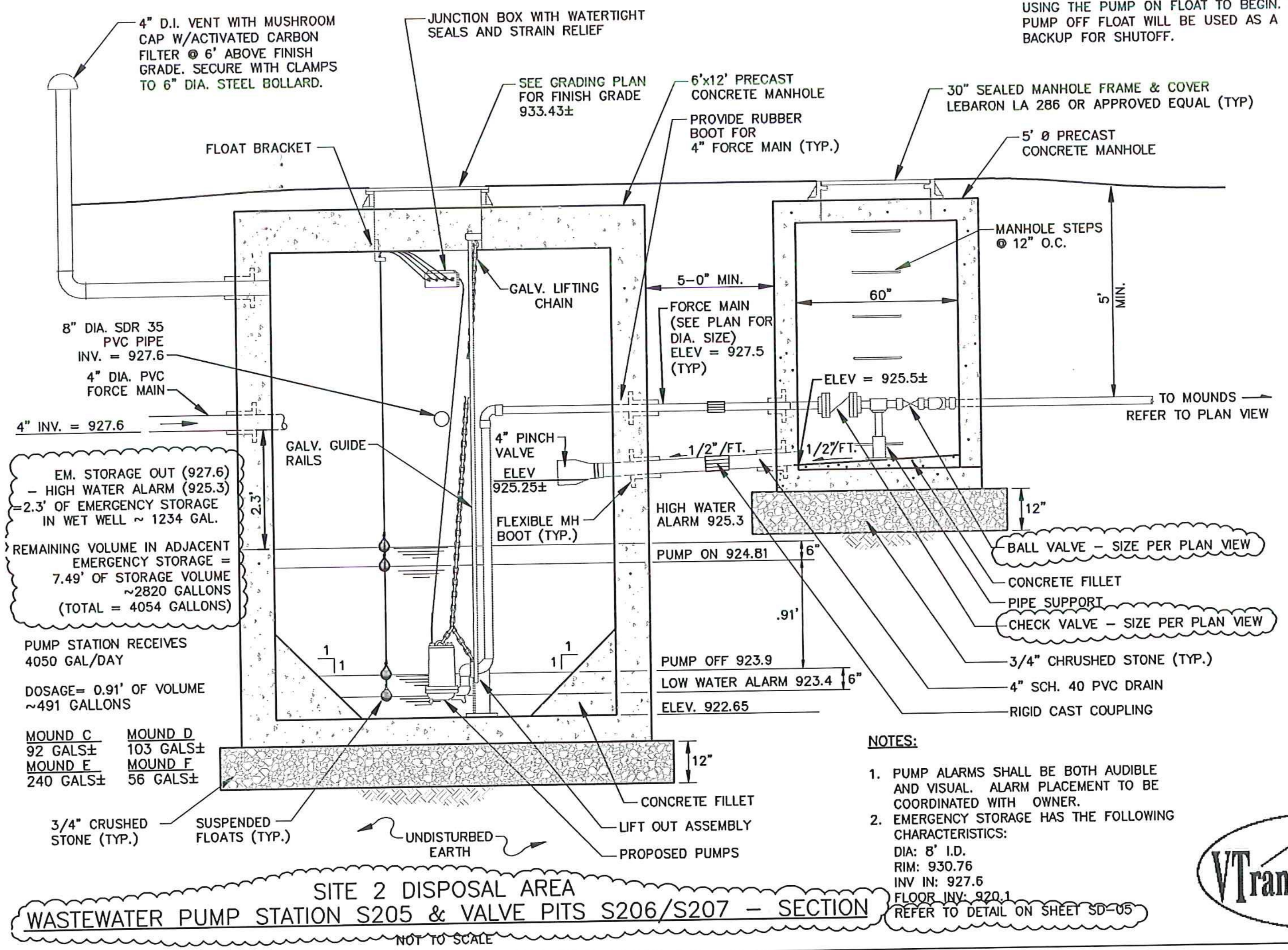
WASTEWATER PUMP STATION S205 - PLAN VIEW
NOT TO SCALE



48" DIA. AIR RELEASE/VACUUM FORCE MAIN MANHOLE
NOT TO SCALE

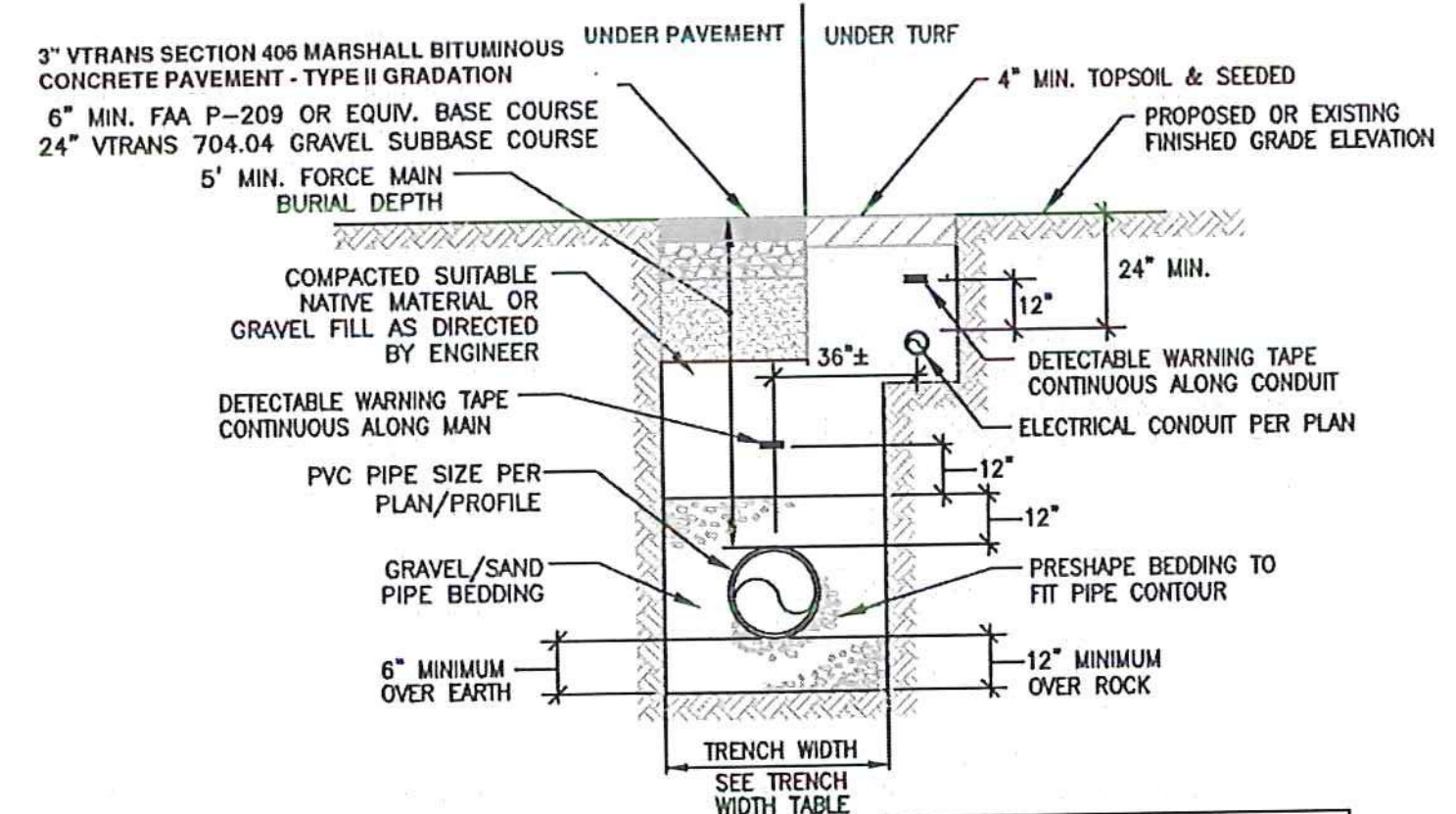


GRAVITY SEWER MANHOLE
NOT TO SCALE



WASTEWATER PUMP STATION S205 & VALVE PITS S206/S207 - SECTION
NOT TO SCALE

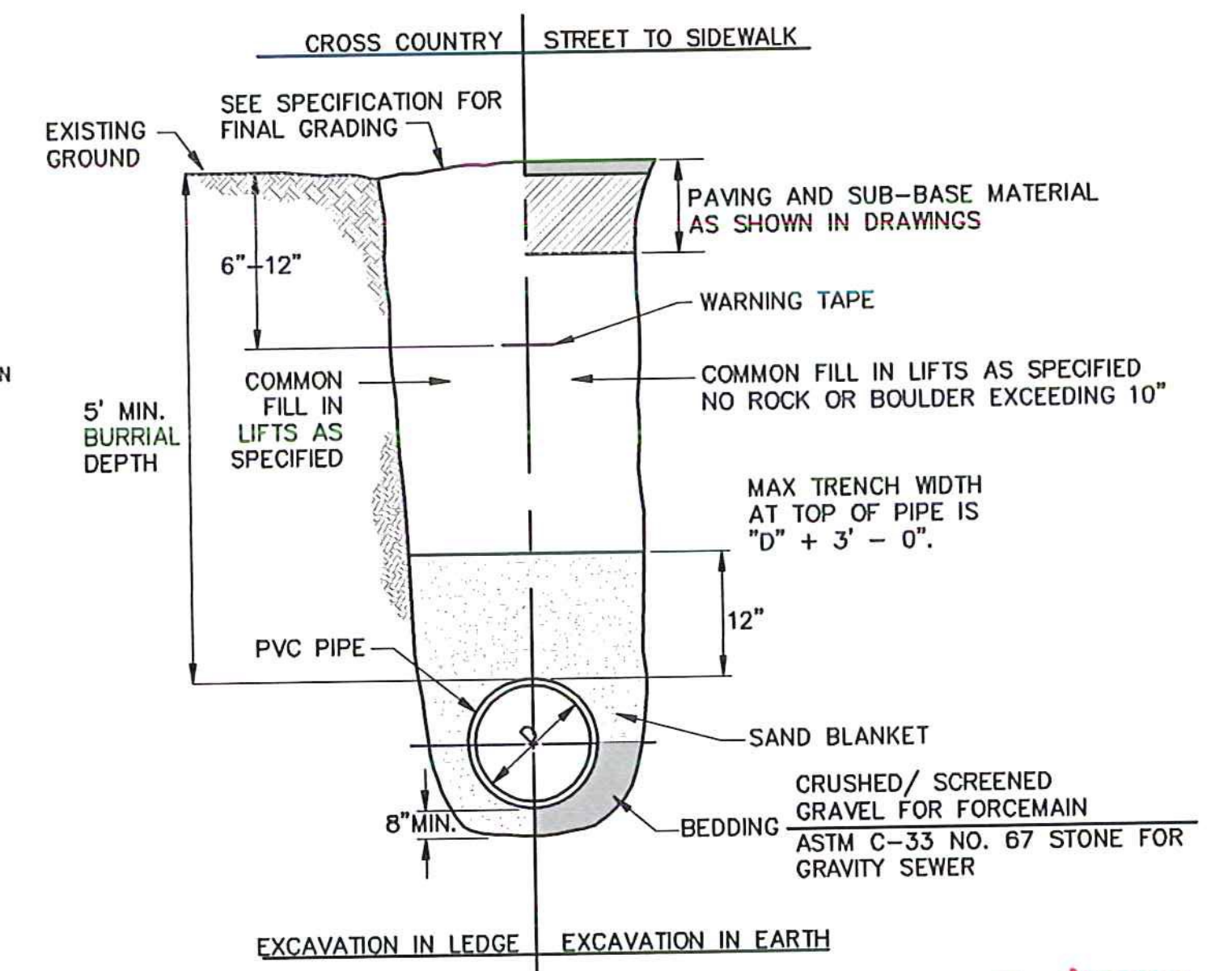
- NOTES:
- PUMP ALARMS SHALL BE BOTH AUDIBLE AND VISUAL. ALARM PLACEMENT TO BE COORDINATED WITH OWNER.
 - EMERGENCY STORAGE HAS THE FOLLOWING CHARACTERISTICS:
DIA: 8' I.D.
RIM: 930.76
INV IN: 927.6
FLOOR INV: 920.1
REFER TO DETAIL ON SHEET SD-05



PIPE MATERIALS: FORCE MAIN PIPE: FUSIBLE PVC DR10 (C-900 PVC) OR HDPE DR9 (C-900 PIPE GREEN IN COLOR). ALL JOINTS SHALL BE FIELD ASSEMBLED BUTT FUSED JOINTS IN CONFORMANCE WITH PIPE SUPPLIERS WRITTEN GUIDELINES.

SERVICE PIPE (4\"/>

TRENCH WIDTH TABLE	
PIPE DIAMETER	TRENCH WIDTH
<4\"/>	



EXCAVATION IN LEDGE EXCAVATION IN EARTH

COLLECTION PIPE MATERIALS:
GRAVITY SEWER PIPE: FUSIBLE PVC DR10 PIPE (GREEN IN COLOR)
ALL JOINTS SHALL BE FIELD ASSEMBLED BUTT FUSED JOINTS, IN CONFORMANCE WITH THE PIPE SUPPLIERS WRITTEN GUIDELINES

SERVICE PIPE (4\"/>

SCHEDULE B - WASTEWATER SYSTEM - BID SET
VTRANS PROJECT #AV1157046-301
JUNE 2016

REV	DATE	DESCRIPTION	BY
5	5/3/15	COLD WEATHER MODIFICATIONS	BMB
4	4/29/15	PERMITTING MODIFICATIONS	SKI
3	1/30/15	WW SYSTEM MODIFICATIONS	BMB
2	8/5/14	ANR COMMENTS	TCB
1	4/18/14	ADD 400-SERIES TEST PITS	CH

IT IS A VIOLATION OF LAW FOR ANY PERSON, UNLESS THEY ARE ACTING UNDER THE DIRECT DIRECTION OF A LICENSED PROFESSIONAL ENGINEER, ARCHITECT, LANDSCAPE ARCHITECT, OR LAND SURVEYOR, TO ALTER AN ITEM IN ANY WAY. IF AN ITEM BEARING THE STAMP OF A LICENSED PROFESSIONAL IS ALTERED, THE ALTERING ENGINEER, ARCHITECT, LANDSCAPE ARCHITECT, OR LAND SURVEYOR SHALL STAMP THE DOCUMENT AND INCLUDE THE NOTATION "ALTERED BY" FOLLOWED BY THEIR SIGNATURE, THE DATE OF SUCH ALTERATION, AND A SPECIFIC DESCRIPTION OF THE ALTERATION.

NEWPORT STATE AIRPORT
COVENTRY, VERMONT
NEWPORT WASTEWATER
SANITARY SEWER DETAILS

SCALE:	N.T.S.	DESIGN:	TCB	SD-04
DRAWN:	MTF	PROJECT:	17958.01	34 OF 36
CHECKED:	BLS	DATE:	JUNE, 2014	



McFarland Johnson
53 REGIONAL DRIVE
CONCORD, NH 03301

ADD 400-SERIES TEST PITS (SEE RFI #4)