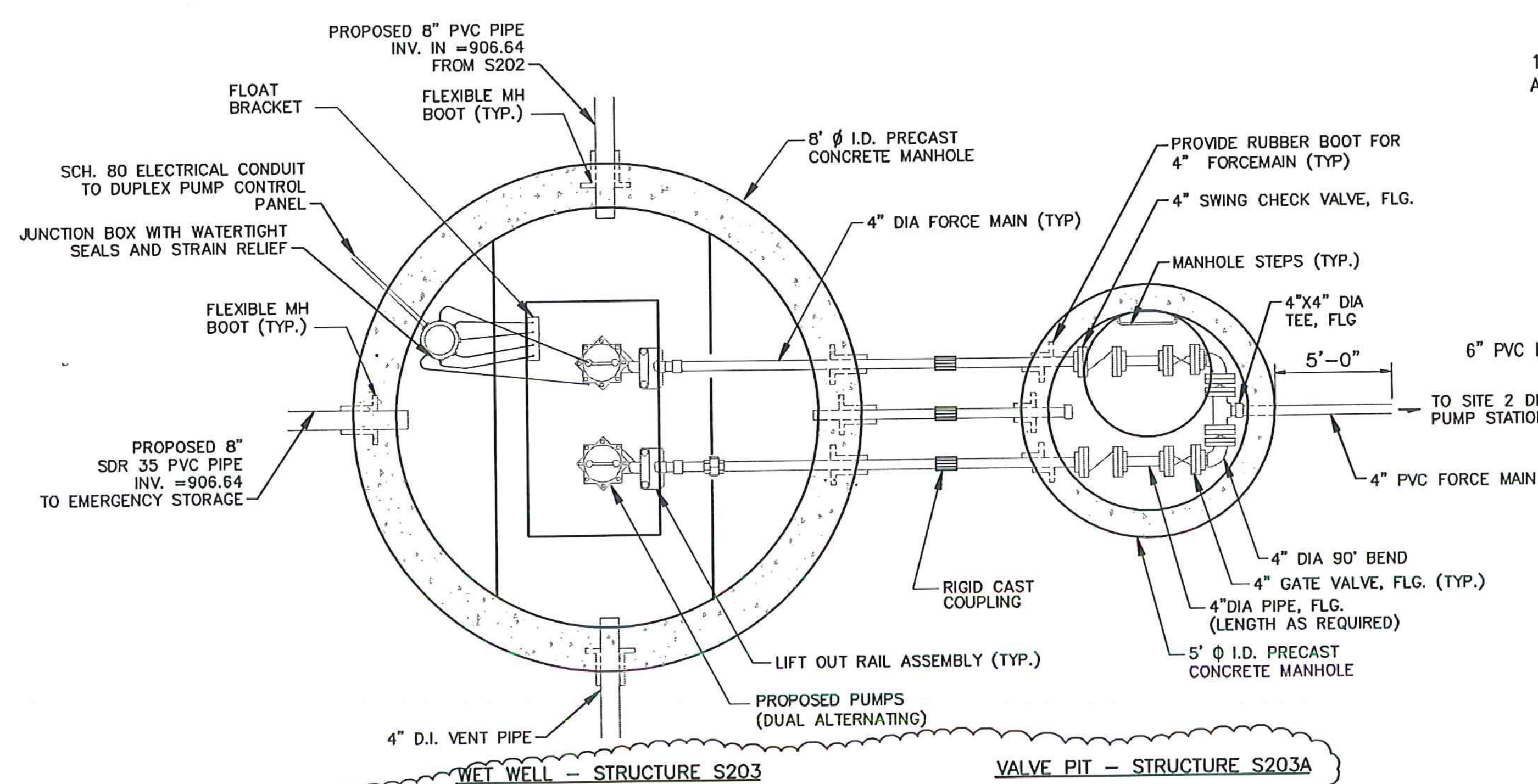
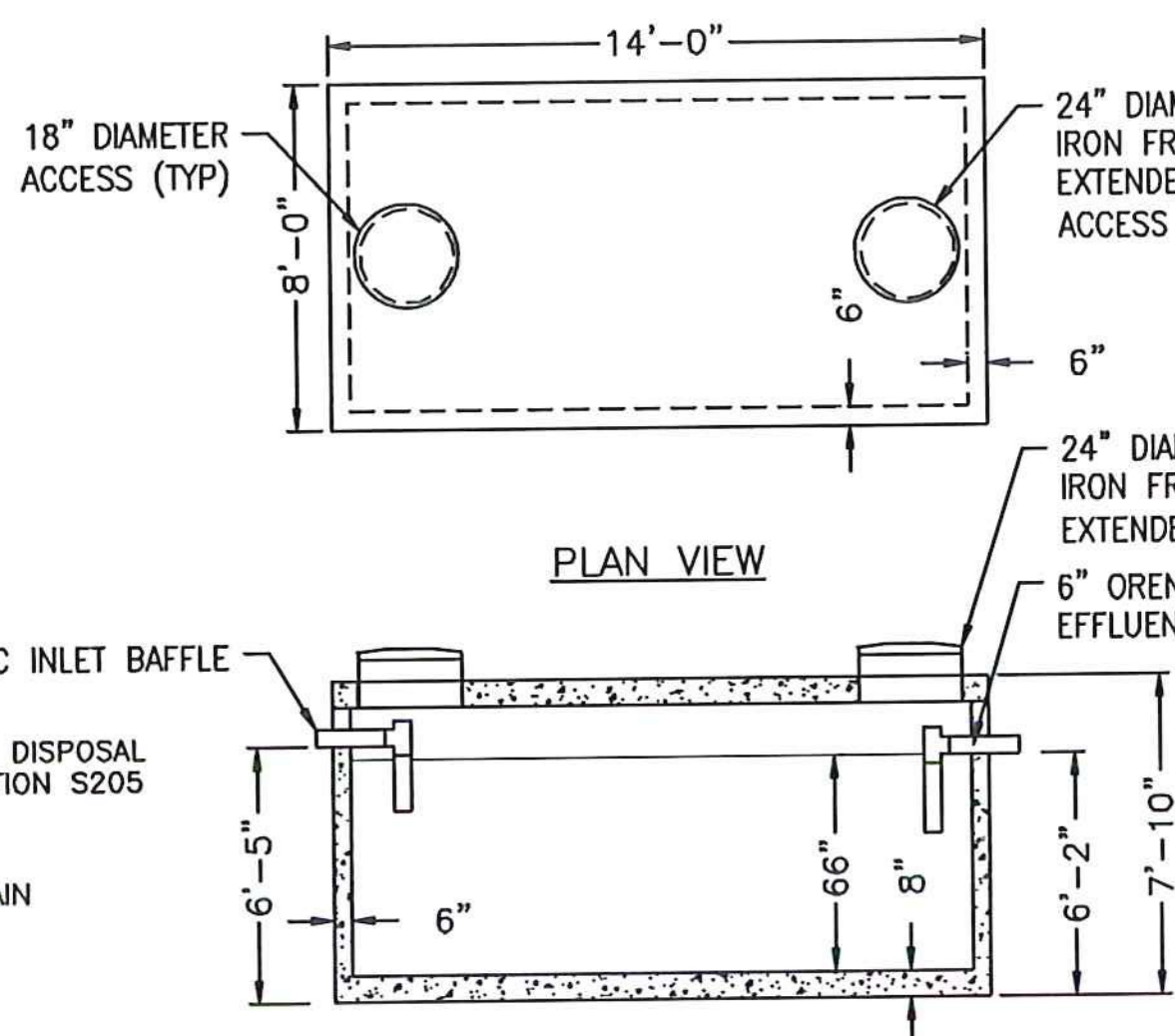


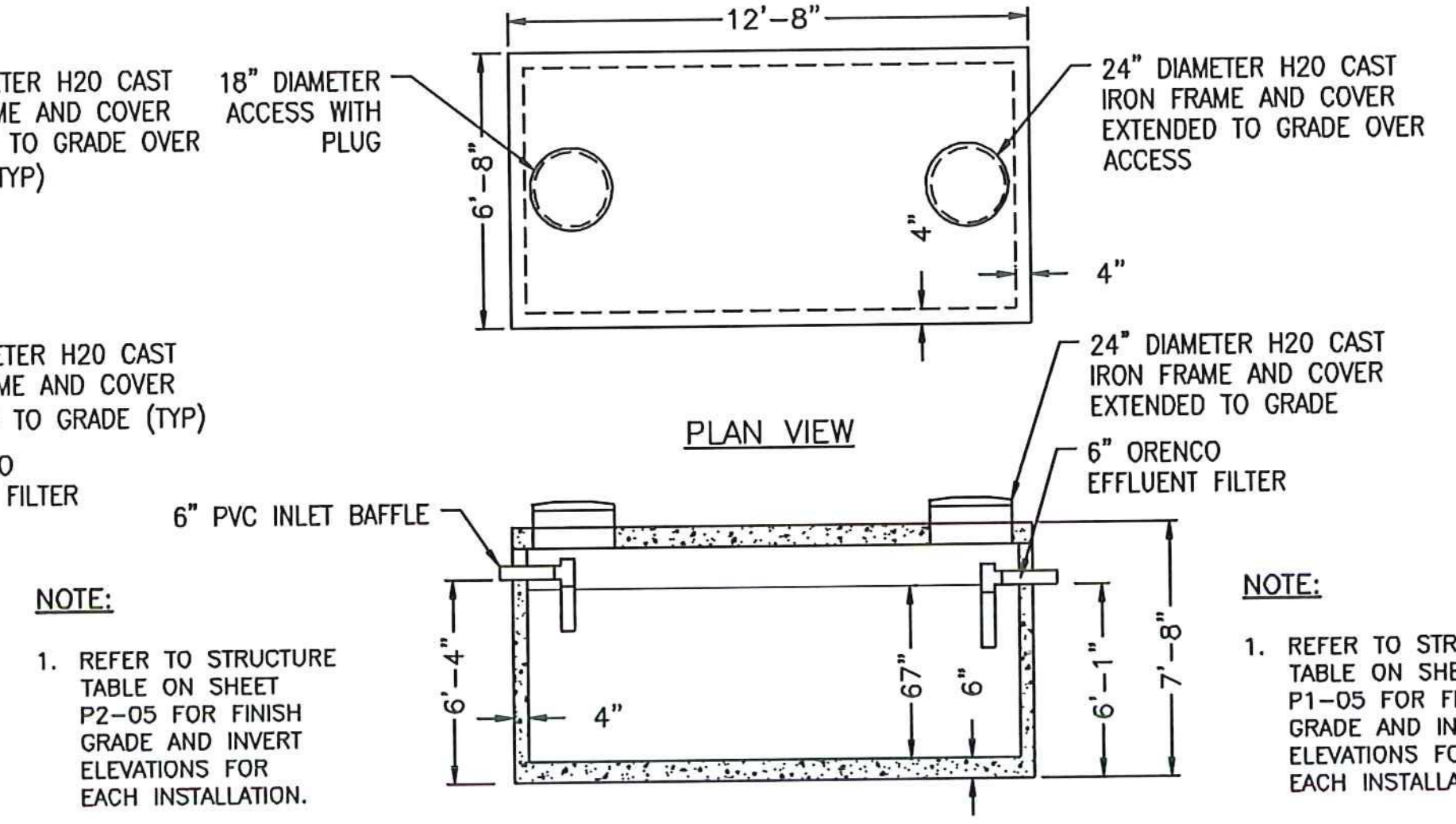
SEE REF #4 FOR BUOYANCY CALC.



WASTEWATER PUMP STATION S203 & VALVE PIT S203A - PLAN VIEW  
NOT TO SCALE



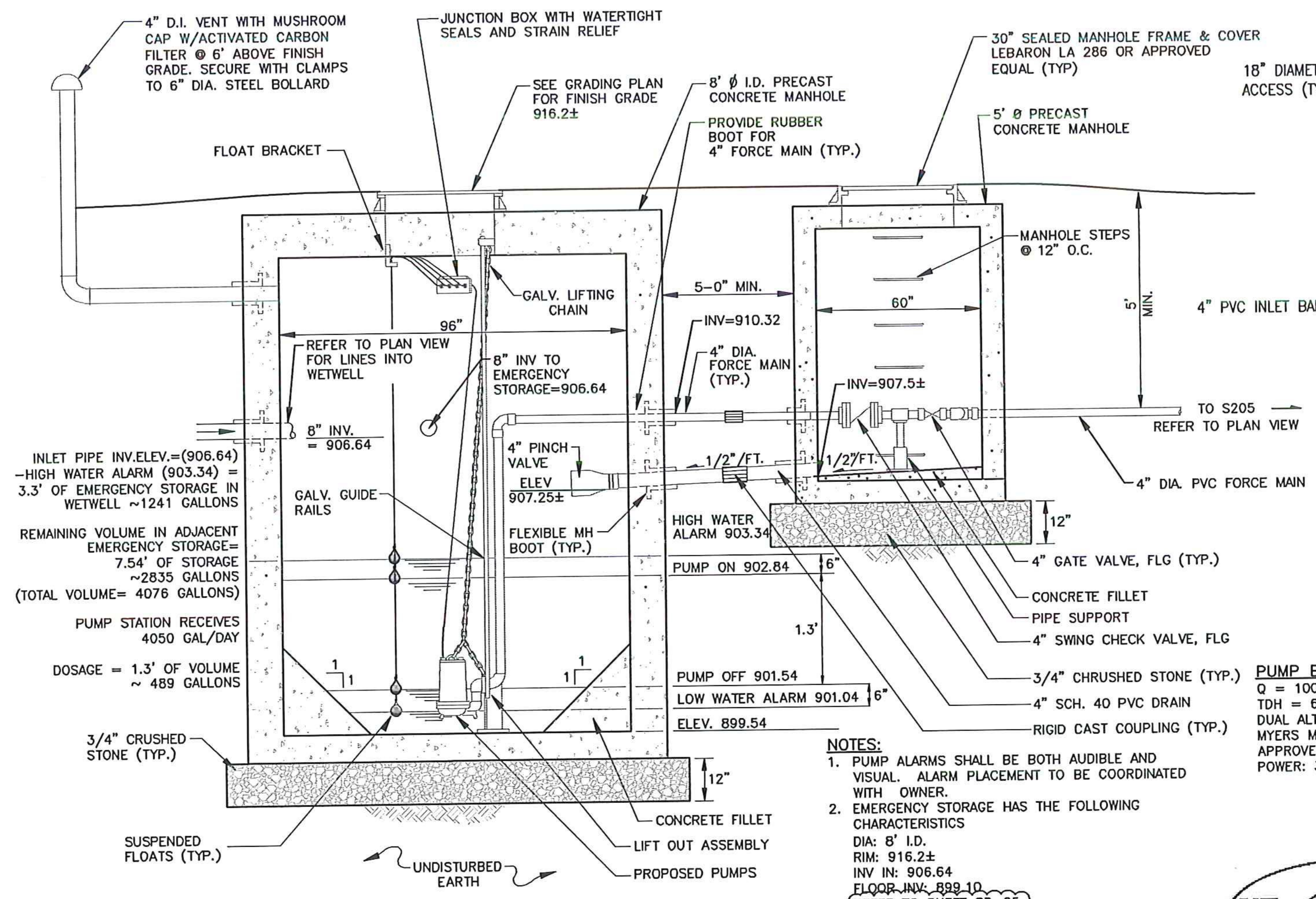
4000-GAL STANDARD SEPTIC TANK  
NOT TO SCALE



3000-GAL STANDARD SEPTIC TANK  
NOT TO SCALE

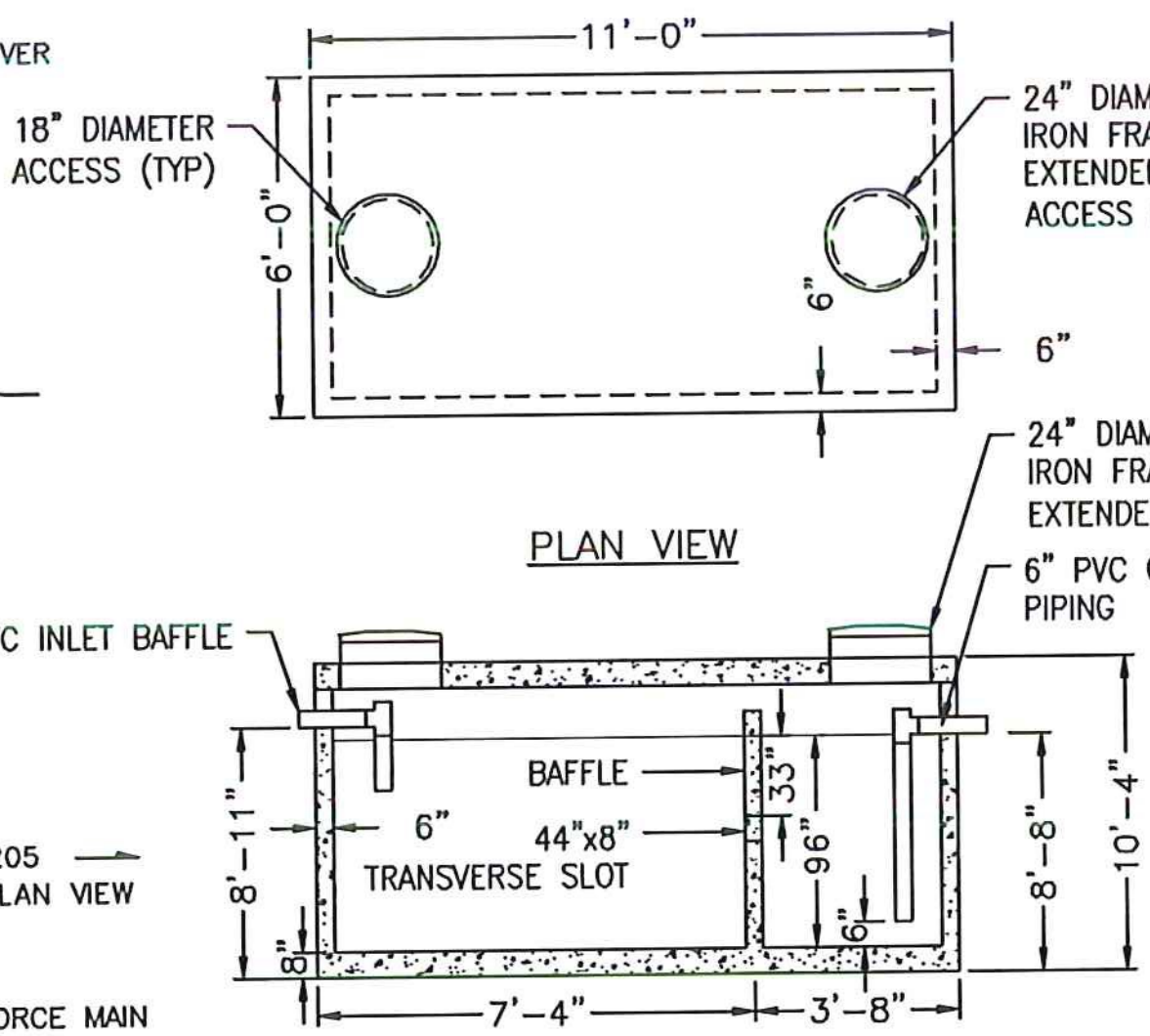
NOTE:  
1. REFER TO STRUCTURE TABLE ON SHEET P2-05 FOR FINISH GRADE AND INVERT ELEVATIONS FOR EACH INSTALLATION.

NOTE:  
1. REFER TO STRUCTURE TABLE ON SHEET P1-05 FOR FINISH GRADE AND INVERT ELEVATIONS FOR EACH INSTALLATION.

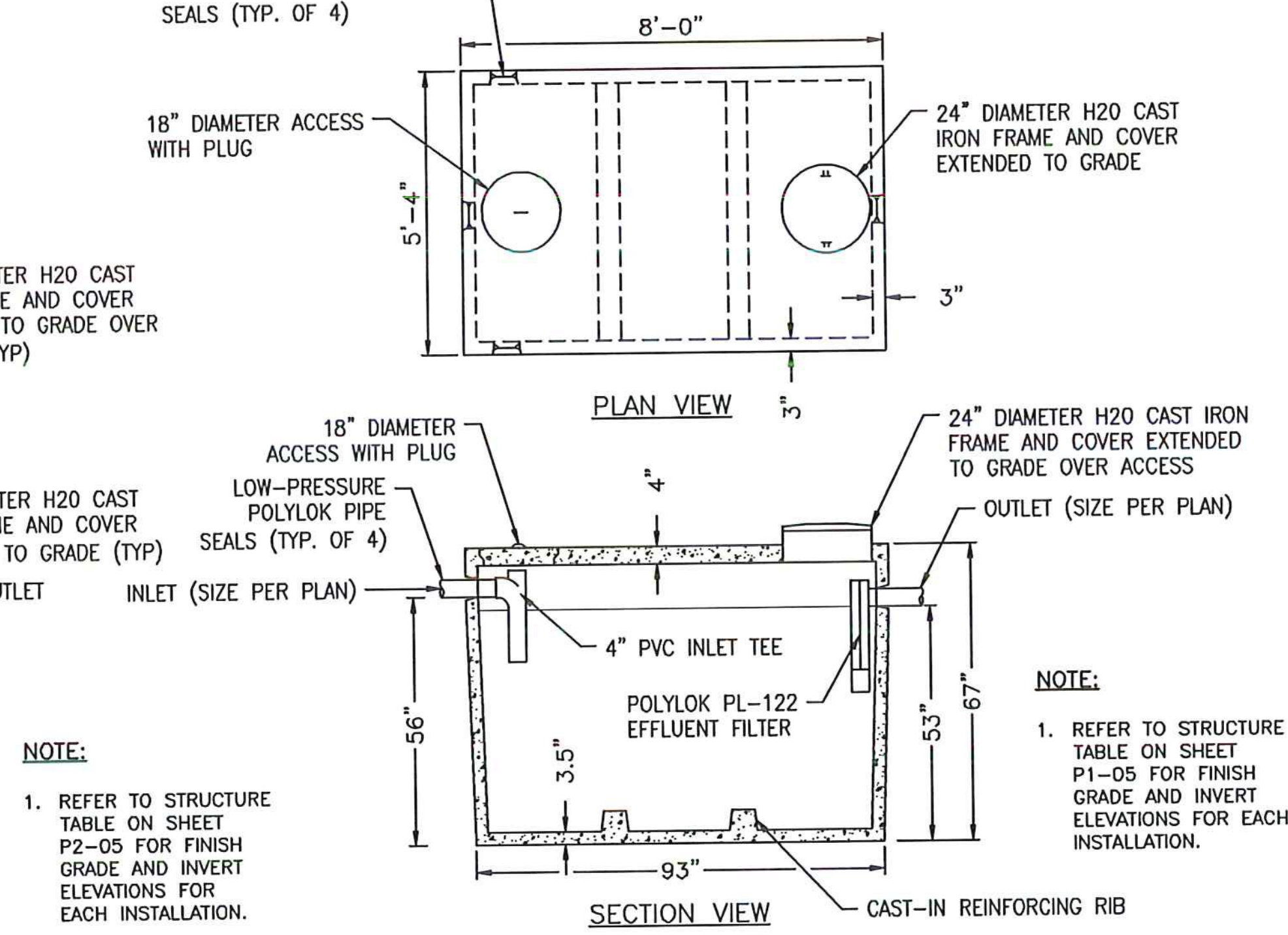


SITE 2 WASTEWATER PUMP STATION S203 & VALVE PIT S203A - SECTION  
NOT TO SCALE

NOTES:  
1. PUMP ALARMS SHALL BE BOTH AUDIBLE AND VISUAL. ALARM PLACEMENT TO BE COORDINATED WITH OWNER.  
2. EMERGENCY STORAGE HAS THE FOLLOWING CHARACTERISTICS  
DIA: 8' I.D.  
RIM: 916.2±  
INV IN: 906.64  
FLOW-INV: 899.10  
REFER TO SHEET SD-05



3000-GAL GREASE INTERCEPTOR  
NOT TO SCALE



1000-GAL STANDARD SEPTIC TANK  
NOT TO SCALE

NOTE:  
1. REFER TO STRUCTURE TABLE ON SHEET P2-05 FOR FINISH GRADE AND INVERT ELEVATIONS FOR EACH INSTALLATION.

NOTE:  
1. REFER TO STRUCTURE TABLE ON SHEET P1-05 FOR FINISH GRADE AND INVERT ELEVATIONS FOR EACH INSTALLATION.

SCHEDULE B - WASTEWATER SYSTEM - BID SET  
VTRANS PROJECT #AV1157046-301  
JUNE 2016

REV	DATE	DESCRIPTION	BY
5	5/3/15	COLD WEATHER MODIFICATIONS	BMB
4	4/29/15	PERMITTING MODIFICATIONS	SKI
3	1/30/15	WW SYSTEM MODIFICATIONS	BMB
2	8/5/14	ANR COMMENTS	TCB
1	4/18/14	ADD 400-SERIES TEST PITS	CH

IT IS A VIOLATION OF LAW FOR ANY PERSON, UNLESS THEY ARE ACTING UNDER THE DIRECT DIRECTION OF A LICENSED PROFESSIONAL ENGINEER, ARCHITECT, LANDSCAPE ARCHITECT, OR LAND SURVEYOR, TO ALTER AN ITEM IN ANY WAY. IF AN ITEM BEARING THE STAMP OF A LICENSED PROFESSIONAL IS ALTERED, THE ALTERING ENGINEER, ARCHITECT, LANDSCAPE ARCHITECT, OR LAND SURVEYOR SHALL STAMP THE DOCUMENT AND INCLUDE THE NOTATION "ALTERED BY" FOLLOWED BY THEIR SIGNATURE, THE DATE OF SUCH ALTERATION, AND A SPECIFIC DESCRIPTION OF THE ALTERATION.

NEWPORT STATE AIRPORT  
COVENTRY, VERMONT  
NEWPORT WASTEWATER

SANITARY SEWER DETAILS

SCALE: N.T.S.	DESIGN: TCB	SD-03 33 OF 36
DRAWN: MTF	PROJECT: 17958.01	
CHECKED: BLS	DATE: JUNE, 2014	



**McFarland Johnson**  
53 REGIONAL DRIVE  
CONCORD, NH 03301