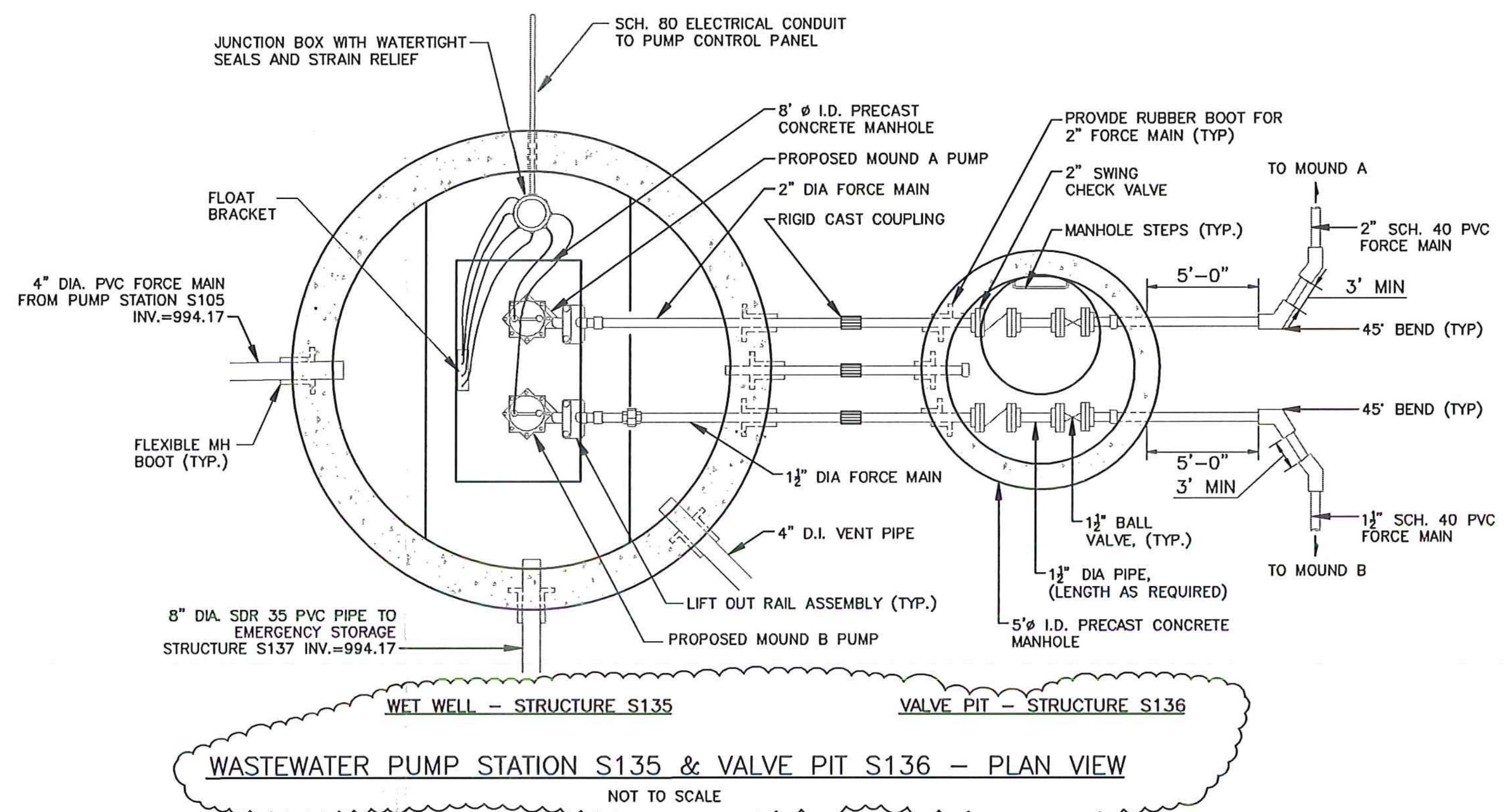
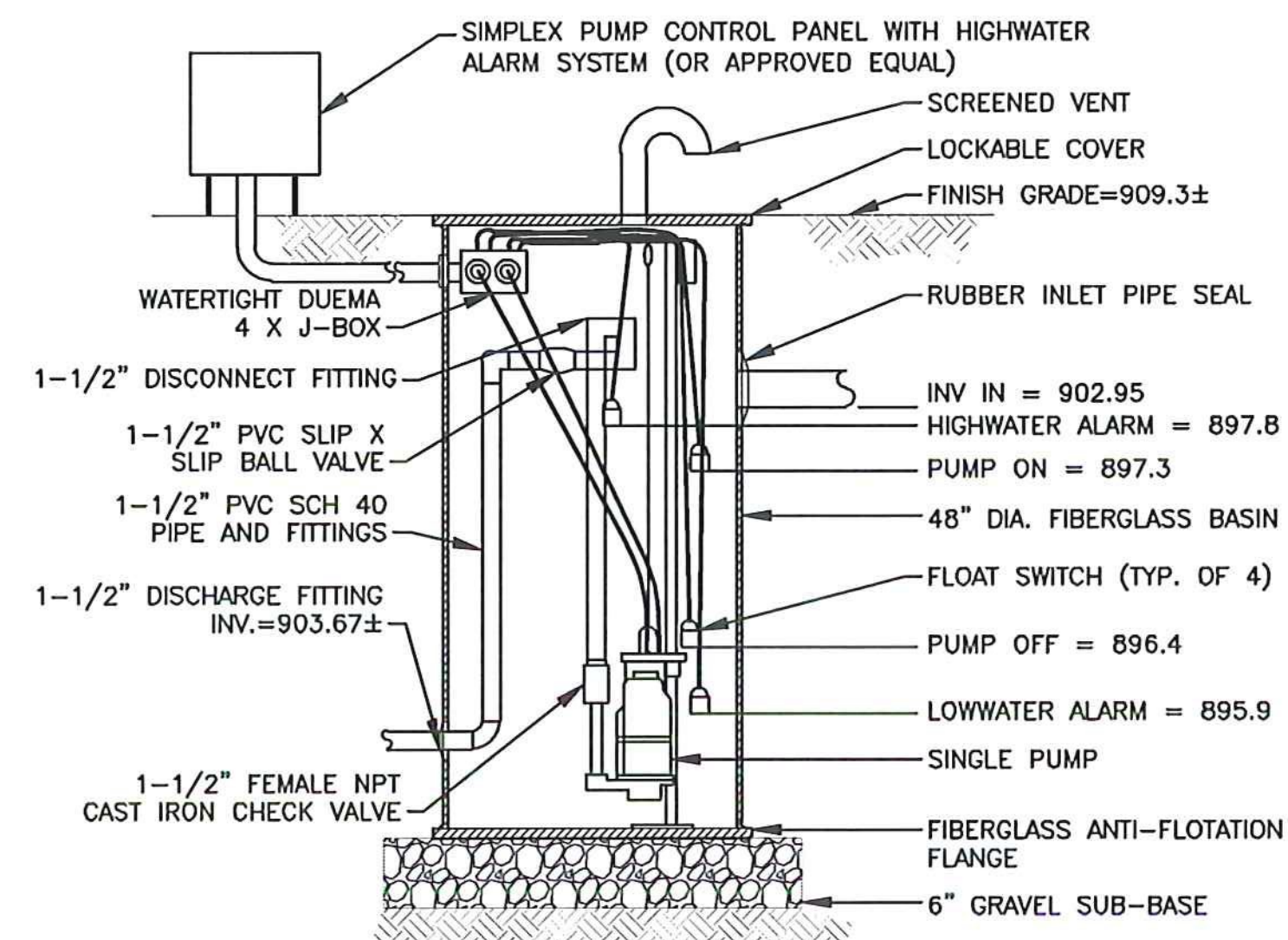


NOT CONSTRUCTED AS PART OF CONTRACT



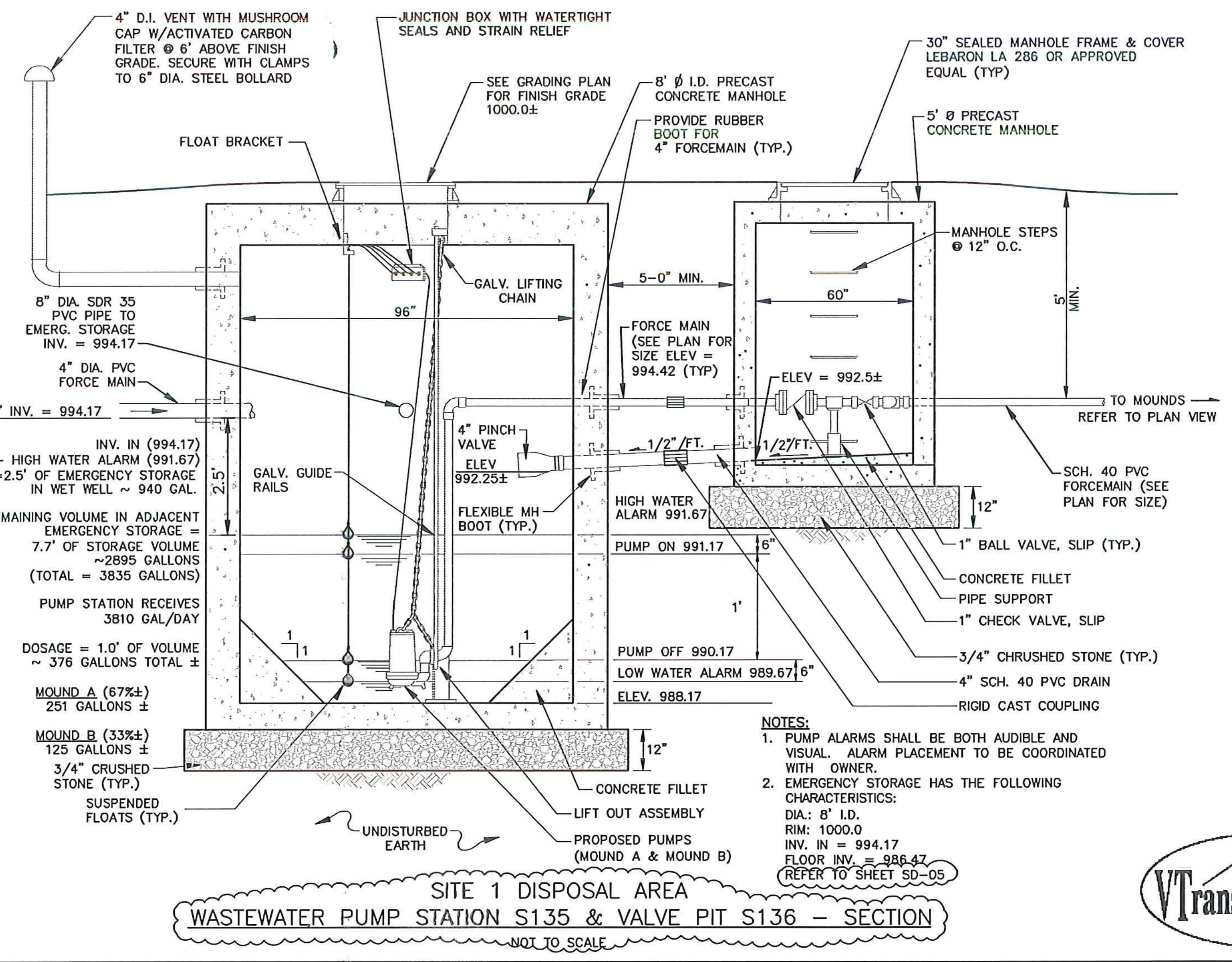
WET WELL - STRUCTURE S135 VALVE PIT - STRUCTURE S136
WASTEWATER PUMP STATION S135 & VALVE PIT S136 - PLAN VIEW
 NOT TO SCALE



BUILDING 7 SERVICE EFFLUENT PUMPING UNIT S128
 NOT TO SCALE

SEPTIC TANK ST127 INV. (903.0)
 -HIGH WATER ALARM (897.8)
 = 5.2' OF EMERGENCY STORAGE
 ~ 488.8 GAL
 PUMP STATION RECEIVES
 486 GAL/DAY (BLDG 7)
 DOSAGE = 0.9' OF VOLUME
 ~ 84.6 GALLONS

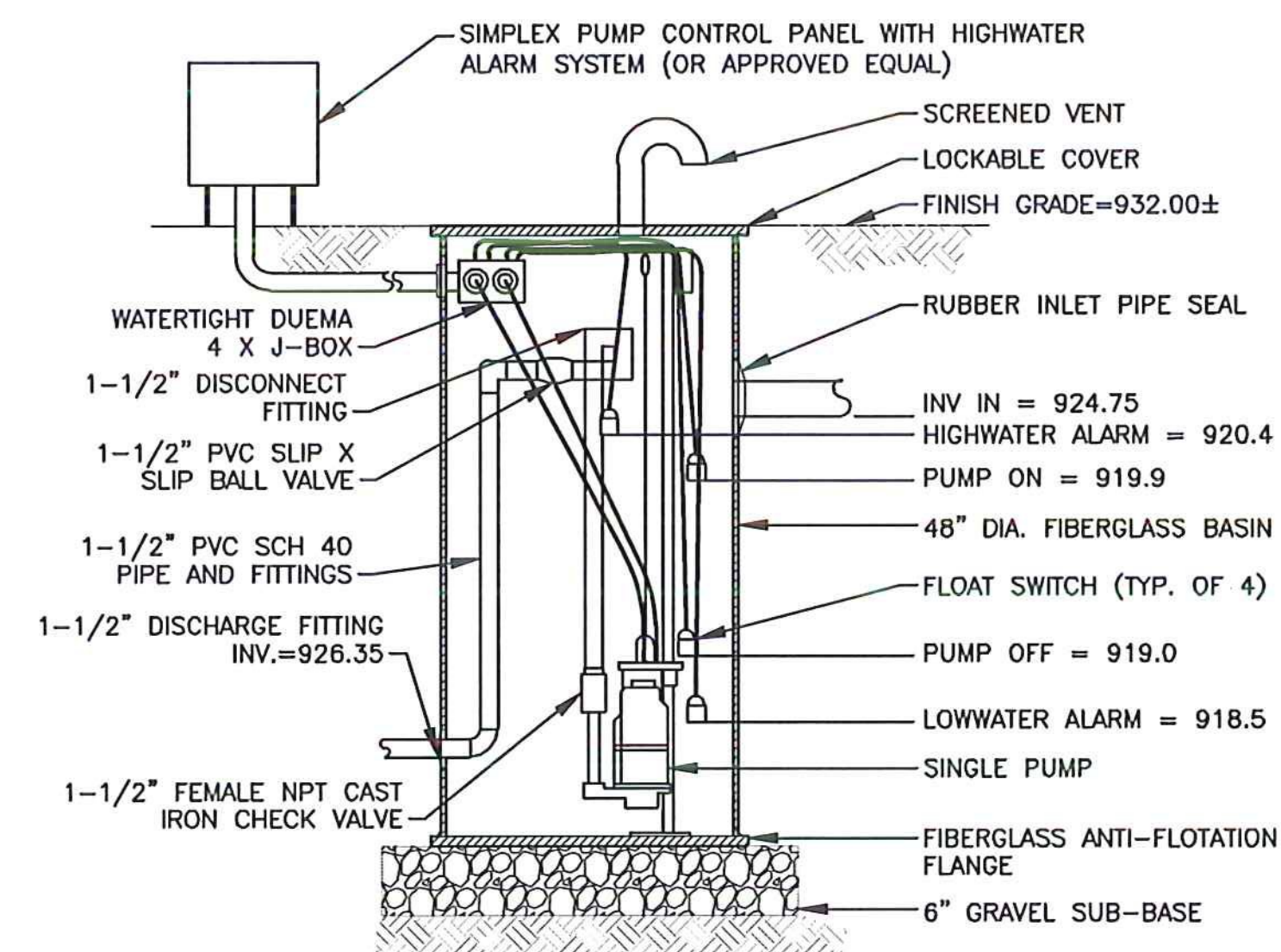
PUMP BASIS OF DESIGN
 Q = 20 GPM
 TDH = 22.1 FEET
 MYERS MODEL ME3F OR APPROVED EQUAL.
 POWER: SINGLE PHASE, 230V, 60HZ



SITE 1 DISPOSAL AREA WASTEWATER PUMP STATION S135 & VALVE PIT S136 - SECTION
 NOT TO SCALE

PUMP BASIS OF DESIGN
MOUND A PUMP
 Q = 32.2 GPM
 TDH = 12.7 FEET
 MYERS MODEL MDC33 OR APPROVED EQUAL.
 POWER: SINGLE PHASE, 115V, 60HZ
 RUN TIME = 251 GAL/32.2 GPM = 7.8± MIN
MOUND B PUMP
 Q = 16.2 GPM
 TDH = 13.8 FEET
 MYERS MODEL D550 OR APPROVED EQUAL.
 POWER: SINGLE PHASE, 115V, 60HZ
 RUN TIME = 125 GAL/16.2 GPM = 7.7± MIN
 PUMP CONTROLS TO BE GOVERNED BY THE PUMP RUN TIMES AFTER STARTED BY PUMP ON FLOAT. THE PUMP OFF FLOATS ARE TO BE USED AS A BACKUP TO THE RUN TIMES.

NOTES:
 1. PUMP ALARMS SHALL BE BOTH AUDIBLE AND VISUAL. ALARM PLACEMENT TO BE COORDINATED WITH OWNER.
 2. EMERGENCY STORAGE HAS THE FOLLOWING CHARACTERISTICS:
 DIA.: 8' I.D.
 RIM: 1000.0
 INV. IN = 994.17
 FLOOR INV. = 986.47
 (REFER TO SHEET SD-05)



BUILDING 9 SERVICE EFFLUENT PUMPING UNIT S132
 NOT TO SCALE

INV. IN (924.75)
 - HIGH WATER ALARM (920.4)
 = 4.35' OF EMERGENCY STORAGE
 ~ 409 GAL
 PUMP STATION RECEIVES
 324 GAL/DAY (BLDG 9)
 DOSAGE = 0.9' OF VOLUME
 ~ 86.4 GALLONS

PUMP BASIS OF DESIGN
 Q = 20 GPM
 TDH = 24.5 FEET
 MYERS MODEL ME3H OR APPROVED EQUAL.
 POWER: SINGLE PHASE, 230V, 60HZ

PERMIT PLANS

5	5/3/15	COLD WEATHER MODIFICATIONS	BMB
4	4/29/15	PERMITTING MODIFICATIONS	SKI
3	1/30/15	WW SYSTEM MODIFICATIONS	BMB
2	8/5/14	ANR COMMENTS	TCB
1	4/18/14	ADD 400-SERIES TEST PITS	CH
REV	DATE	DESCRIPTION	BY

IT IS A VIOLATION OF LAW FOR ANY PERSON, UNLESS THEY ARE ACTING UNDER THE DIRECT DIRECTION OF A LICENSED PROFESSIONAL ENGINEER, ARCHITECT, LANDSCAPE ARCHITECT, OR LAND SURVEYOR, TO ALTER AN ITEM IN ANY WAY. IF AN ITEM BEARING THE STAMP OF A LICENSED PROFESSIONAL IS ALTERED, THE ALTERING ENGINEER, ARCHITECT, LANDSCAPE ARCHITECT, OR LAND SURVEYOR SHALL STAMP THE DOCUMENT AND INCLUDE THE NOTATION "ALTERED BY" FOLLOWED BY THEIR SIGNATURE, THE DATE OF SUCH ALTERATION, AND A SPECIFIC DESCRIPTION OF THE ALTERATION.

NEWPORT STATE AIRPORT
 COVENTRY, VERMONT
 NEWPORT WASTEWATER

SANITARY SEWER DETAILS

SCALE:	N.T.S.	DESIGN:	TCB	SD-02 32 OF 36
DRAWN:	MTF	PROJECT:	17958.01	
CHECKED:	BLS	DATE:	JUNE, 2014	



McFarland Johnson
 53 REGIONAL DRIVE
 CONCORD, NH 03301