

BOUND F:

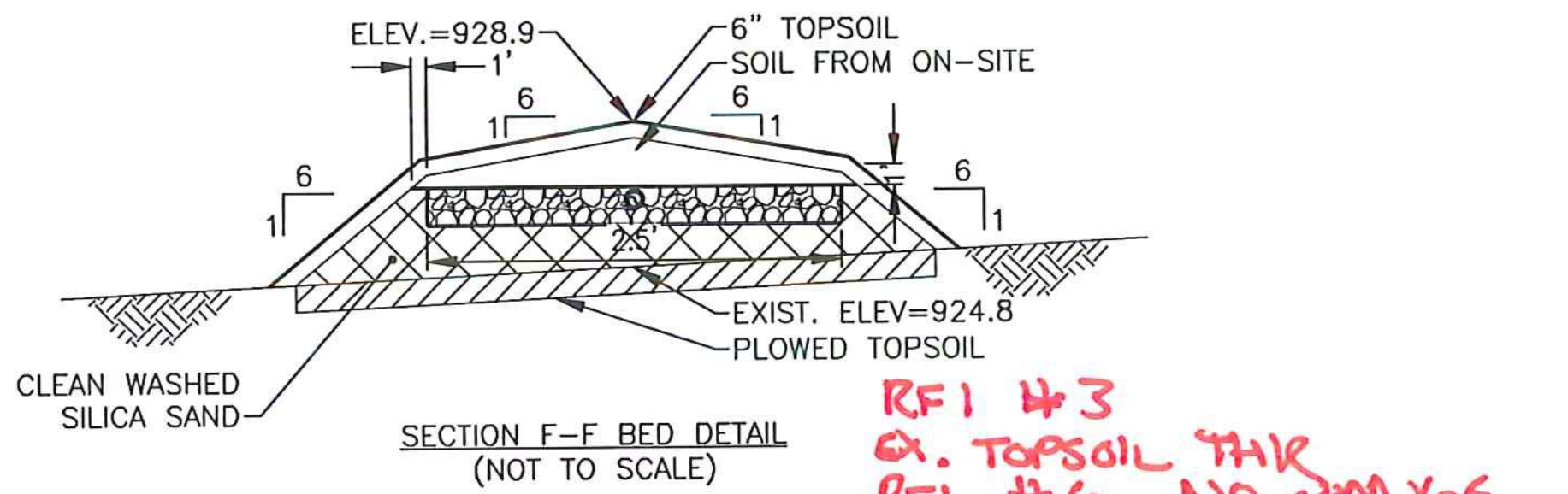
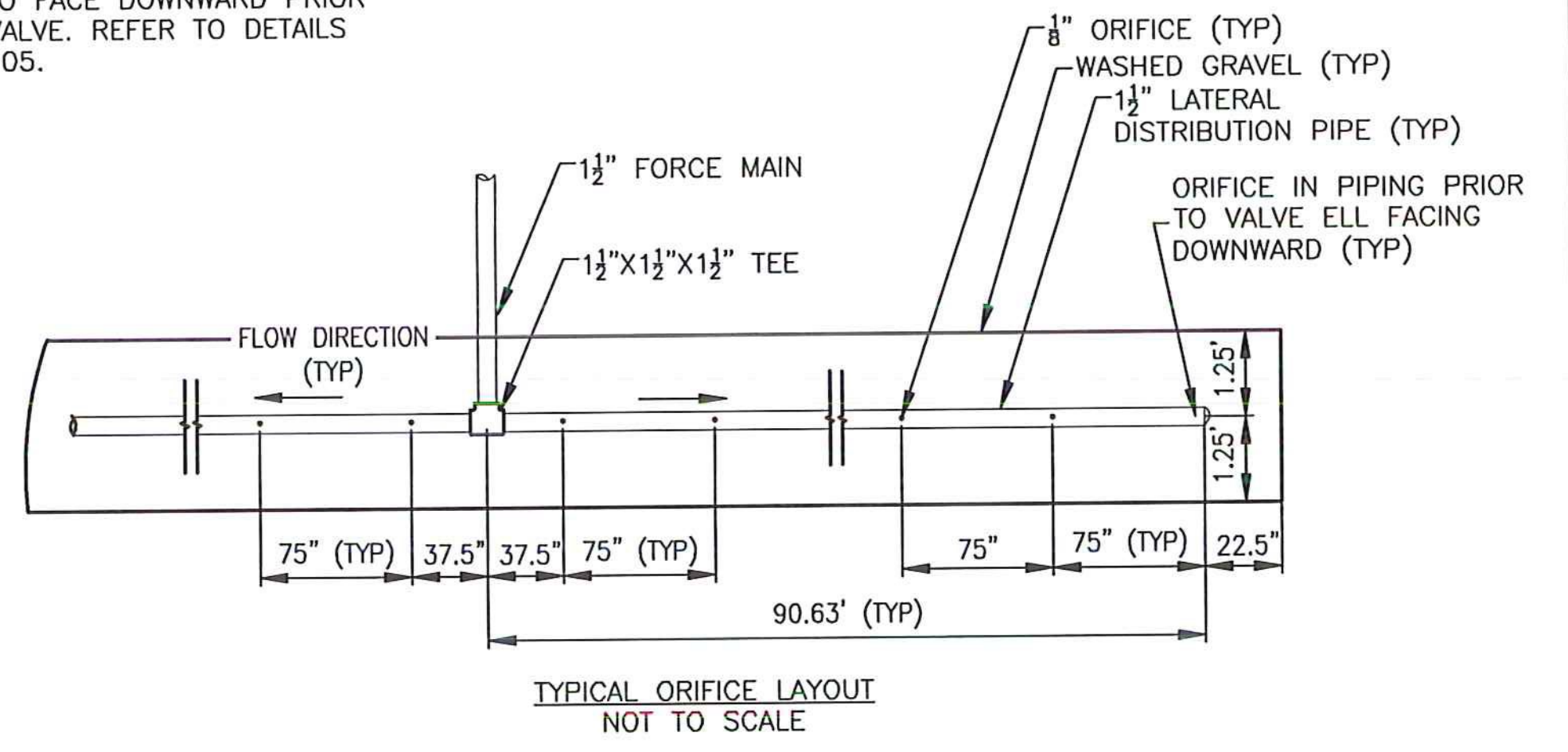
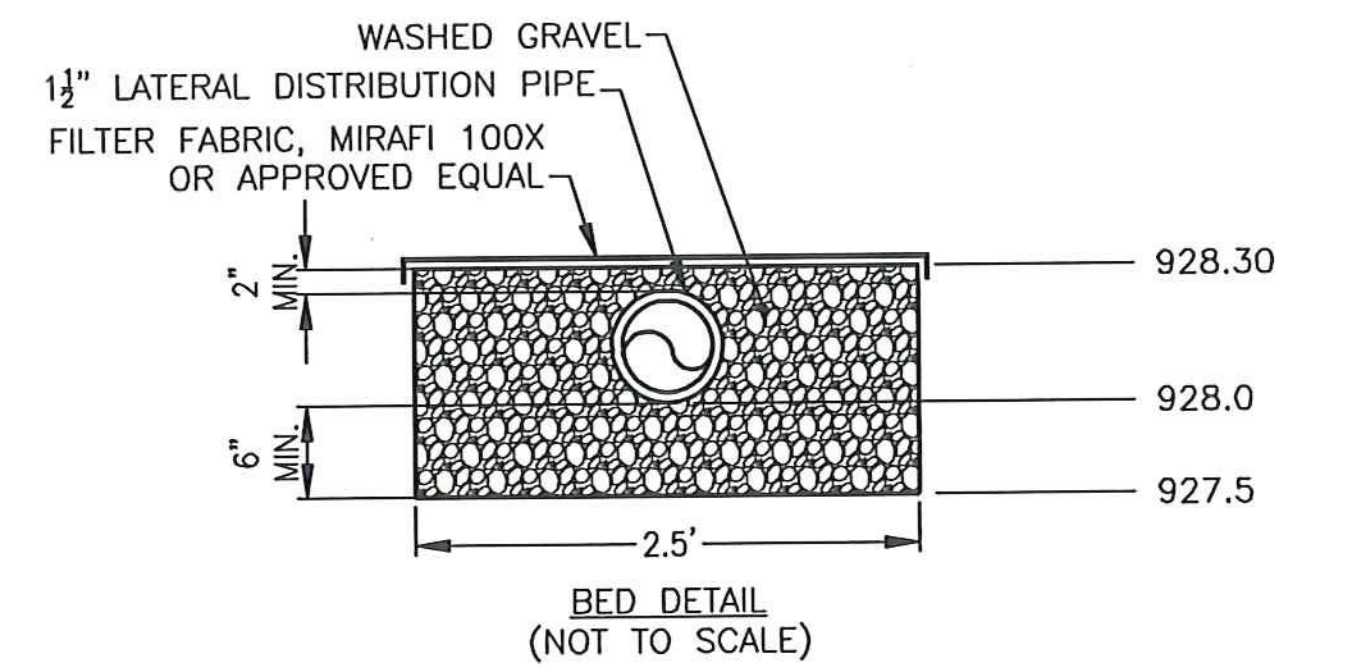
Q = 460 GAL/DAY
 MIN. BASAL AREA = 1,917 SF
 APPLICATION RATE = 0.24 GPD/SF
 AREA PROVIDED = 1,981 SF

BED:
 LENGTH = 185'
 WIDTH = 2.5'
 AREA = 463 SF

LATERAL PIPING & ORIFICES:
 PROVIDE 1/2" HOLES @ 75" SPACING TO PROVIDE MAX 25SF PER ORIFICE. TOTAL NUMBER OF ORIFICES = 30 (15 PER LATERAL)

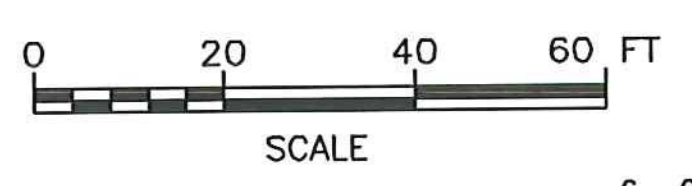
MOST ORIFICES TO FACE UPWARD WITH ORIFICE SHIELD. PROVIDE DOWNWARD ORIFICE EVERY 4± ORIFICES TO ALLOW FOR DRAINAGE OF THE SYSTEM.

LAST ORIFICE TO FACE DOWNWARD PRIOR TO FLUSHING VALVE. REFER TO DETAILS ON SHEET SD-05.



WASHED GRAVEL: WASHED GRAVEL SHALL MEET THE REQUIREMENTS OF THE STATE OF VERMONT, AGENCY OF NATURAL RESOURCES', ENVIRONMENTAL PROTECTION RULES, CHAPTER 1, WASTEWATER SYSTEM AND POTABLE WATER SUPPLY RULES DEFINITION OF "CRUSHED STONE"; CLEAN DURABLE STONE 3/4" < DIAMETER < 1-1/2"

CLEAN WASHED SILICA SAND: CLEAN WASHED SILICA SAND SHALL MEET THE REQUIREMENTS OF THE STATE OF VERMONT, AGENCY OF NATURAL RESOURCES', ENVIRONMENTAL PROTECTION RULES, CHAPTER 1, WASTEWATER SYSTEM AND POTABLE WATER SUPPLY RULES, SECTION 1-913(C).



SCHEDULE B - WASTEWATER SYSTEM - BID SET
 VTRANS PROJECT #AV157046-301
 JUNE 2016

REV	DATE	DESCRIPTION	BY
6	6/15/15	INSULATION CHANGES	BLS
5	5/3/15	COLD WEATHER MODIFICATIONS	BMB
4	4/29/15	PERMITTING MODIFICATIONS	SKI
3	1/30/15	WW SYSTEM MODIFICATIONS	BMB
2	8/5/14	ANR COMMENTS	TCB
1	4/18/14	ADD 400-SERIES TEST PITS	CH

IT IS A VIOLATION OF LAW FOR ANY PERSON, UNLESS THEY ARE ACTING UNDER THE DIRECT DIRECTION OF A LICENSED PROFESSIONAL ENGINEER, ARCHITECT, LANDSCAPE ARCHITECT, OR LAND SURVEYOR, TO ALTER AN ITEM IN ANY WAY. IF AN ITEM BEARING THE STAMP OF A LICENSED PROFESSIONAL IS ALTERED, THE ALTERING ENGINEER, ARCHITECT, LANDSCAPE ARCHITECT, OR LAND SURVEYOR SHALL STAMP THE DOCUMENT AND INCLUDE THE NOTATION "ALTERED BY" FOLLOWED BY THEIR SIGNATURE, THE DATE OF SUCH ALTERATION, AND A SPECIFIC DESCRIPTION OF THE ALTERATION.

NEWPORT STATE AIRPORT
 COVENTRY, VERMONT
 NEWPORT WASTEWATER

SITE 2 - MOUND F DETAIL

LOCATION	S.H.W.T.		IMPEDING SOILS (I) TYPE	BEDROCK (BR) DEPTH (FT)	GROUND WATER DEPTH (FT)	LIMITING CONDITION DEPTH (FT)	TYPE
	MOTTLES	DEPTH (FT)					
TP-27	YES	1.3	SILTY CLAY LOAM, FIRM MASSIVE	2.2	>4.5	>4.5	SWHT
TP-28	YES	1.3	SILT LOAM, FIRM MASSIVE	2.0	>7.0	1.3	SWHT
TP-307	YES	2.2	DENSE SILT	2.3	>3.5	>3.5	SWHT
TP-404	YES	0.8	DENSE SILT LOAM	0.8	>4.0	0.8	I, SWHT
TP-405	YES	0.8	DENSE SILT LOAM	0.8	>4.0	0.8	I, SWHT



McFarland Johnson
 53 REGIONAL DRIVE
 CONCORD, NH 03301

SCALE: 1" = 20'	DESIGN: TCB	MD2-03 30 of 36
DRAWN: MTF	PROJECT: 17958.01	
CHECKED: BLS	DATE: JUNE, 2014	