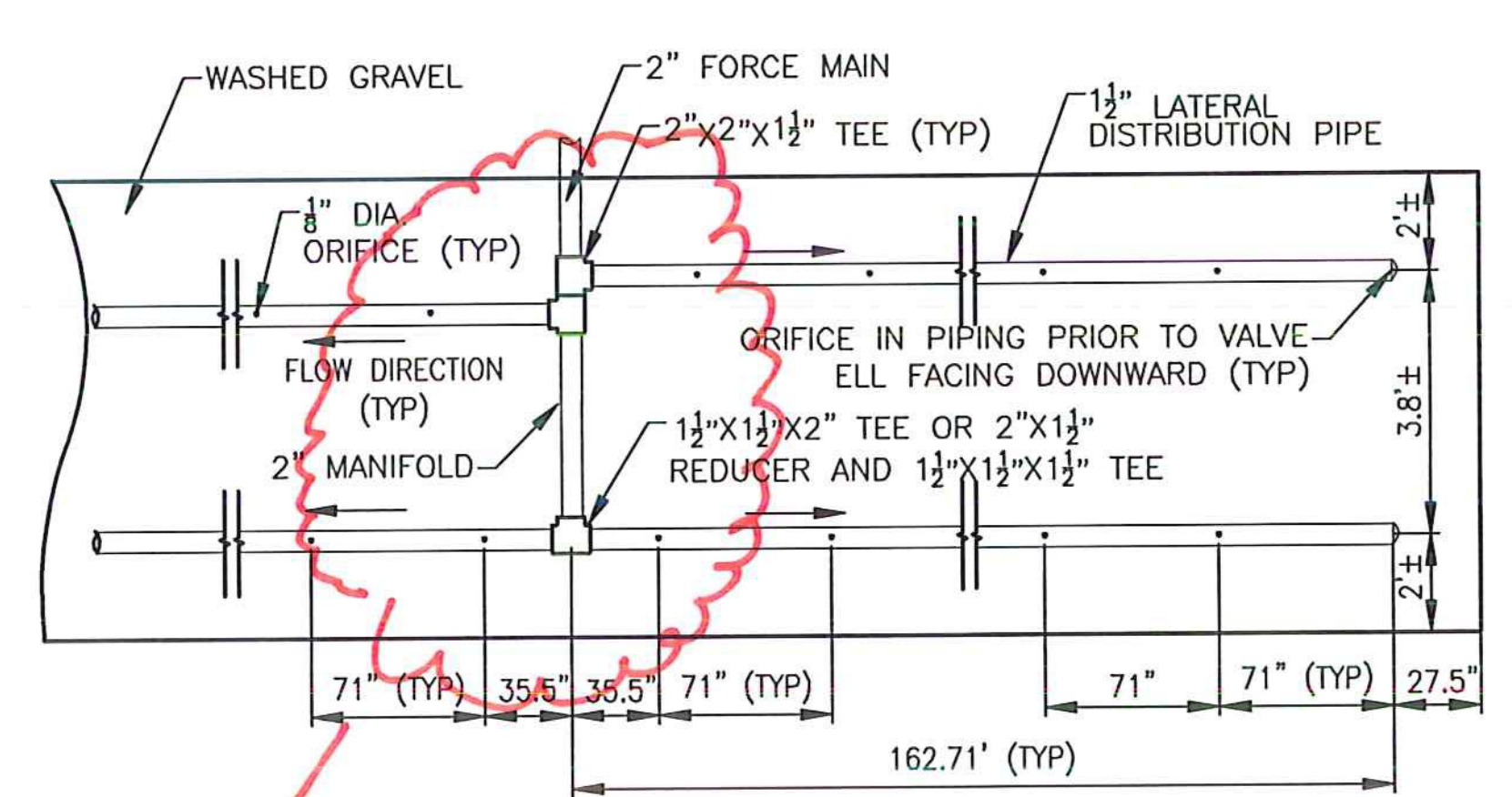
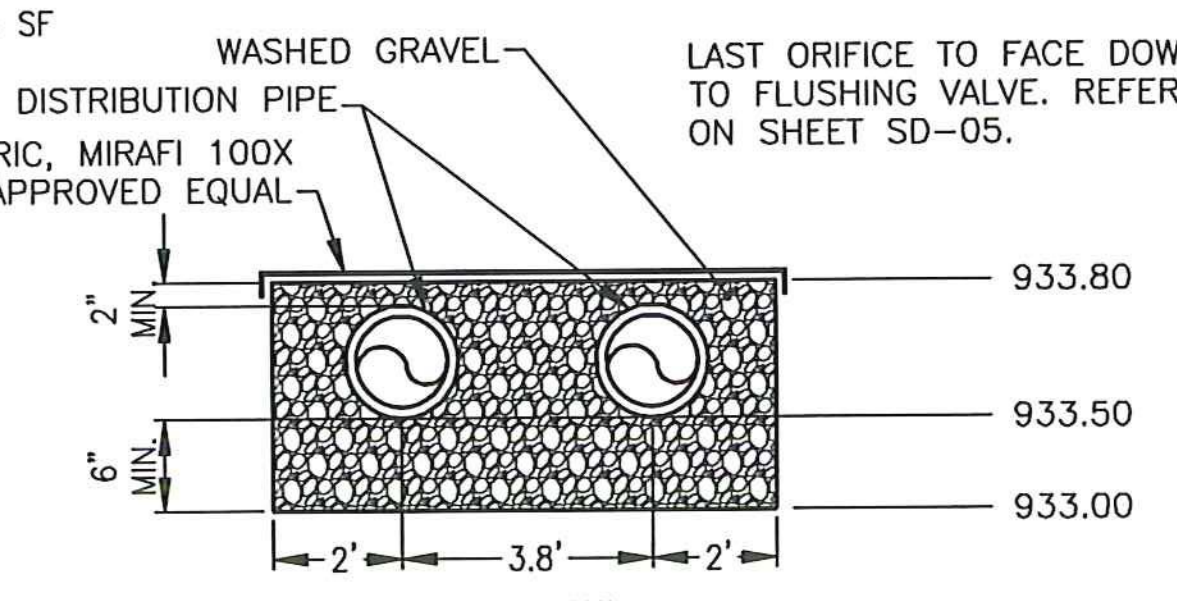


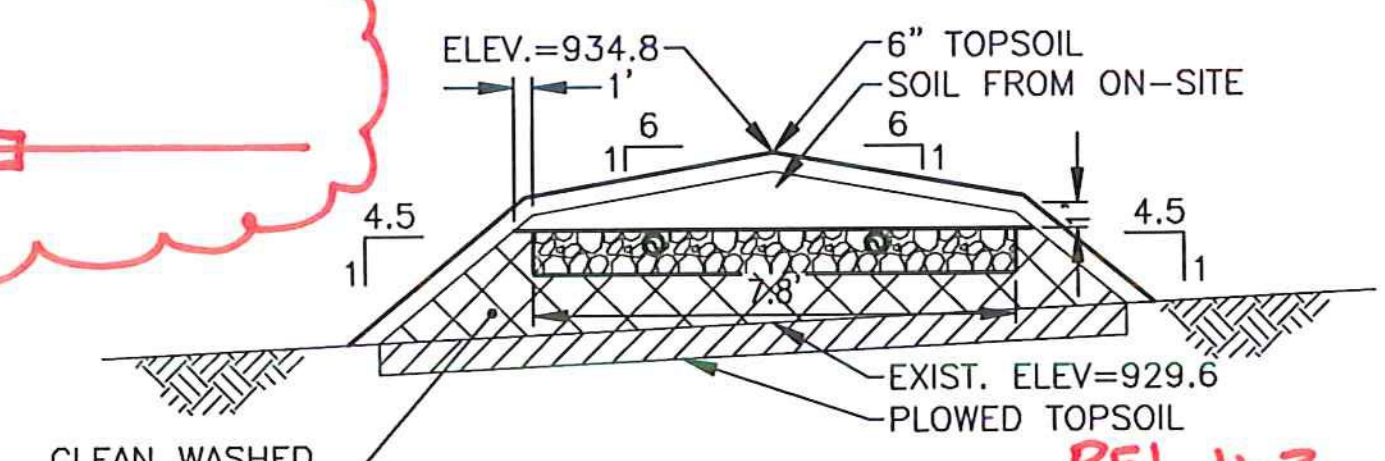
**MOUND E:**  
 Q = 1,980 GAL/DAY  
 MIN. BASAL AREA = 8,250 SF  
 APPLICATION RATE = 0.24 GPD/SF  
 AREA PROVIDED = 11,699 SF

**BED:**  
 LENGTH = 330'  
 WIDTH = 7.8'  
 AREA = 2,574 SF

**LATERAL PIPING & ORIFICES:**  
 PROVIDE 1/2" HOLES @ 71" SPACING TO PROVIDE MAX 25SF PER ORIFICE.  
 TOTAL NUMBER OF ORIFICES = 112 (28 ORIFICES PER LATERAL)  
 MOST ORIFICES TO FACE UPWARD WITH ORIFICE SHIELD. PROVIDE DOWNWARD ORIFICE EVERY 4± ORIFICES TO ALLOW FOR DRAINAGE OF THE SYSTEM.  
 LAST ORIFICE TO FACE DOWNWARD PRIOR TO FLUSHING VALVE. REFER TO DETAILS ON SHEET SD-05.



*RFI #7*  
 MANIFOLD DISTRIBUTION MANIFOLD

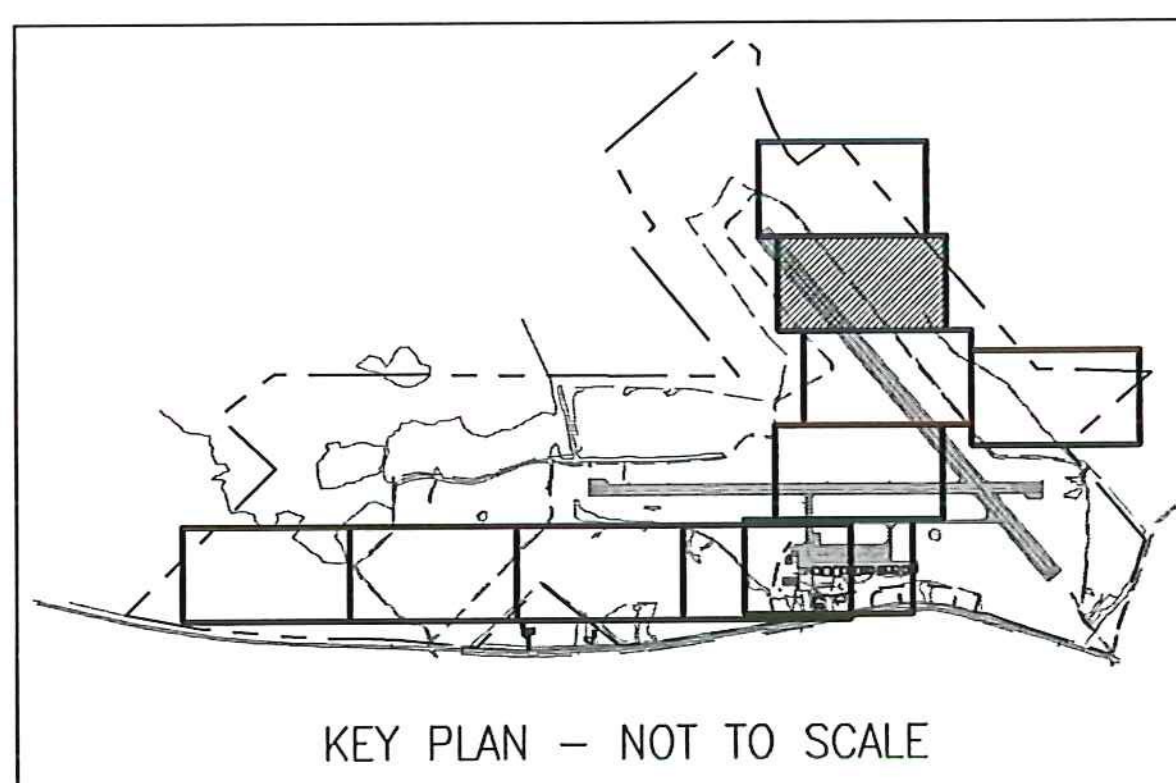


**WASHED GRAVEL:**  
 WASHED GRAVEL SHALL MEET THE REQUIREMENTS OF THE STATE OF VERMONT, AGENCY OF NATURAL RESOURCES', ENVIRONMENTAL PROTECTION RULES, CHAPTER 1, WASTEWATER SYSTEM AND POTABLE WATER SUPPLY RULES DEFINITION OF "CRUSHED STONE"; CLEAN DURABLE STONE 3/4" < DIAMETER < 1-1/2"

**CLEAN WASHED SILICA SAND:**  
 CLEAN WASHED SILICA SAND SHALL MEET THE REQUIREMENTS OF THE STATE OF VERMONT, AGENCY OF NATURAL RESOURCES', ENVIRONMENTAL PROTECTION RULES, CHAPTER 1, WASTEWATER SYSTEM AND POTABLE WATER SUPPLY RULES, SECTION 1-913(C).

*RFI #3*  
 EX. TOPSOIL THK. RFI #6 NO CHANGE TO GRADES

- LEGEND:**
- TEST PIT EXCAVATION
  - SANITARY FORCE MAIN
  - EXISTING CONTOUR
  - PROPOSED CONTOUR
  - EFFECTIVE BASAL AREA
  - ABSORPTION BED AREA



LOCATION	S.H.W.T.		IMPEDING SOILS (I)		BEDROCK (BR)	GROUND WATER	LIMITING CONDITION	
	MOTTLES	DEPTH (FT)	DEPTH (FT)	DEPTH (FT)	DEPTH (FT)	DEPTH (FT)	DEPTH (FT)	TYPE
TP-308	YES	1.5	DENSE SILT	1.5	>2.8	>2.8	1.5	I, SWHT
TP-401	YES	1.4	DENSE SILT LOAM	1.5	>3.3	1.7	1.4	SWHT
TP-402	YES	1.5	DENSE SILT LOAM	1.5	>3.8	1.8	1.5	I, SWHT
TP-403	YES	1.3	FIRM SILT LOAM, DENSE SILT-CLAY	1.5	>4.5	2.7	1.3	SWHT

SCHEDULE B - WASTEWATER SYSTEM - BID SET  
 VTTRANS PROJECT #AV157046-301  
 JUNE 2016

REV	DATE	DESCRIPTION	BY
6	6/15/15	INSULATION CHANGES	BLS
5	5/3/15	COLD WEATHER MODIFICATIONS	BMB
4	4/29/15	PERMITTING MODIFICATIONS	SKI
3	1/30/15	WW SYSTEM MODIFICATIONS	BMB
2	8/5/14	ANR COMMENTS	TCB
1	4/18/14	ADD 400-SERIES TEST PITS	CH



**McFarland Johnson**  
 53 REGIONAL DRIVE  
 CONCORD, NH 03301

IT IS A VIOLATION OF LAW FOR ANY PERSON, UNLESS THEY ARE ACTING UNDER THE DIRECT DIRECTION OF A LICENSED PROFESSIONAL ENGINEER, ARCHITECT, LANDSCAPE ARCHITECT, OR LAND SURVEYOR, TO ALTER AN ITEM IN ANY WAY. IF AN ITEM BEARING THE STAMP OF A LICENSED PROFESSIONAL IS ALTERED, THE ALTERING ENGINEER, ARCHITECT, LANDSCAPE ARCHITECT, OR LAND SURVEYOR SHALL STAMP THE DOCUMENT AND INCLUDE THE NOTATION "ALTERED BY" FOLLOWED BY THEIR SIGNATURE, THE DATE OF SUCH ALTERATION, AND A SPECIFIC DESCRIPTION OF THE ALTERATION.

NEWPORT STATE AIRPORT COVENTRY, VERMONT NEWPORT WASTEWATER		
SITE 2 - MOUND E DETAIL		
SCALE: 1" = 20'	DESIGN: TCB	MD2-02 29 of 96
DRAWN: TCB	PROJECT: 17958.01	
CHECKED: BLS	DATE: JUNE, 2014	

