

MOUND C
 Q = 760 GAL/DAY
 MIN. BASAL AREA = 3,167 SF
 APPLICATION RATE = 0.24 GPD/SF
 AREA PROVIDED = 3,789 SF

BED:
 LENGTH = 110'
 WIDTH = 7.8'
 AREA = 858 SF

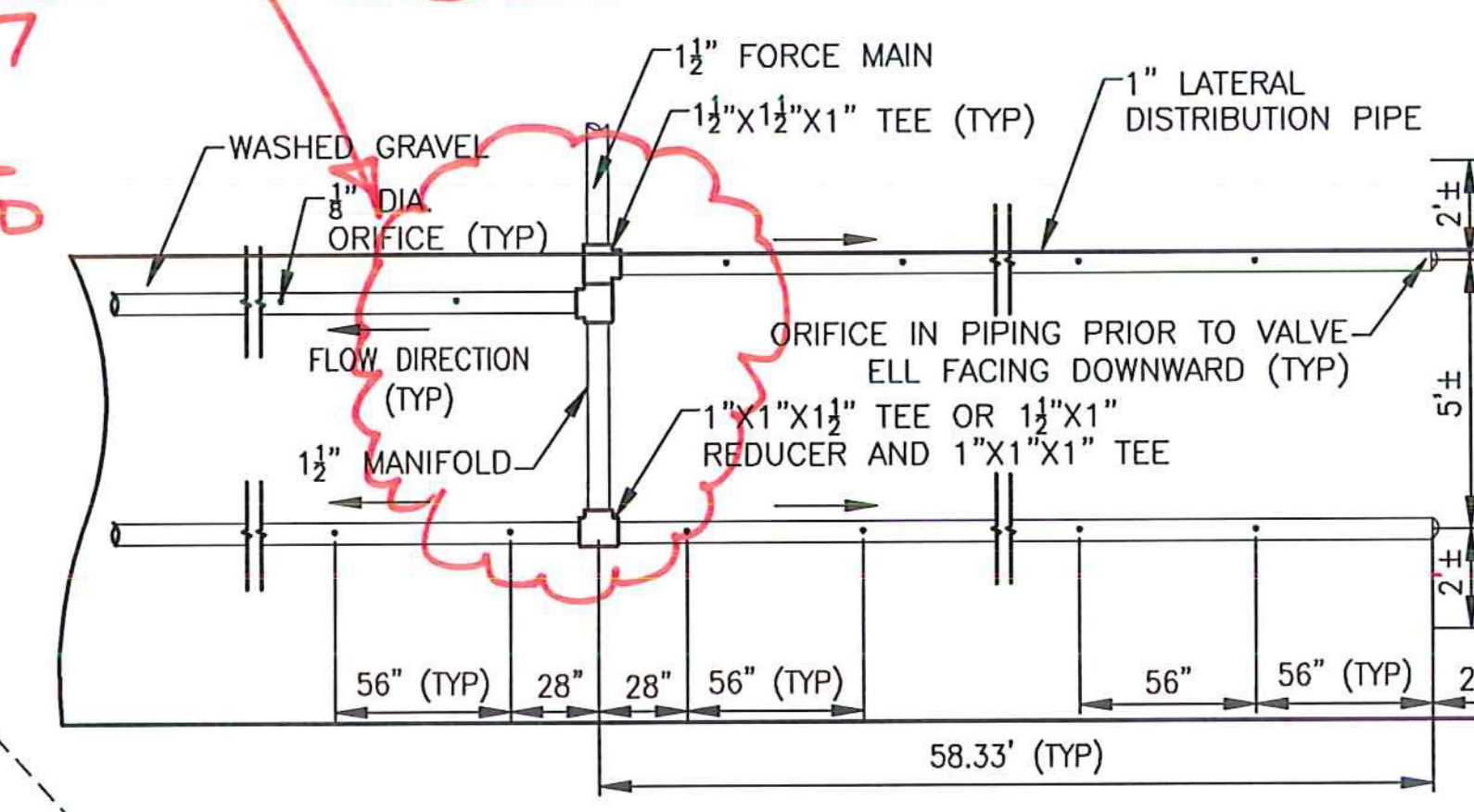
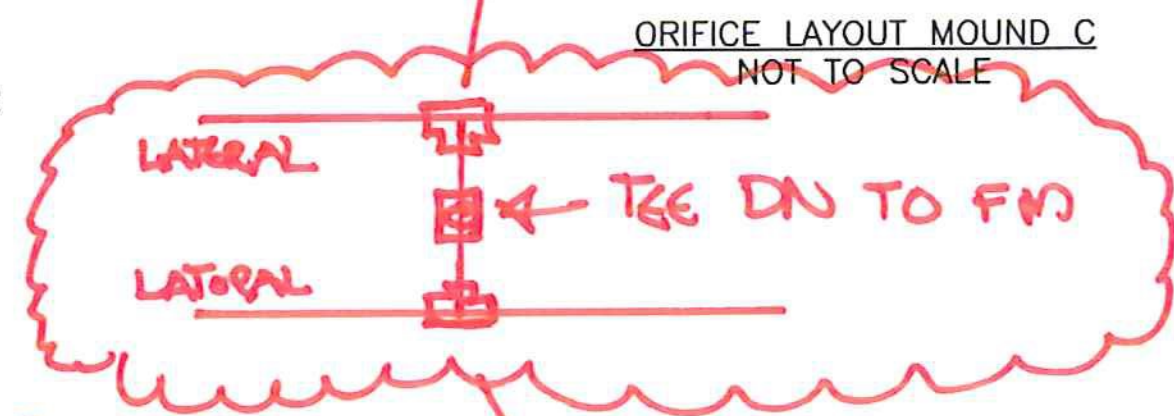
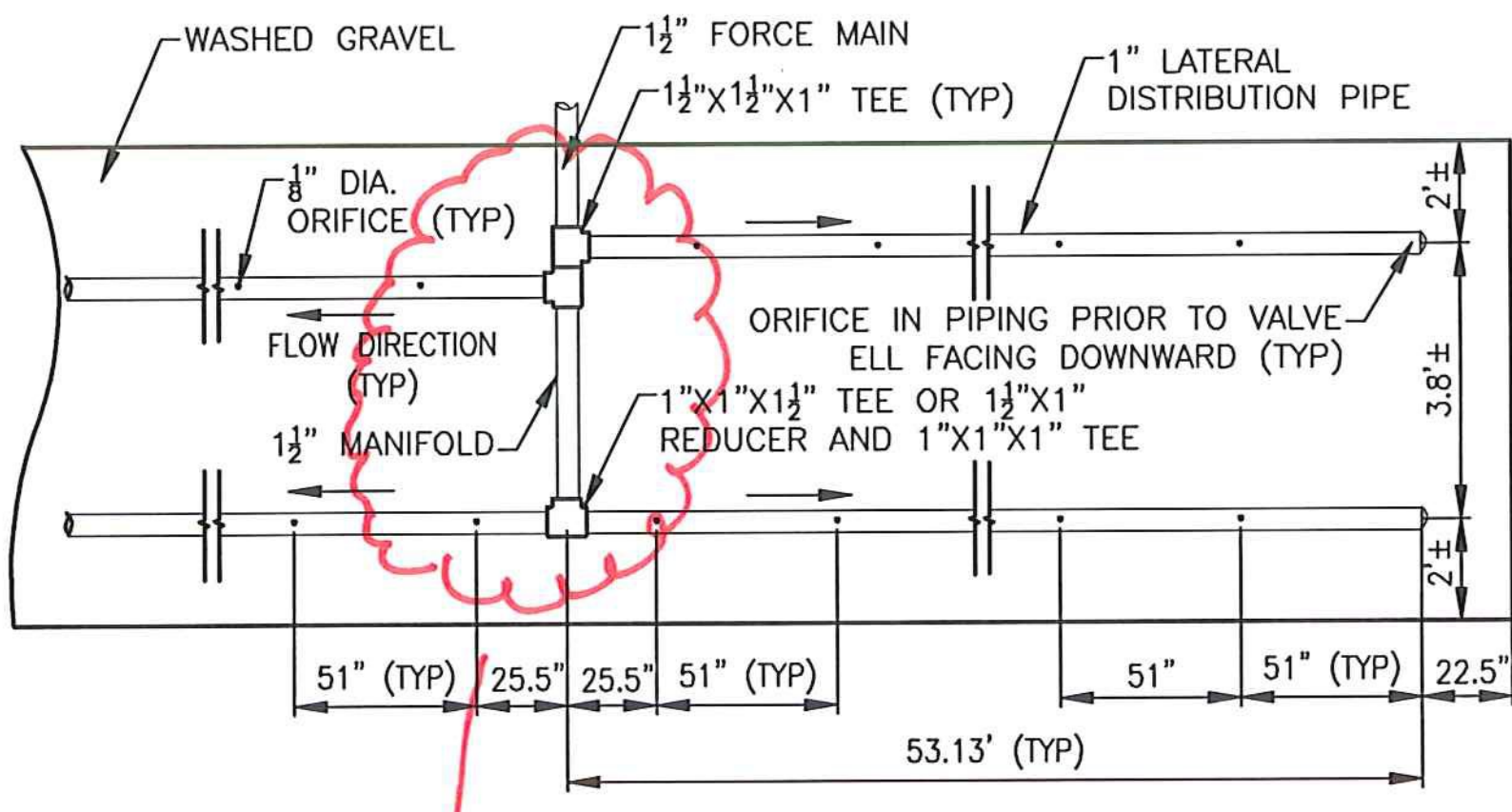
LATERAL PIPING & ORIFICES:
 PROVIDE 1/8" HOLES @ 51" SPACING TO PROVIDE MAX 25SF PER ORIFICE. TOTAL NUMBER OF ORIFICES = 52 (13 PER LATERAL)

MOST ORIFICES TO FACE UPWARD WITH ORIFICE SHIELD. PROVIDE DOWNWARD ORIFICE EVERY 4± ORIFICES TO ALLOW FOR DRAINAGE OF THE SYSTEM.

LAST ORIFICE TO FACE DOWNWARD PRIOR TO FLUSHING VALVE. REFER TO DETAILS ON SHEET SD-05.

NOTE: PROVIDE 2' WIDE X 2" THICK RIGID POLYSTYRENE INSULATION MANIFOLD AND FORCE MAIN WITH LESS THAN 4' OF COVER TO PROTECT AGAINST FREEZING.

PROVIDE A FLUSHING VALVE AT THE END OF EACH LATERAL DISTRIBUTION PIPE. REFER TO THE DETAIL ON SHEET SD-05. (TYP)



ORIFICE LAYOUT MOUND D
 NOT TO SCALE

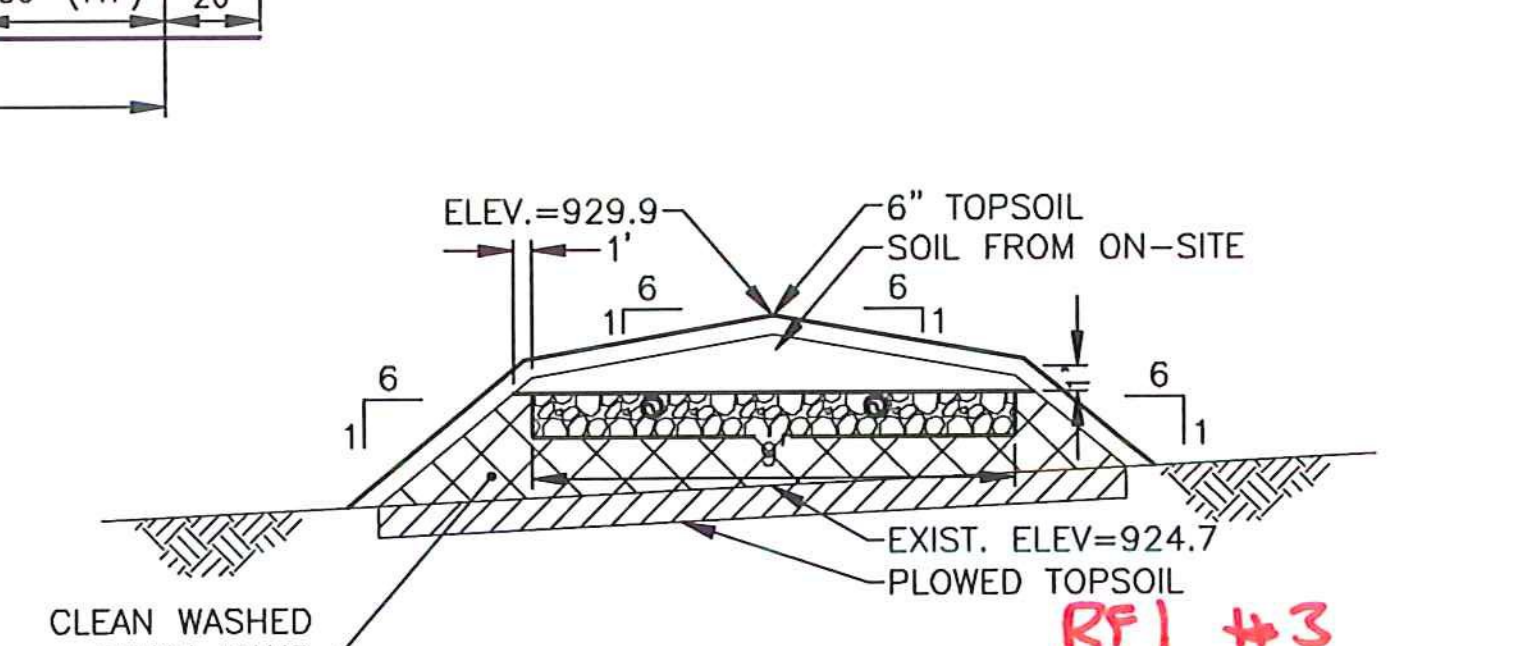
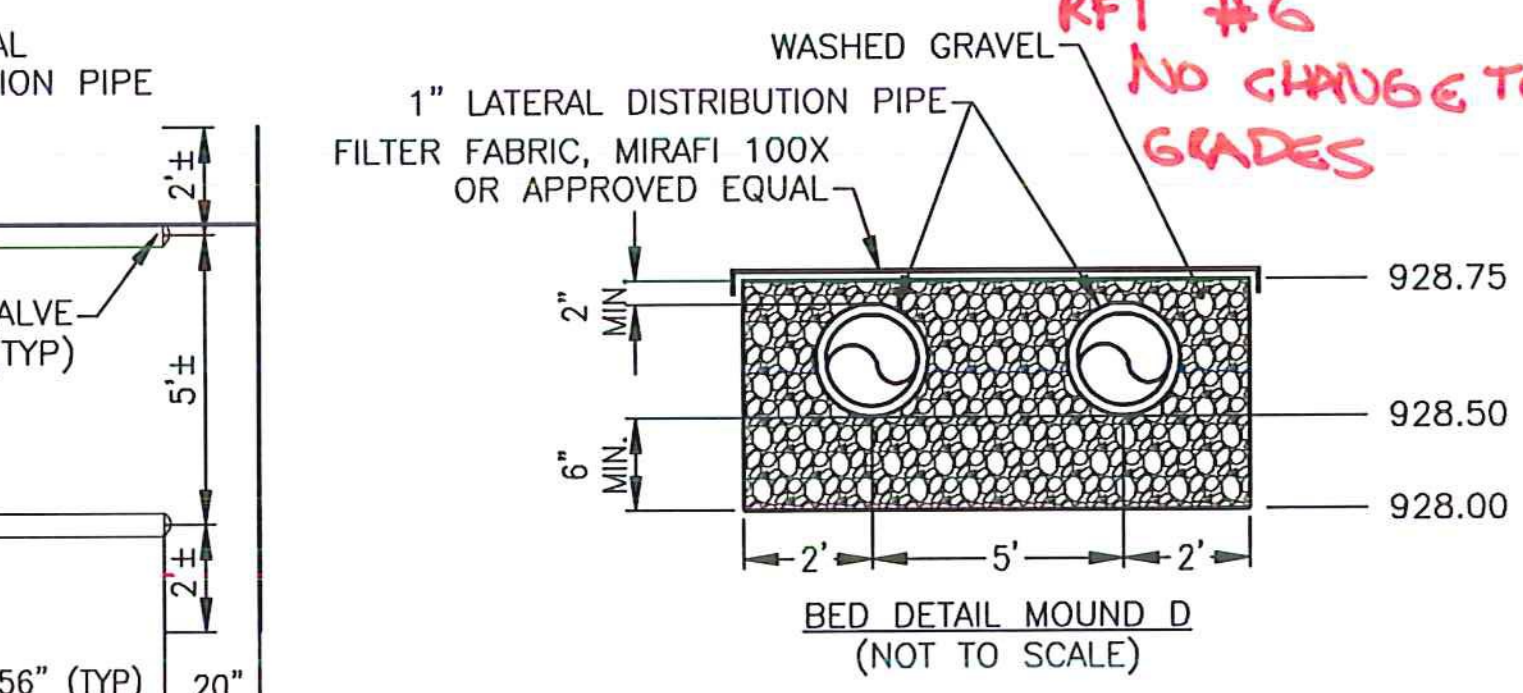
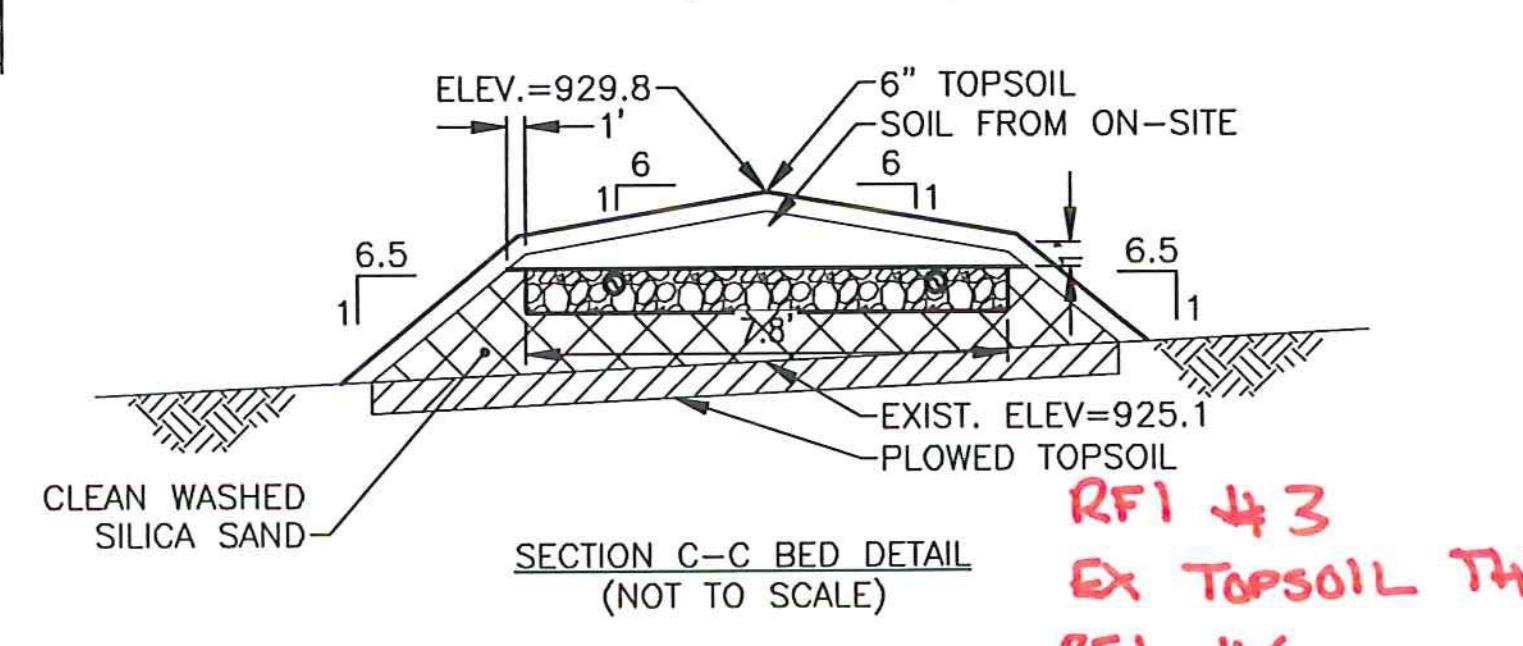
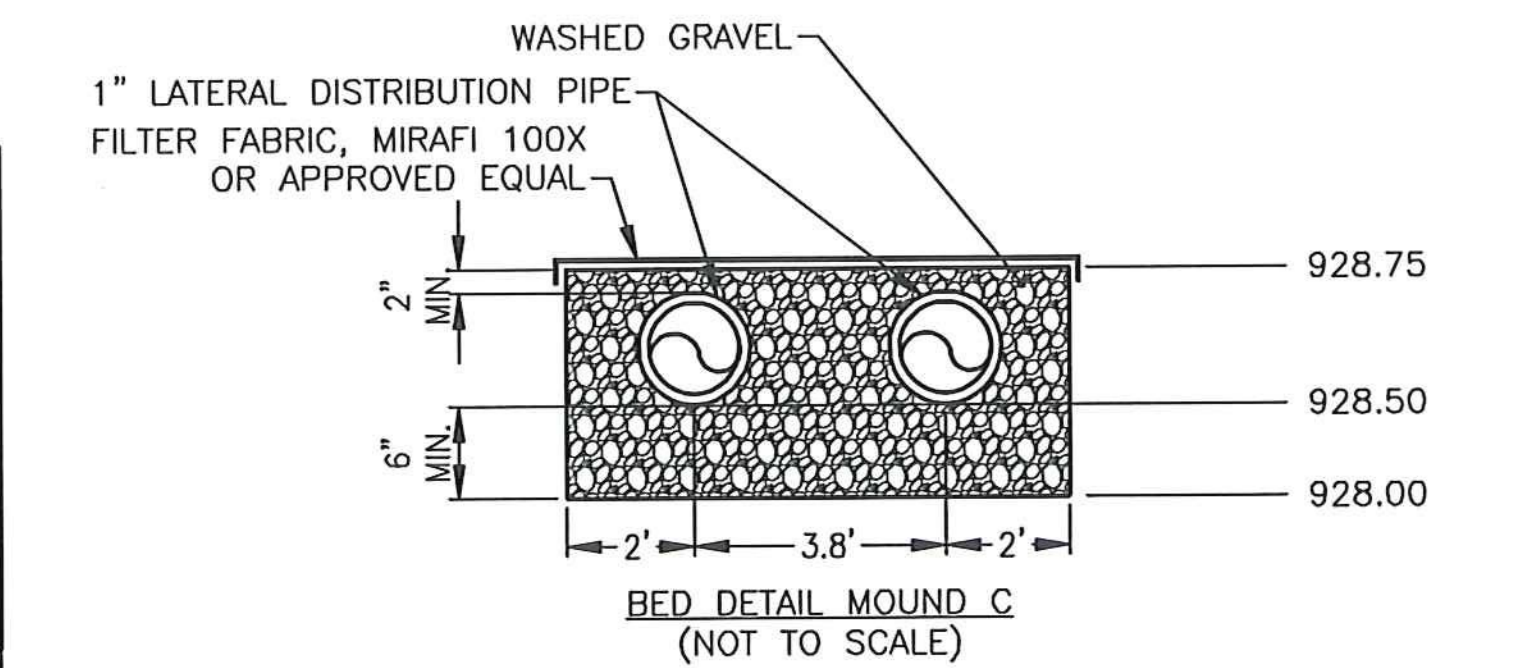
MOUND D:
 Q = 850 GAL/DAY
 MIN. BASAL AREA = 3,542 SF
 APPLICATION RATE = 0.24 GPD/SF
 AREA PROVIDED = 4,591 SF

BED:
 LENGTH = 120'
 WIDTH = 9'
 AREA = 1,080 SF

LATERAL PIPING & ORIFICES:
 PROVIDE 1/8" HOLES @ 56" SPACING TO PROVIDE MAX 25SF PER ORIFICE. TOTAL NUMBER OF ORIFICES = 52 (13 PER LATERAL)

MOST ORIFICES TO FACE UPWARD WITH ORIFICE SHIELD. PROVIDE DOWNWARD ORIFICE EVERY 4± ORIFICES TO ALLOW FOR DRAINAGE OF THE SYSTEM.

LAST ORIFICE TO FACE DOWNWARD PRIOR TO FLUSHING VALVE. REFER TO DETAILS ON SHEET SD-05.

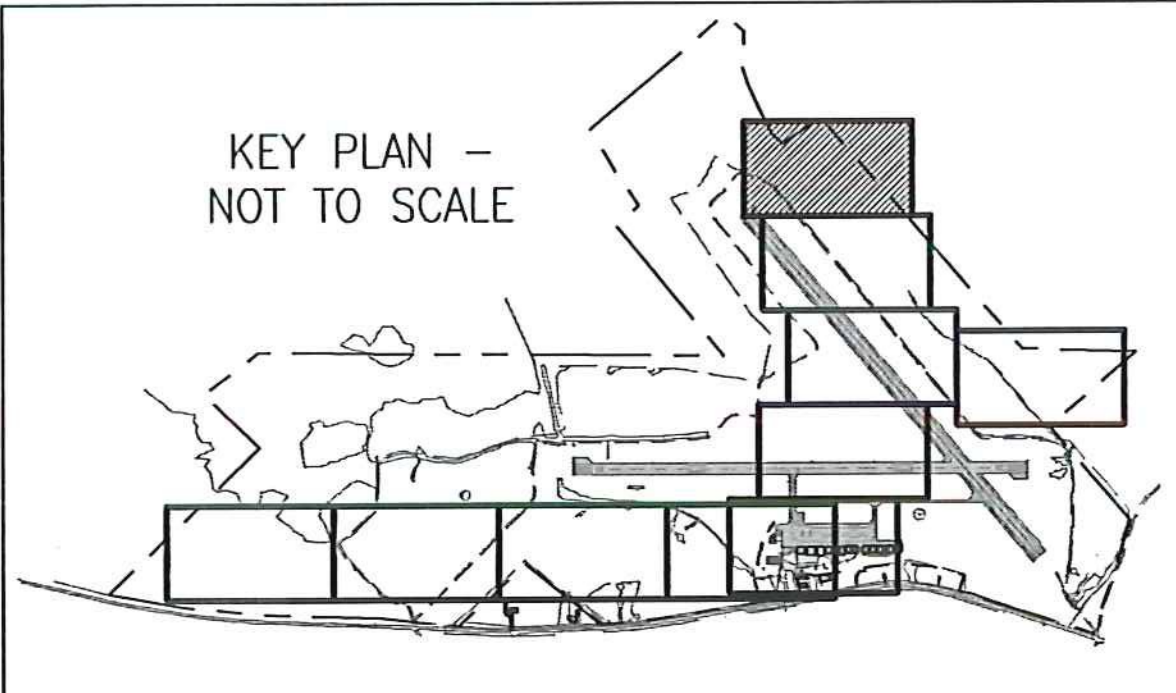


WASHED GRAVEL:
 WASHED GRAVEL SHALL MEET THE REQUIREMENTS OF THE STATE OF VERMONT, AGENCY OF NATURAL RESOURCES, ENVIRONMENTAL PROTECTION RULES, CHAPTER 1, WASTEWATER SYSTEM AND POTABLE WATER SUPPLY RULES DEFINITION OF "CRUSHED STONE"; CLEAN DURABLE STONE 3/4" < DIAMETER < 1-1/2"

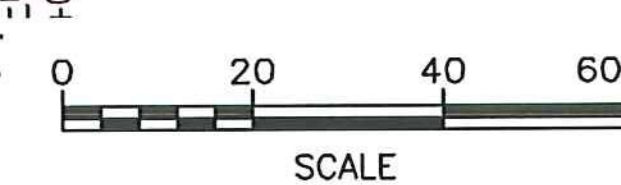
CLEAN WASHED SILICA SAND:
 CLEAN WASHED SILICA SAND SHALL MEET THE REQUIREMENTS OF THE STATE OF VERMONT, AGENCY OF NATURAL RESOURCES, ENVIRONMENTAL PROTECTION RULES, CHAPTER 1, WASTEWATER SYSTEM AND POTABLE WATER SUPPLY RULES, SECTION 1-913(C).

LEGEND:

- TEST PIT EXCAVATION
- FM SANITARY FORCE MAIN
- EXISTING CONTOUR
- PROPOSED CONTOUR
- EFFECTIVE BASAL AREA
- ABSORPTION BED AREA



LOCATION	S.H.W.T.		IMPEDING SOILS (I)	BEDROCK (BR)	GROUND WATER	LIMITING CONDITION		
	MOTTLES	DEPTH (FT)					DEPTH (FT)	DEPTH (FT)
TP-24	YES	1.3	SILTY CLAY LOAM, FIRM MASSIVE	2.2	>4.5	>4.5	1.3	SWHT
TP-25	YES	1.3	SILT LOAM, FIRM MASSIVE	2.0	>7.0	>7.0	1.3	SWHT
TP-304	YES	2.2	DENSE SILT	2.3	>3.5	>3.5	2.2	SWHT
TP-305	YES	1.8	DENSE SILT AND CLAY	1.8	>4.0	>4.0	1.8	I, SWHT
TP-306	YES	1.0	DENSE SILT LOAM	1.2	>4.0	>4.0	1.0	SWHT



SCHEDULE B - WASTEWATER SYSTEM - BID SET
 VTRANS PROJECT #AV157046-301
 JUNE 2016

REV	DATE	DESCRIPTION	BY
6	6/15/15	INSULATION CHANGES	BLS
5	5/3/15	COLD WEATHER MODIFICATIONS	BMB
4	4/29/15	PERMITTING MODIFICATIONS	SKI
3	1/30/15	WW SYSTEM MODIFICATIONS	BMB
2	8/5/14	ANR COMMENTS	TCB
1	4/18/14	ADD 400-SERIES TEST PITS	CH

IT IS A VIOLATION OF LAW FOR ANY PERSON, UNLESS THEY ARE ACTING UNDER THE DIRECT DIRECTION OF A LICENSED PROFESSIONAL ENGINEER, ARCHITECT, LANDSCAPE ARCHITECT, OR LAND SURVEYOR, TO ALTER AN ITEM IN ANY WAY IF AN ITEM BEARING THE STAMP OF A LICENSED PROFESSIONAL IS ALTERED, THE ALTERING ENGINEER, ARCHITECT, LANDSCAPE ARCHITECT, OR LAND SURVEYOR SHALL STAMP THE DOCUMENT AND INCLUDE THE NOTATION "ALTERED BY" FOLLOWED BY THEIR SIGNATURE, THE DATE OF SUCH ALTERATION, AND A SPECIFIC DESCRIPTION OF THE ALTERATION.

NEWPORT STATE AIRPORT
 COVENTRY, VERMONT
 NEWPORT WASTEWATER

SITE 2 - MOUNDS C & D DETAILS

SCALE: 1" = 20'	DESIGN: TCB	MD2-01
DRAWN: TCB	PROJECT: 17958.01	
CHECKED: BLS	DATE: JUNE, 2014	



McFarland Johnson
 53 REGIONAL DRIVE
 CONCORD, NH 03301