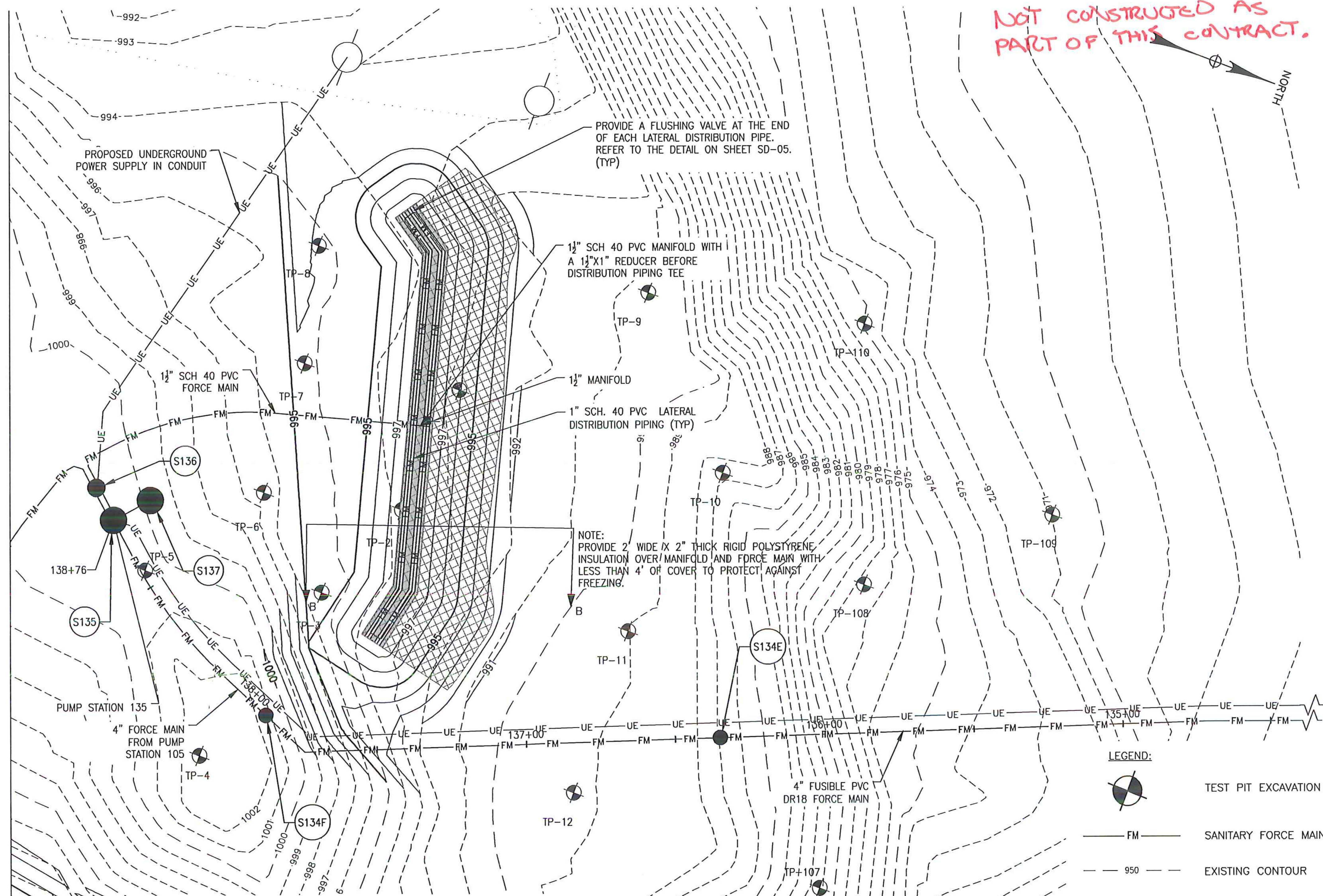


NOT CONSTRUCTED AS PART OF THIS CONTRACT.



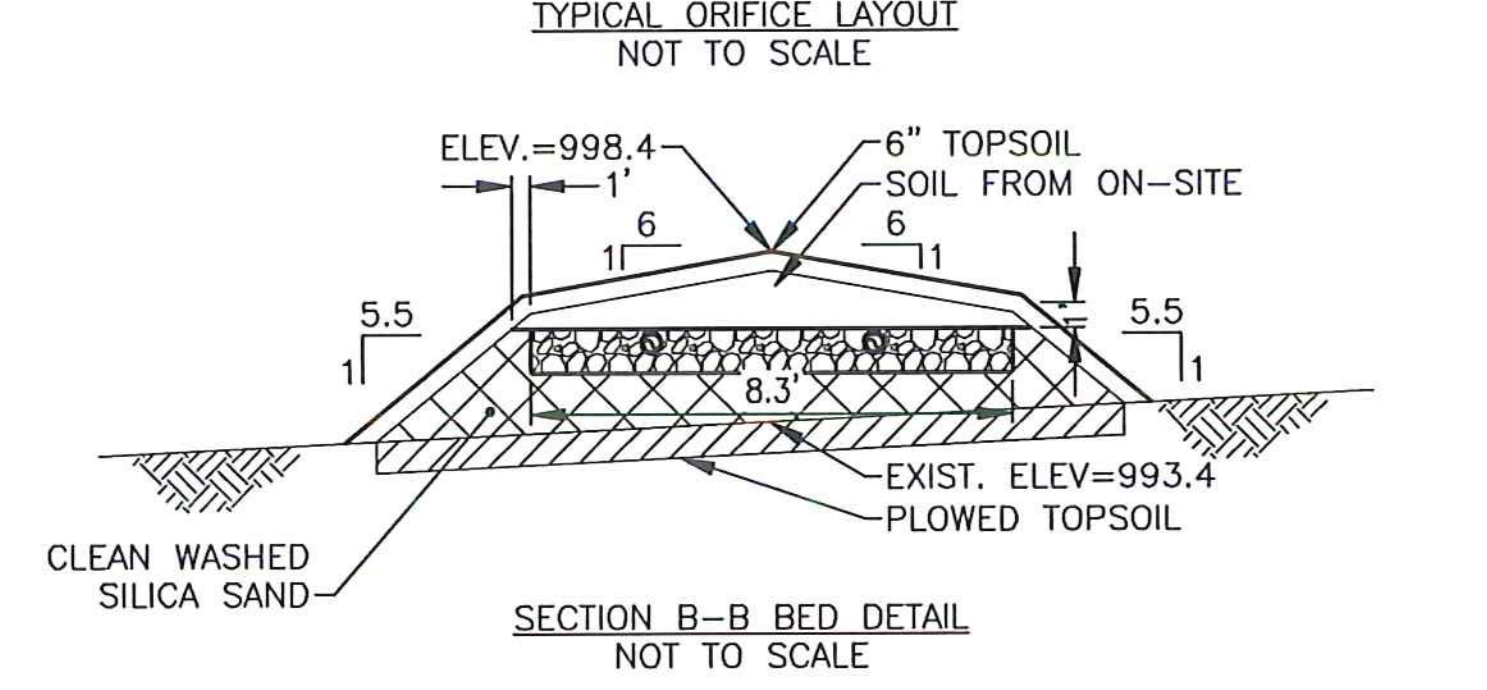
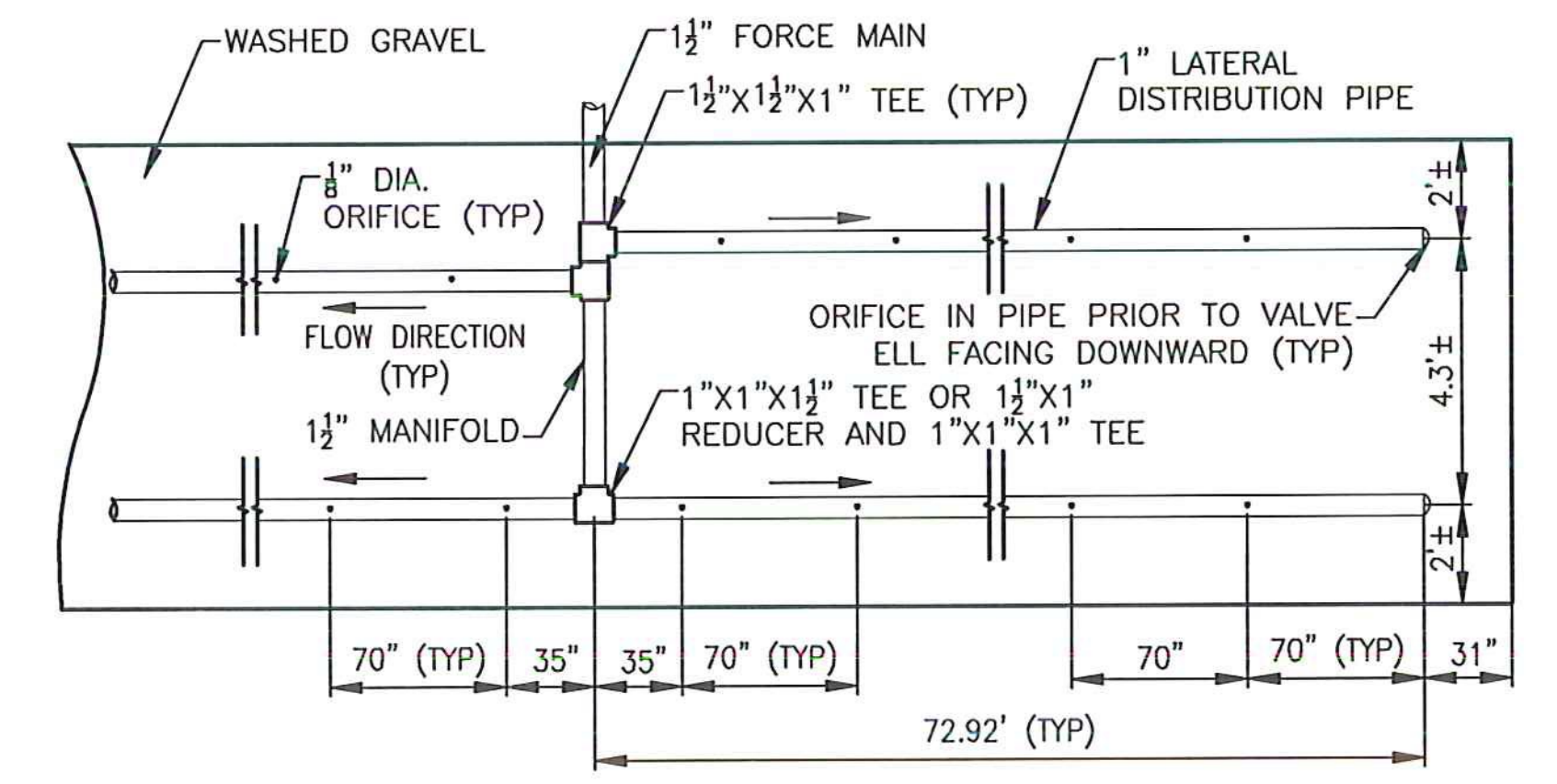
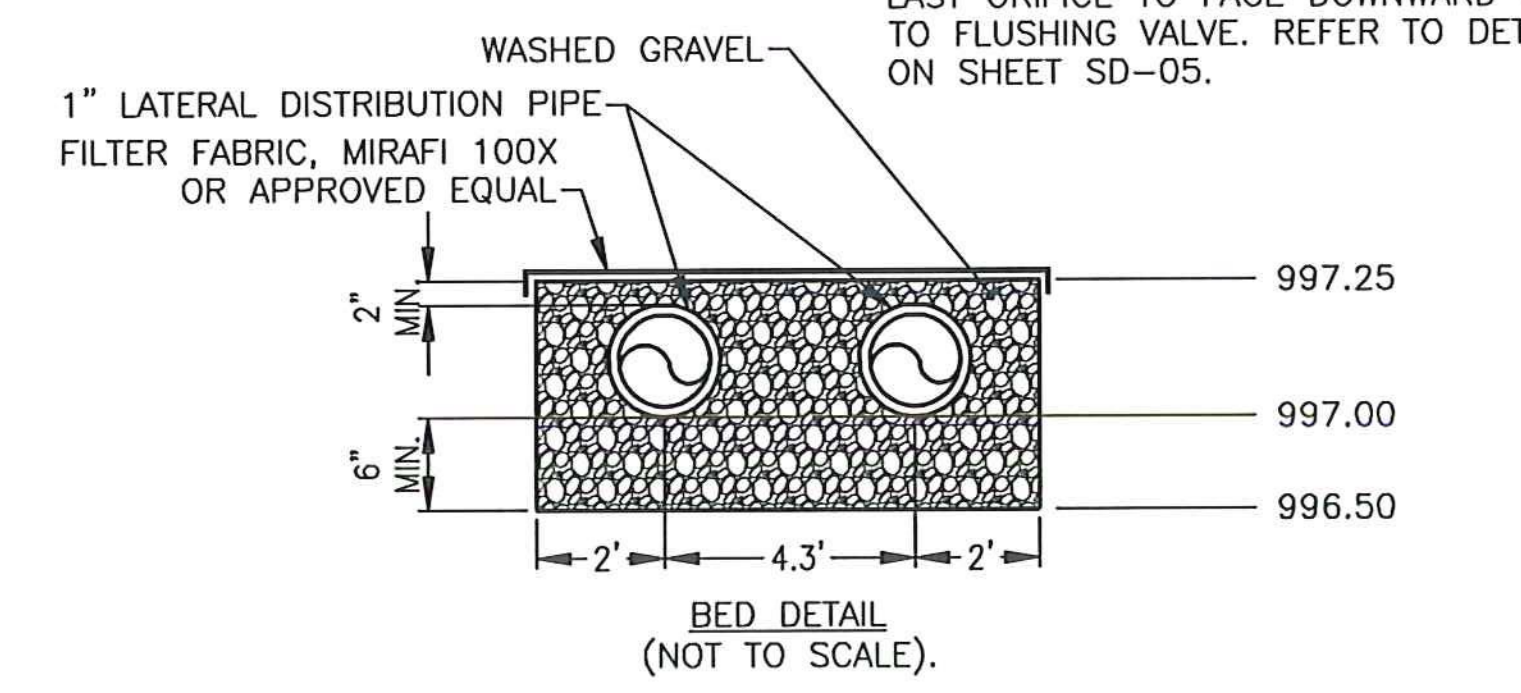
MOUND B:
 Q = 1,210 GAL/DAY
 MIN. BASAL AREA = 5,042 SF
 APPLICATION RATE = 0.24 GPD/SF
 AREA PROVIDED = 5,171 SF

BED:
 LENGTH = 151'
 WIDTH = 8.3'
 AREA = 1,253 SF

LATERAL PIPING & ORIFICES:
 PROVIDE 1/8" HOLES @ 70" SPACING TO PROVIDE MAX 25SF PER ORIFICE.
 TOTAL NUMBER OF ORIFICES = 52 (13 PER LATERAL)

MOST ORIFICES TO FACE UPWARD WITH ORIFICE SHIELD. PROVIDE DOWNWARD ORIFICE EVERY 4± ORIFICES TO ALLOW FOR DRAINAGE OF THE SYSTEM.

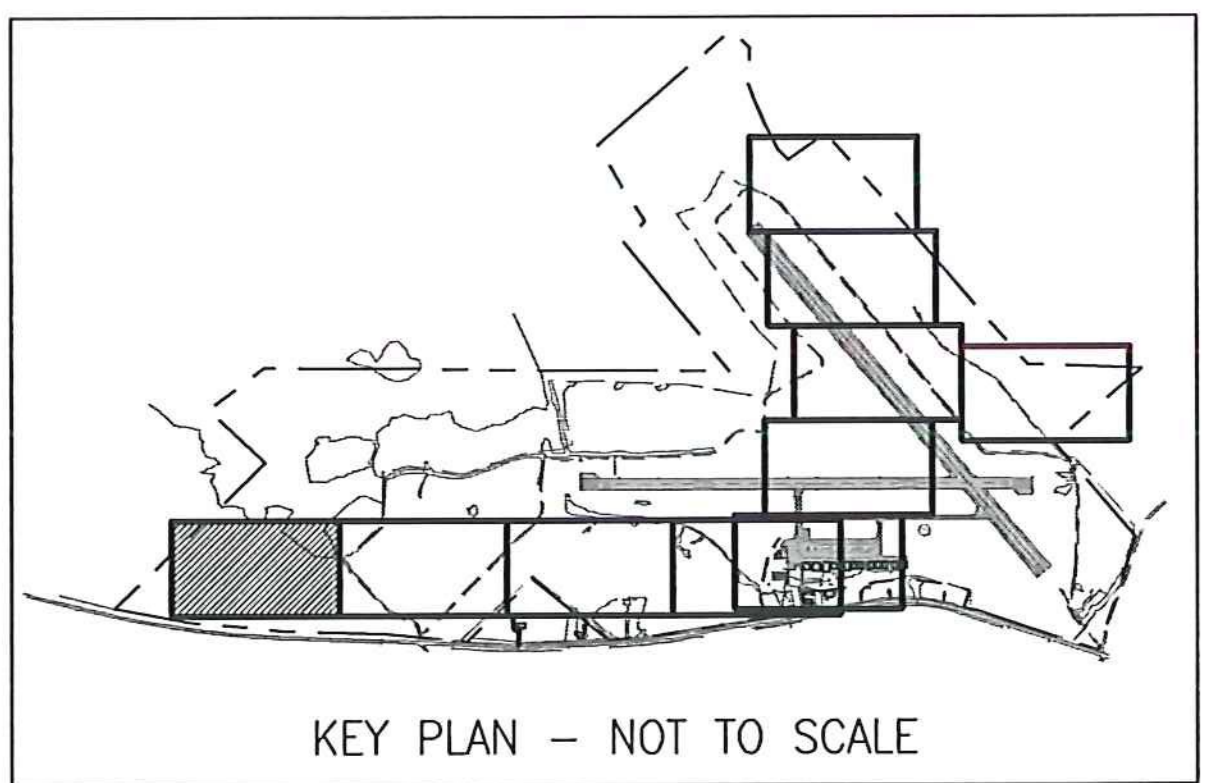
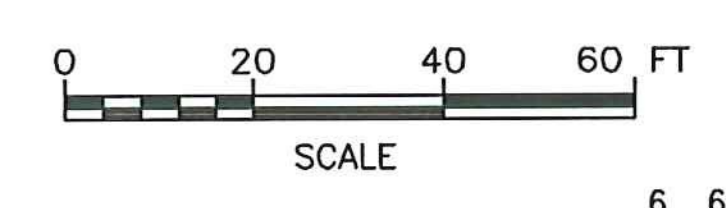
LAST ORIFICE TO FACE DOWNWARD PRIOR TO FLUSHING VALVE. REFER TO DETAILS ON SHEET SD-05.



WASHED GRAVEL:
 WASHED GRAVEL SHALL MEET THE REQUIREMENTS OF THE STATE OF VERMONT, AGENCY OF NATURAL RESOURCES', ENVIRONMENTAL PROTECTION RULES, CHAPTER 1, WASTEWATER SYSTEM AND POTABLE WATER SUPPLY RULES DEFINITION OF "CRUSHED STONE"; CLEAN DURABLE STONE 3/4" < DIAMETER < 1-1/2"

CLEAN WASHED SILICA SAND:
 CLEAN WASHED SILICA SAND SHALL MEET THE REQUIREMENTS OF THE STATE OF VERMONT, AGENCY OF NATURAL RESOURCES', ENVIRONMENTAL PROTECTION RULES, CHAPTER 1, WASTEWATER SYSTEM AND POTABLE WATER SUPPLY RULES, SECTION 1-913(C).

- LEGEND:**
- TEST PIT EXCAVATION
 - SANITARY FORCE MAIN
 - EXISTING CONTOUR
 - PROPOSED CONTOUR
 - EFFECTIVE BASAL AREA
 - ABSORPTION BED AREA



LOCATION	S.H.W.T.		IMPEDING SOILS (I)		BEDROCK (BR)	GROUND WATER	LIMITING CONDITION	
	MOTTLES	DEPTH (FT)	TYPE	DEPTH (FT)			DEPTH (FT)	DEPTH (FT)
TP-1	YES	2.3	SILT LOAM, FIRM MASSIVE	1.3	4.3	>4.3	1.3	I
TP-2	YES	2.5	SILT LOAM, FIRM MASSIVE	1.3	4.2	>4.2	1.3	I
TP-3	YES	2.3	SILT LOAM, FIRM MASSIVE	1.3	4.0	>4.0	1.3	I
TP-4	YES	2.3	SILT LOAM, FIRM MASSIVE	1.3	4.2	>4.2	1.3	I
TP-5	YES		SILT LOAM, FIRM MASSIVE	1.2	3.0	>3.0	1.2	I
TP-6	YES	2.5	SILT LOAM, FIRM MASSIVE	1.5	5.0	>5.0	1.5	I
TP-7	YES	2.7	SILT LOAM, FIRM MASSIVE	1.2	3.5	>3.5	1.2	I
TP-8	YES	2.3	SILT LOAM, FIRM MASSIVE	1.2	3.0	>3.0	1.2	I
TP-9	YES	2.5	FINE SANDY LOAM, FIRM MASSIVE	2.5	4.7	>4.7	2.5	I, SWHT
TP-10	YES	2.3	SILT LOAM, FIRM MASSIVE	1.3	4.0	>4.0	1.3	I
TP-11	NO	>2.0	NONE	>2.0	2.0	>2.0	2.0	BR
TP-12	YES	2.7	FINE SANDY LOAM, FIRM MASSIVE	2.7	6.0	>6.0	2.7	I, SWHT
TP-107	NO	>0.7	NONE	>0.7	0.7	>0.7	0.7	BR
TP-108	YES	1.3	FIRM SILT LOAM	1.5	2.2	>2.2	1.3	SWHT
TP-109	YES	1.8	FIRM SILT LOAM	1.9	>5.5	>5.5	1.8	SWHT
TP-110	NO	>2.0	NONE	>2.0	2.0	>2.0	2.0	BR
TP-111	NO	>0.3	NONE	>0.3	0.3	>0.3	0.3	BR
TP-112	NO	>0.5	NONE	>0.5	0.5	>0.5	0.5	BR

PERMIT PLANS

6	6/15/15	INSULATION CHANGES	BLS
5	5/3/15	COLD WEATHER MODIFICATIONS	BMB
4	4/29/15	PERMITTING MODIFICATIONS	SKI
3	1/30/15	WW SYSTEM MODIFICATIONS	BMB
2	8/5/14	ANR COMMENTS	TCB
1	4/18/14	ADD 400-SERIES TEST PITS	CH
REV	DATE	DESCRIPTION	BY

McFarland Johnson
 53 REGIONAL DRIVE
 CONCORD, NH 03301

IT IS A VIOLATION OF LAW FOR ANY PERSON, UNLESS THEY ARE ACTING UNDER THE DIRECT DIRECTION OF A LICENSED PROFESSIONAL ENGINEER, ARCHITECT, LANDSCAPE ARCHITECT, OR LAND SURVEYOR, TO ALTER AN ITEM IN ANY WAY. IF AN ITEM BEARING THE STAMP OF A LICENSED PROFESSIONAL IS ALTERED, THE ALTERING ENGINEER, ARCHITECT, LANDSCAPE ARCHITECT, OR LAND SURVEYOR SHALL STAMP THE DOCUMENT AND INCLUDE THE NOTATION "ALTERED BY" FOLLOWED BY THEIR SIGNATURE, THE DATE OF SUCH ALTERATION, AND A SPECIFIC DESCRIPTION OF THE ALTERATION.

NEWPORT STATE AIRPORT
 COVENTRY, VERMONT
 NEWPORT WASTEWATER

SITE 1 - MOUND B DETAIL

SCALE: 1" = 20'	DESIGN: TCB	MD1-02
DRAWN: TCB	PROJECT: 17958.01	
CHECKED: BLS	DATE: JUNE, 2014	

16 OF 36

