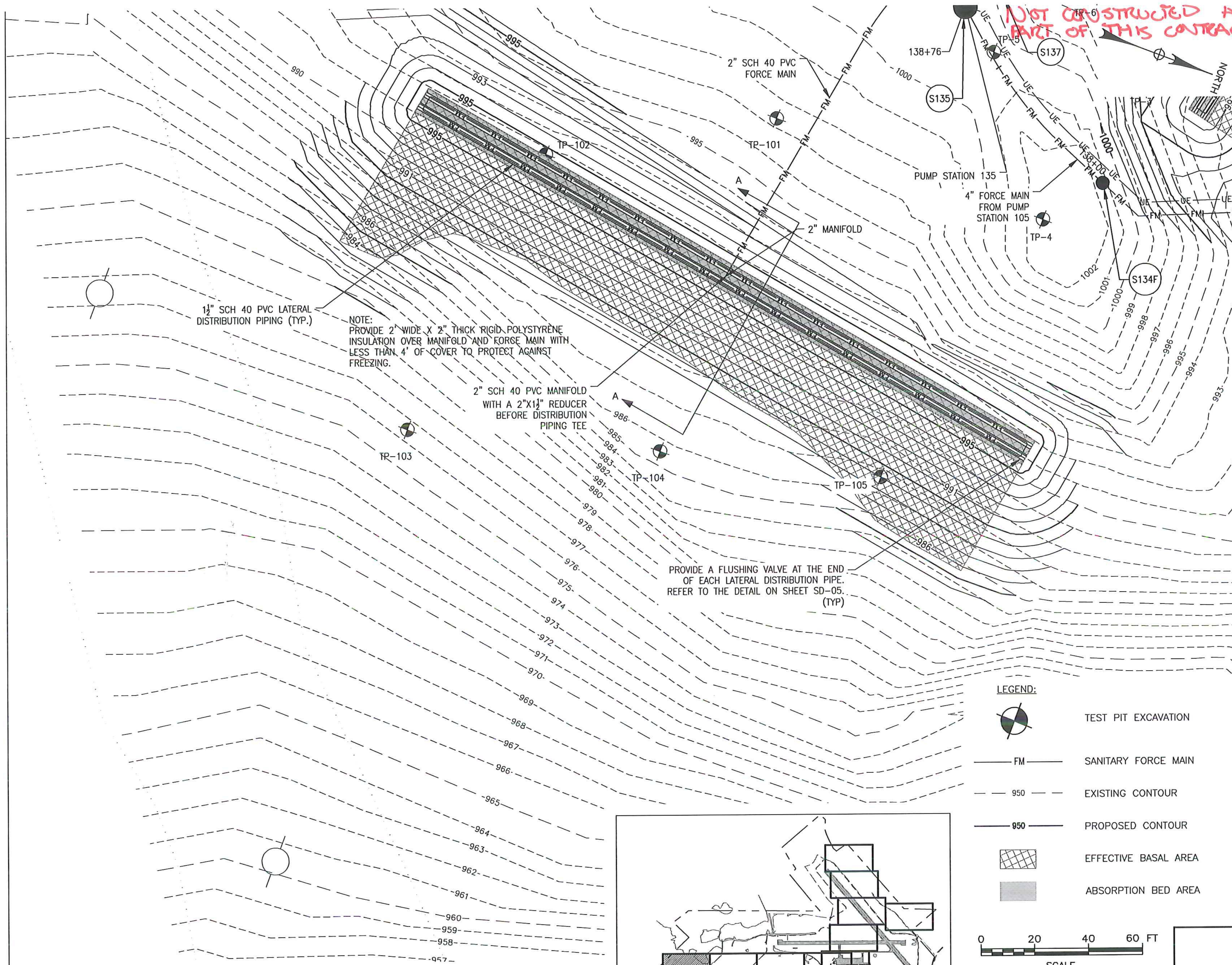


**NOT CONSTRUCTED AS PART OF THIS CONTRACT.**



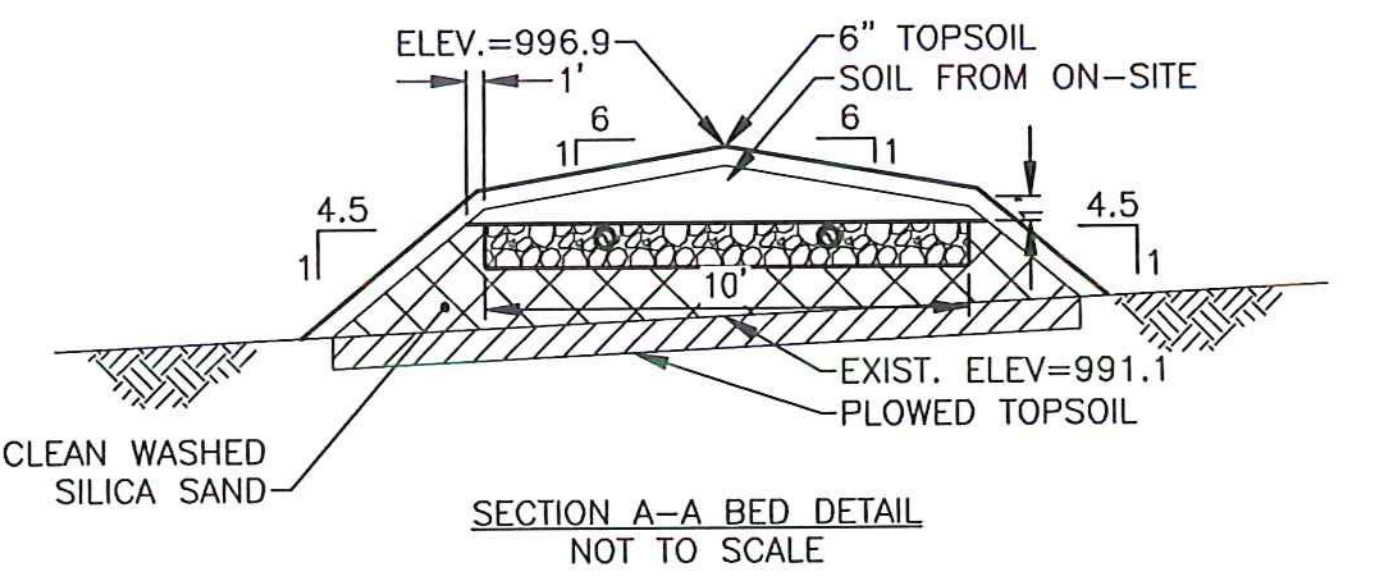
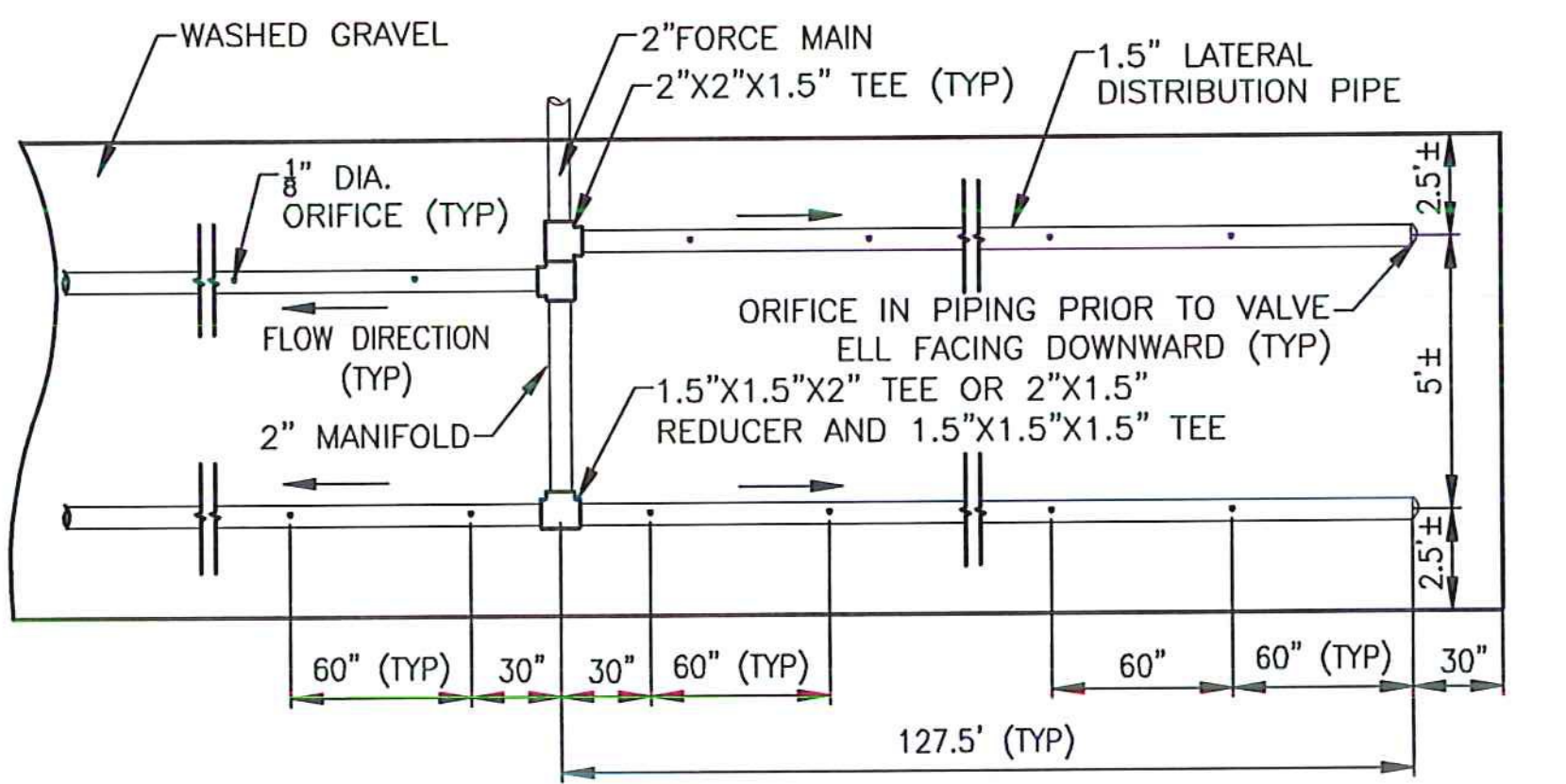
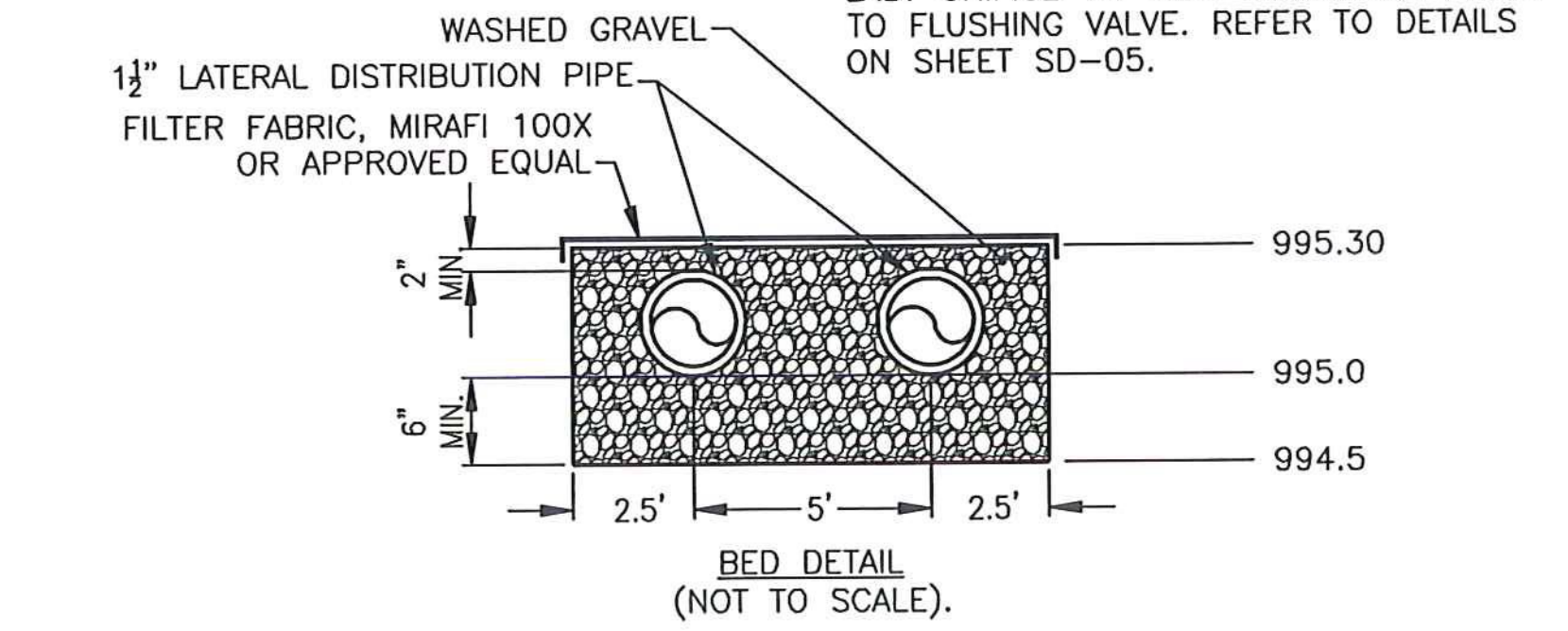
**MOUND A:**  
 Q = 2,600 GAL/DAY  
 MIN. BASAL AREA = 10,833 SF  
 APPLICATION RATE = 0.24 GPD/SF  
 AREA PROVIDED = 11,828 SF

**LATERAL PIPING & ORIFICES:**  
 PROVIDE 1/2" HOLES @ 60" SPACING TO PROVIDE MAX 25SF PER ORIFICE.  
 TOTAL NUMBER OF ORIFICES = 104 (26 PER LATERAL)

**BED:**  
 LENGTH = 260'  
 WIDTH = 10'  
 AREA = 2,600 SF

MOST ORIFICES TO FACE UPWARD WITH ORIFICE SHIELD. PROVIDE DOWNWARD ORIFICE EVERY 4± ORIFICES TO ALLOW FOR DRAINAGE OF THE SYSTEM.

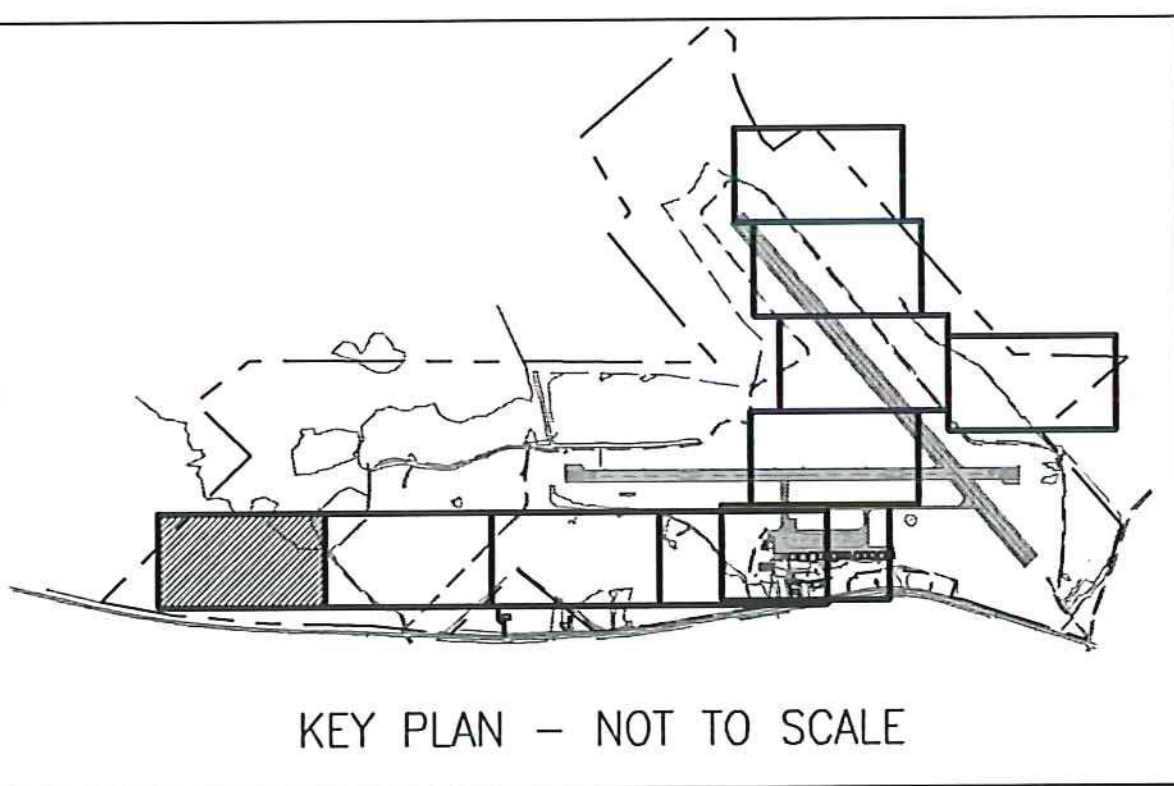
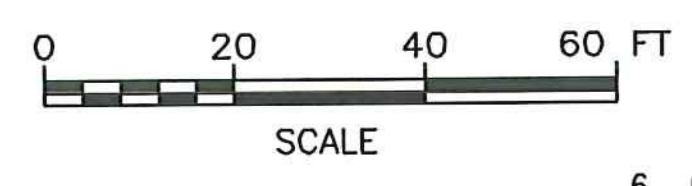
LAST ORIFICE TO FACE DOWNWARD PRIOR TO FLUSHING VALVE. REFER TO DETAILS ON SHEET SD-05.



**WASHED GRAVEL:**  
 WASHED GRAVEL SHALL MEET THE REQUIREMENTS OF THE STATE OF VERMONT, AGENCY OF NATURAL RESOURCES', ENVIRONMENTAL PROTECTION RULES, CHAPTER 1, WASTEWATER SYSTEM AND POTABLE WATER SUPPLY RULES DEFINITION OF "CRUSHED STONE"; CLEAN DURABLE STONE 3/4" < DIAMETER < 1-1/2"

**CLEAN WASHED SILICA SAND:**  
 CLEAN WASHED SILICA SAND SHALL MEET THE REQUIREMENTS OF THE STATE OF VERMONT, AGENCY OF NATURAL RESOURCES', ENVIRONMENTAL PROTECTION RULES, CHAPTER 1, WASTEWATER SYSTEM AND POTABLE WATER SUPPLY RULES, SECTION 1-913(C).

- LEGEND:**
- TEST PIT EXCAVATION
  - FM SANITARY FORCE MAIN
  - 950 EXISTING CONTOUR
  - 950 PROPOSED CONTOUR
  - EFFECTIVE BASAL AREA
  - ABSORPTION BED AREA



LOCATION	S.H.W.T.		IMPEDING SOILS (I)		BEDROCK (BR)	GROUND WATER	LIMITING CONDITION	
	MOTTLES	DEPTH (FT)	TYPE	DEPTH (FT)	DEPTH (FT)	DEPTH (FT)	DEPTH (FT)	TYPE
TP-4		2.3	SILT LOAM, FIRM MASSIVE	1.3	4.2	>4.2	1.3	I
TP-5	YES	2.2	SILT LOAM, FIRM MASSIVE	1.2	3.0	>3.0	1.2	I
TP-101	YES	1.6	BEDROCK	>2.0	2.0	2.0	1.6	SWHT
TP-102	YES	2.2	FIRM SILT LOAM	2.2	2.2	>2.2	2.2	I, SWHT
TP-103	YES	2.4	FIRM SILT LOAM	2.4	>4.5	>4.5	2.4	I, SWHT
TP-104	YES	2.2	FIRM SILT LOAM	2.3	2.9	>2.9	2.2	SWHT
TP-105	NO	>2.2	NONE	2.2	2.2	>2.2	2.2	BR



**PERMIT PLANS**

6	6/15/15	INSULATION CHANGES	BLS
5	5/3/15	COLD WEATHER MODIFICATIONS	BMB
4	4/29/15	PERMITTING MODIFICATIONS	SKI
3	1/30/15	WW SYSTEM MODIFICATIONS	BMB
2	8/5/14	ANR COMMENTS	TCB
1	4/18/14	ADD 400-SERIES TEST PITS	CH
REV	DATE	DESCRIPTION	BY

**McFarland Johnson**  
 53 REGIONAL DRIVE  
 CONCORD, NH 03301

IT IS A VIOLATION OF LAW FOR ANY PERSON, UNLESS THEY ARE ACTING UNDER THE DIRECT DIRECTION OF A LICENSED PROFESSIONAL ENGINEER, ARCHITECT, LANDSCAPE ARCHITECT, OR LAND SURVEYOR, TO ALTER AN ITEM IN ANY WAY. IF AN ITEM BEARING THE STAMP OF A LICENSED PROFESSIONAL IS ALTERED, THE ALTERING ENGINEER, ARCHITECT, LANDSCAPE ARCHITECT, OR LAND SURVEYOR SHALL STAMP THE DOCUMENT AND INCLUDE THE NOTATION "ALTERED BY" FOLLOWED BY THEIR SIGNATURE, THE DATE OF SUCH ALTERATION, AND A SPECIFIC DESCRIPTION OF THE ALTERATION.

NEWPORT STATE AIRPORT  
 COVENTRY, VERMONT  
 NEWPORT WASTEWATER

SITE 1 - MOUND A DETAIL

SCALE: 1" = 20'	DESIGN: TCB	MD1-01 15 of 36
DRAWN: TCB	PROJECT: 17958.01	
CHECKED: BLS	DATE: JUNE, 2014	