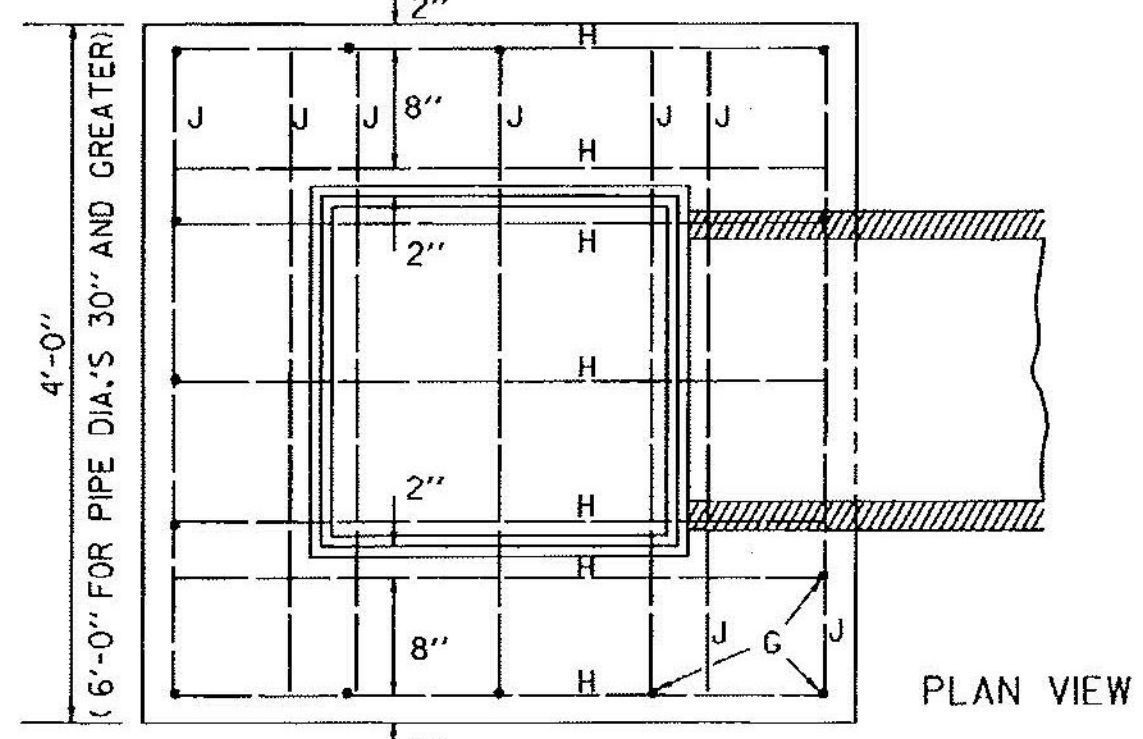
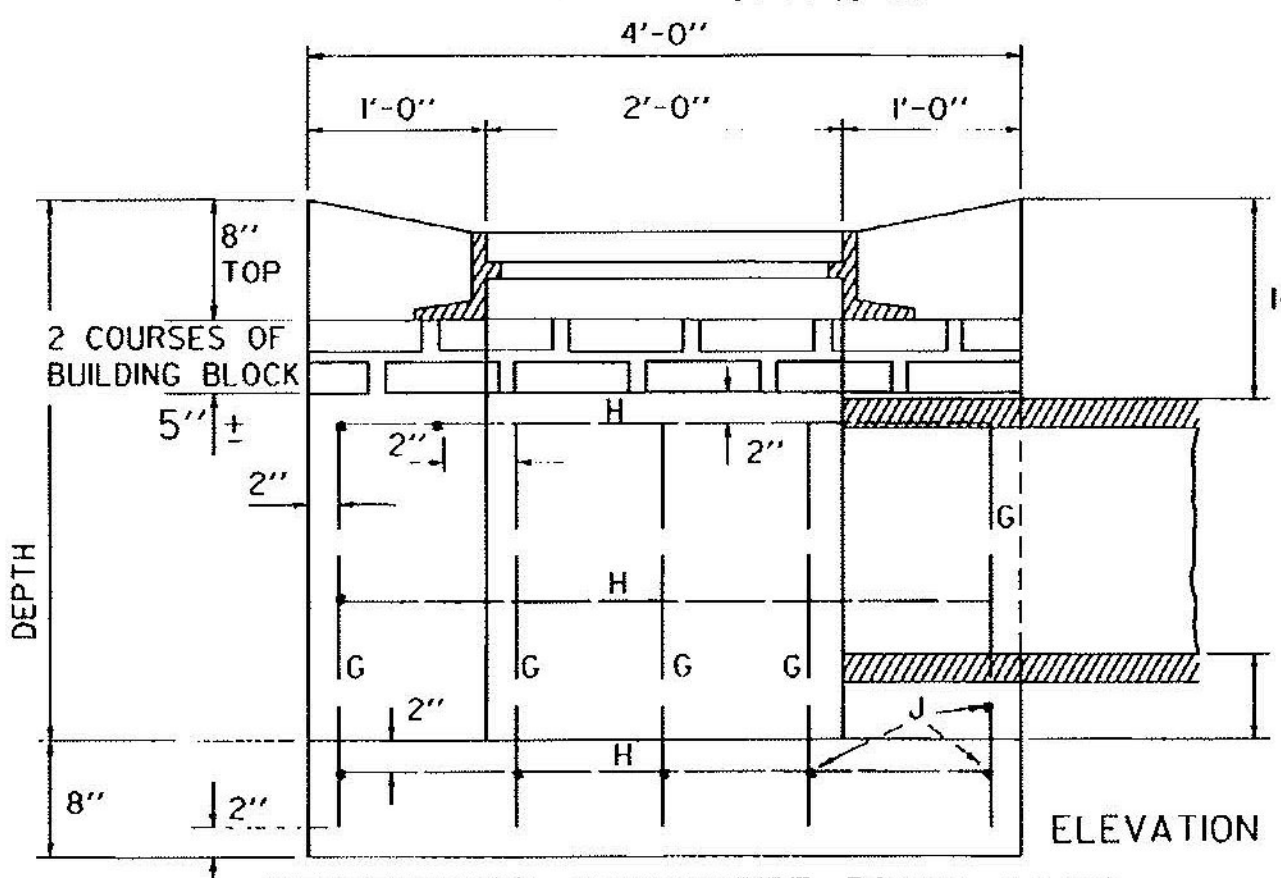


NOTE: FRAME SHOWN IS FOR TYPE A GRATE, SEE SHEET D-11. FOR TYPE B GRATE AND FRAME, SEE SHEET D-16 (EXCEPT THE FRAME DEPTH DIMENSION SHALL BE 6"). TOP FOR REINFORCED CONCRETE DROP INLET WITH GRATE FOR USE IN DITCHES



- TYPE A -



REINFORCED CONCRETE DROP INLET FOR USE IN DITCHES

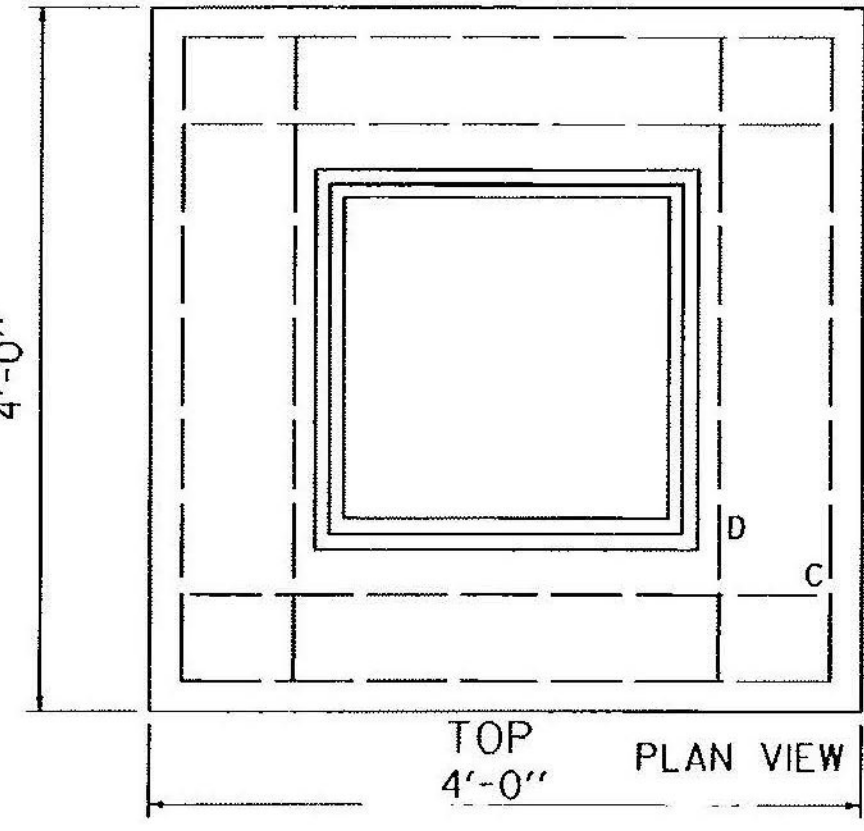
STEEL SCHEDULE																												
4'x4' DROP INLET TYPE A					4'x6' DROP INLET WITH TWO GRATES TYPE B					TYPE C 4'x6' DROP INLET WITH ONE GRATE WITH 4'x6' TOP																		
12", 15", 18", 24"					30", 36"					30", 36"																		
DEPTH	G	LENGTH	H	J	C	D	LENGTH	G	LENGTH	H	J	C	D	LENGTH	DEPTH	G	LENGTH	H	J	C	D	LENGTH	DEPTH					
3'-0"	15	2'-3"	22	3'-8"	8	3'-8"									3'-0"													
3'-6"	15	2'-3"	22	3'-8"	8	3'-8"									3'-6"													
4'-0"	15	3'-3"	29	3'-8"	8	3'-8"	17	3'-3"	19	3'-8"	10	5'-8"	4	3'-8"	4	5'-8"	4	5'-8"	4	5'-8"	6	3'-8"	4	5'-8"	4'-0"			
4'-6"	15	3'-3"	29	3'-8"	8	3'-8"	17	3'-9"	19	3'-8"	10	5'-8"	4	3'-8"	4	5'-8"	4	5'-8"	4	5'-8"	6	3'-8"	4	5'-8"	4'-6"			
5'-0"	15	4'-3"	35	3'-8"	8	3'-8"	17	4'-3"	23	3'-8"	13	5'-8"	4	3'-8"	4	5'-8"	5'-0"	17	4'-8"	23	3'-8"	13	5'-8"	6	3'-8"	4	5'-8"	5'-0"
5'-6"	15	4'-3"	35	3'-8"	8	3'-8"	17	4'-9"	23	3'-8"	13	5'-8"	4	3'-8"	4	5'-8"	5'-6"	17	5'-2"	23	3'-8"	13	5'-8"	6	3'-8"	4	5'-8"	5'-6"
6'-0"	15	5'-3"	41	3'-8"	8	3'-8"	17	5'-3"	27	3'-8"	15	5'-8"	4	3'-8"	4	5'-8"	6'-0"	17	5'-8"	27	3'-8"	15	5'-8"	6	3'-8"	4	5'-8"	6'-0"
6'-6"	15	5'-3"	41	3'-8"	8	3'-8"	17	5'-9"	31	3'-8"	15	5'-8"	4	3'-8"	4	5'-8"	6'-6"	17	6'-2"	31	3'-8"	15	5'-8"	6	3'-8"	4	5'-8"	6'-6"
7'-0"	15	6'-3"	47	3'-8"	8	3'-8"	17	6'-3"	35	3'-8"	17	5'-8"	4	3'-8"	4	5'-8"	7'-0"	17	6'-8"	35	3'-8"	17	5'-8"	6	3'-8"	4	5'-8"	7'-0"
7'-6"	15	6'-9"	47	3'-8"	8	3'-8"	17	6'-9"	35	3'-8"	17	5'-8"	4	3'-8"	4	5'-8"	7'-6"	17	7'-2"	35	3'-8"	17	5'-8"	6	3'-8"	4	5'-8"	7'-6"
8'-0"	15	7'-3"	53	3'-8"	8	3'-8"	17	7'-3"	39	3'-8"	19	5'-8"	4	3'-8"	4	5'-8"	8'-0"	17	7'-8"	39	3'-8"	19	5'-8"	6	3'-8"	4	5'-8"	8'-0"

STEEL AND CONCRETE QUANTITIES															STEEL SCHEDULE TYPE D										
4'x4' DROP INLET					4'x6' DROP INLET WITH TWO GRATES					4'x6' DROP INLET WITH ONE GRATE					4'x6' DROP INLET WITH ONE GRATE WITH 4'x4' TOP										
12"-15"-18"-24" TYPE A					30" TYPE B					36" TYPE C					30", 36" TYPE D										
DEPTH	CONC. C.Y.	STEEL LBS	CONC. C.Y.	STEEL LBS	CONC. C.Y.	STEEL LBS	CONC. C.Y.	STEEL LBS	CONC. C.Y.	STEEL LBS	CONC. C.Y.	STEEL LBS	CONC. C.Y.	STEEL LBS	DEPTH	G	LENGTH	H	J	C	D	LENGTH	DEPTH		
3'-0"	1.7	150													3'-0"										
3'-6"	1.9	158													3'-6"										
4'-0"	2.1	193	2.7	228					2.8	244					4'-0"										
4'-6"	2.3	200	3.0	237	2.9	237			3.1	252	3.0	252			4'-6"										
5'-0"	2.6	231	3.3	279	3.2	279			3.4	294	3.3	294			5'-0"										
5'-6"	2.8	239	3.6	288	3.5	288			3.7	303	3.6	303			5'-6"										
6'-0"	3.0	270	3.9	324	3.8	324			4.0	339	3.9	339			6'-0"										
6'-6"	3.2	278	4.2	348	4.1	348			4.3	363	4.2	363			6'-6"										
7'-0"	3.5	308	4.5	384	4.4	384			4.6	399	4.5	399			7'-0"										
7'-6"	3.7	316	4.8	393	4.7	393			4.9	408	4.8	408			7'-6"										
8'-0"	3.9	347	5.1	429	5.0	429			5.2	444	5.1	444			8'-0"										

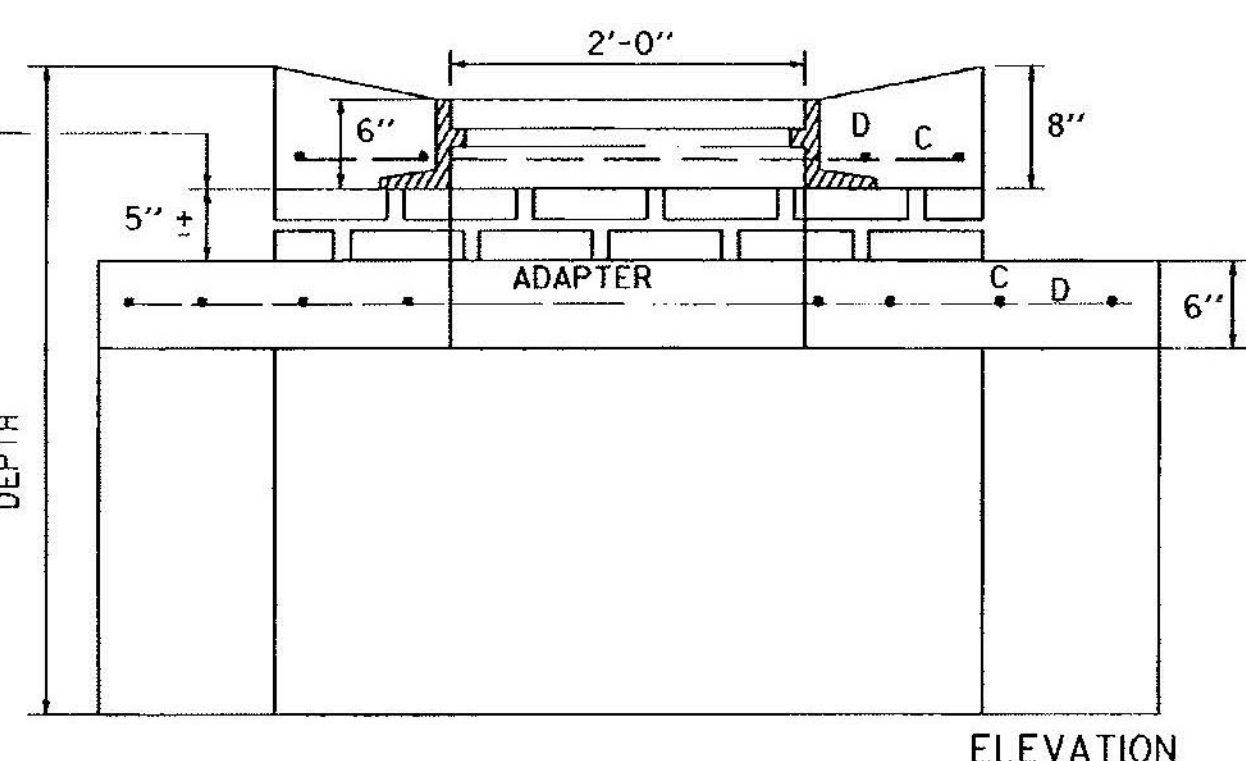
FOR 2nd 30" PIPE DEDUCT 0.18 C.Y. FOR 2nd 42" PIPE DEDUCT 0.36 C.Y., OR 0.18 FOR 1 PIPE
 FOR 2nd 36" PIPE DEDUCT 0.26 C.Y. FOR 2nd 48" PIPE DEDUCT 0.47 C.Y., OR 0.24 FOR 1 PIPE

ALL REINFORCING STEEL TO BE NO. 5 DEFORMED BARS, EVENLY SPACED WITH A MAXIMUM SPACING OF 12" C/C.
 ALL STEEL TO HAVE 2 INCH MIN. COVER.
 DROP INLET TO BE CONSTRUCTED IN ACCORDANCE WITH STRUCTURAL CONCRETE, SECTION 501.
 GRATES TO CONFORM TO DROP INLETS, CATCH BASINS, AND MANHOLES, SECTION 604.
 FURNISHING AND LAYING OF BRICKS FOR ADJUSTING ELEVATION OF GRATE SHALL BE INCLUDED IN UNIT BID PRICE FOR CONCRETE, CLASS B, PAY ITEM 501.25, AND THEIR VOLUME TO BE INCLUDED IN THE FINAL QUANTITIES.
 MORTAR, TYPE II, TO BE USED AS JOINT FILLER AND LAYING OF BRICK.

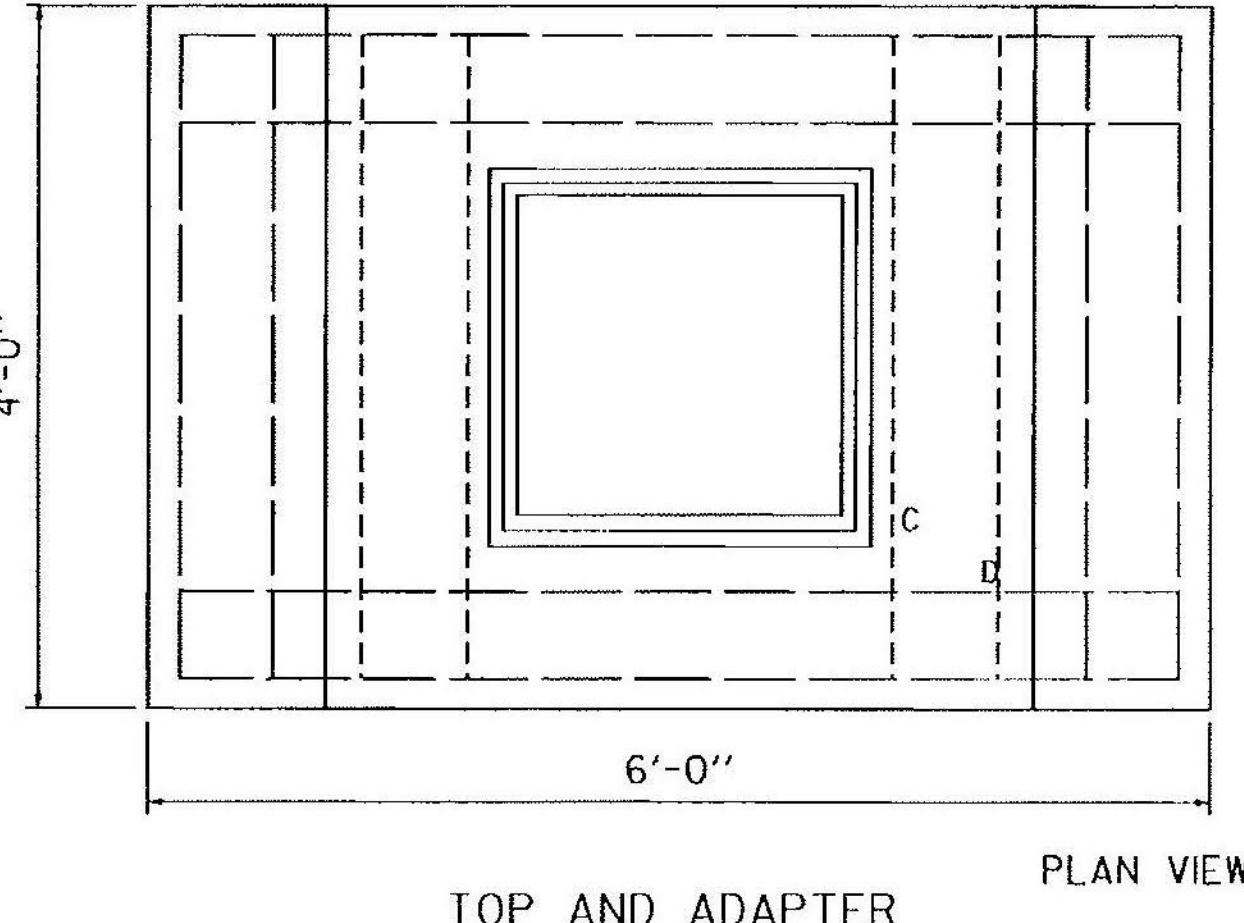
FOR PIPES OF 30" OR MORE IN DIAMETER, ALLOWANCE SHALL BE MADE FOR THE OPENING IN COMPUTING CONCRETE VOLUMES. THIS DEDUCTION WILL BE BASED ON THE RATED DIAMETER OF THE PIPE USED, WITH THE SAME DEDUCTION FOR CONCRETE AND METAL PIPE. ABOVE TABLES INDICATE DEDUCTION FOR ONE PIPE.



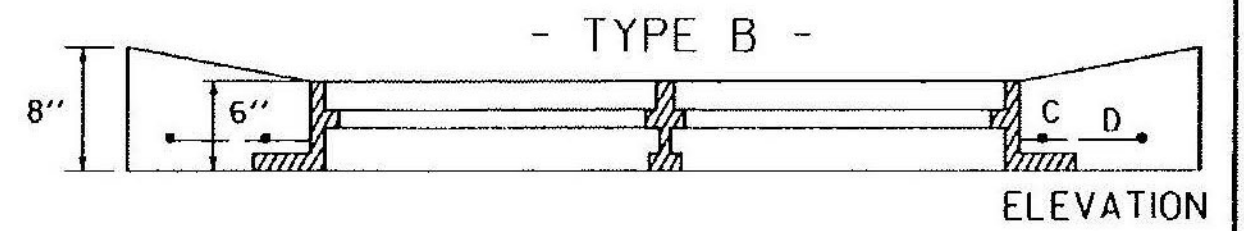
- TYPE D -



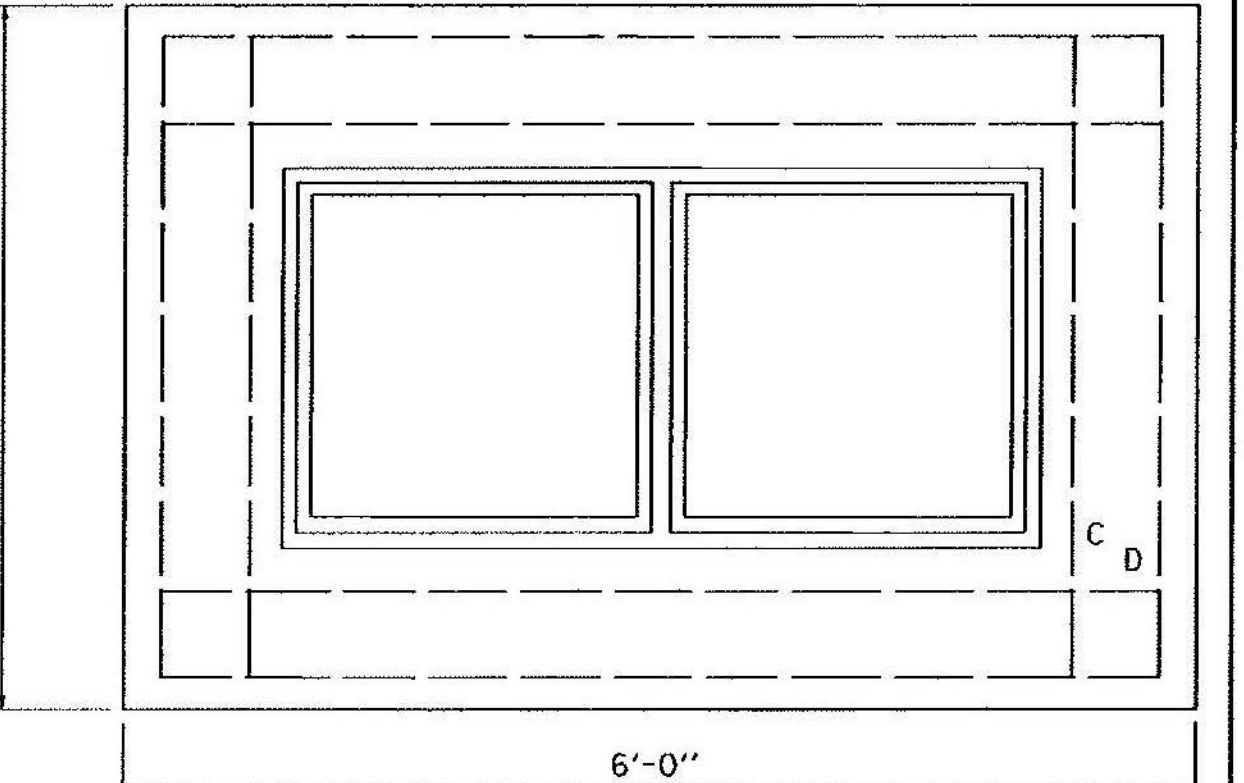
4'x6' DROP INLET WITH 4'x4' TOP TOP WITH ONE CAST IRON GRATE



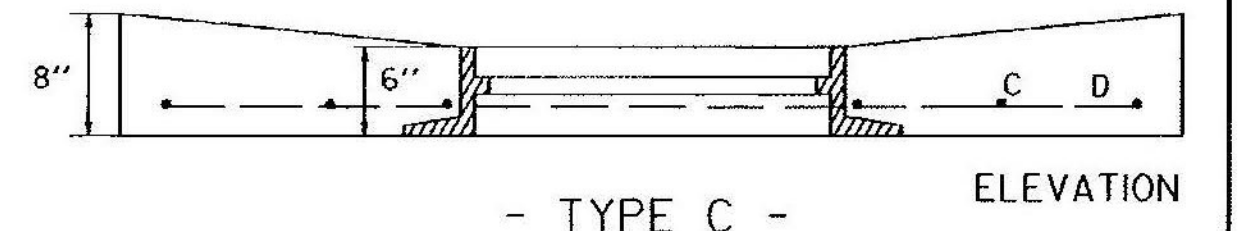
TOP AND ADAPTER PLAN VIEW



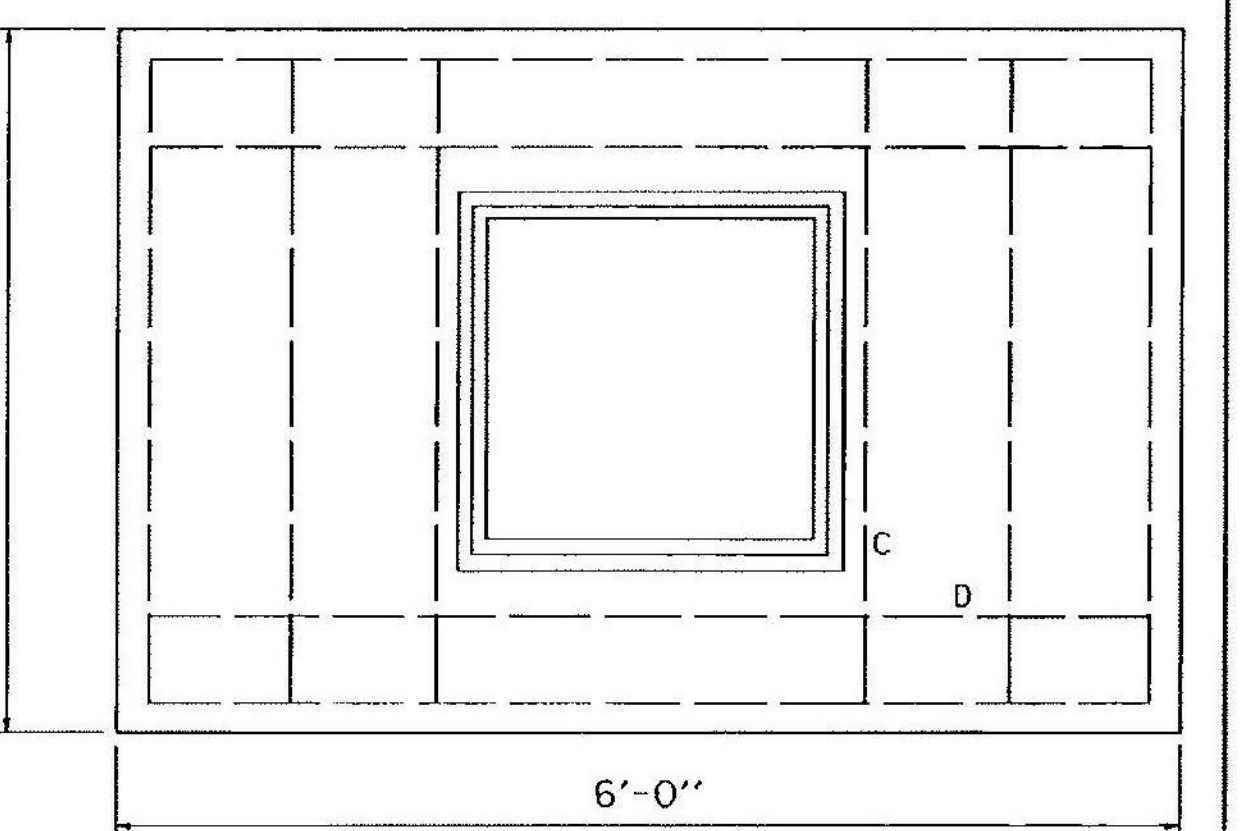
- TYPE B -



4'x6' DROP INLET TOP WITH TWO CAST IRON GRATES



- TYPE C -

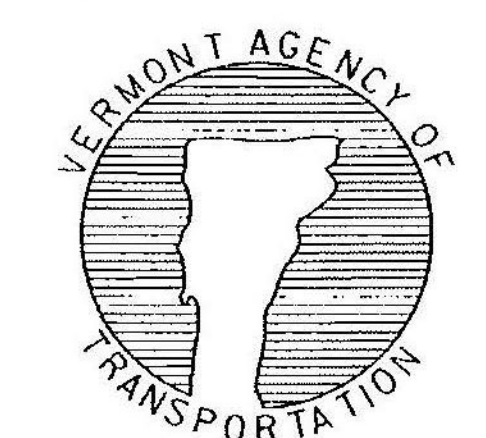


4'x6' DROP INLET TOP WITH ONE CAST IRON GRATE

REVISIONS AND CORRECTIONS
 APR. 4, 1973 - ORIGINAL APPROVAL
 JUNE 1, 1994 - REISSUED, WITHOUT CHANGE, UNDER NEW SIGNATURES.

APPROVED
 APPROVED FOR THIS PROJECT AND/OR DESIGN IMPLEMENTATION, FHWA FINAL APPROVAL PENDING.
 Director of Engineering
 Design Engineer

REINFORCED CONCRETE DROP INLET WITH GRATE FOR USE IN DITCHES



STANDARD D-6