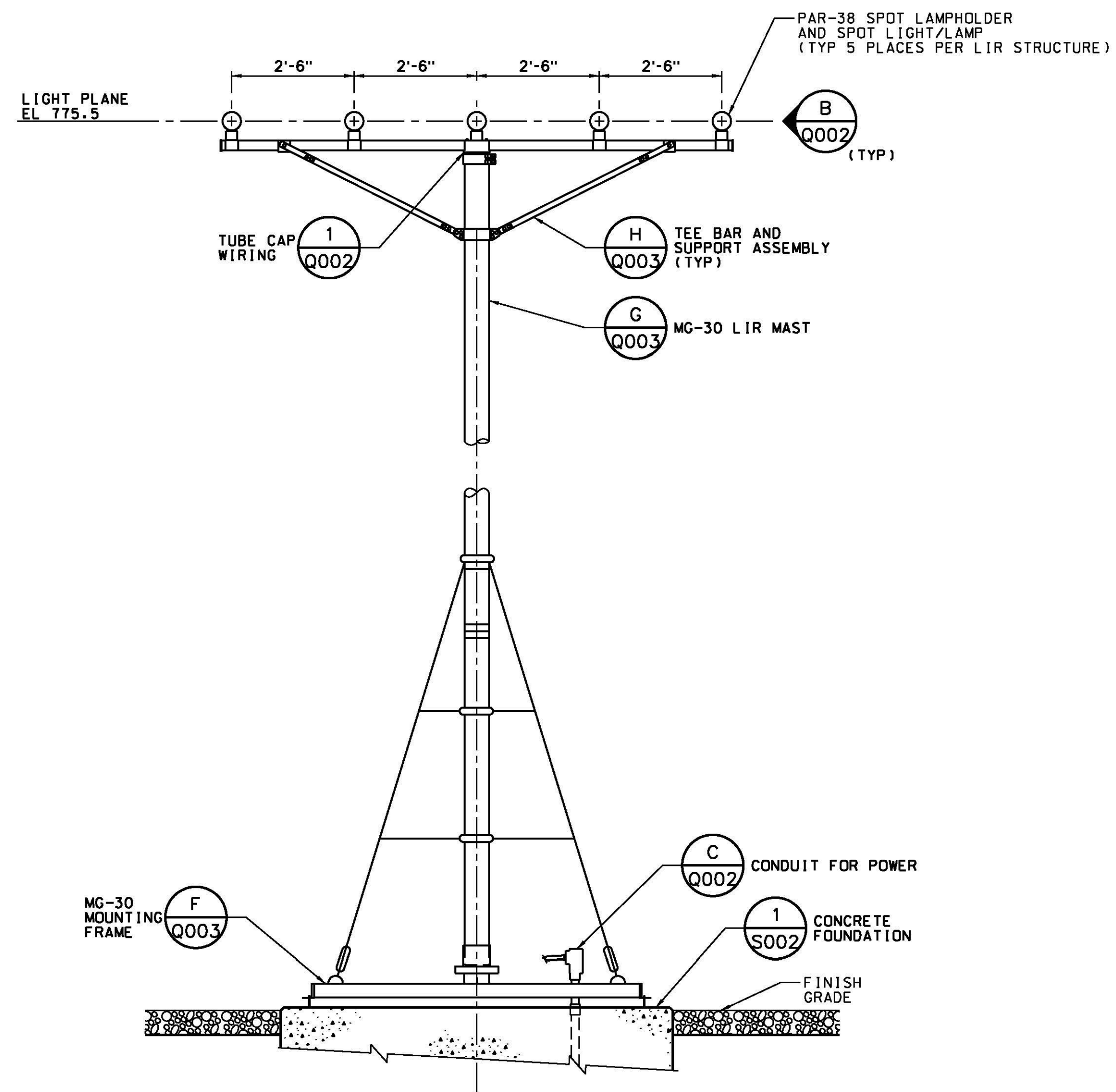
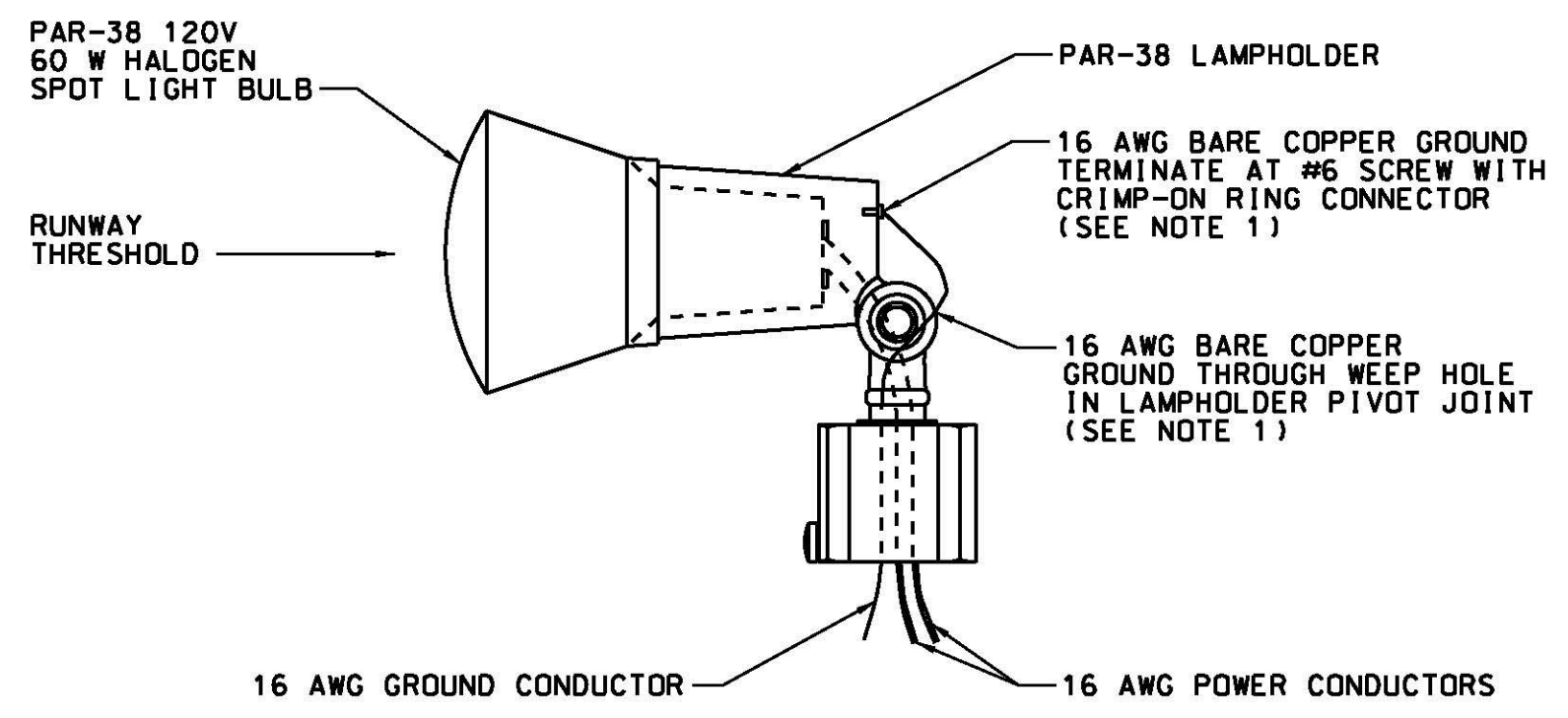


8 7 6 5 4 3 2 1

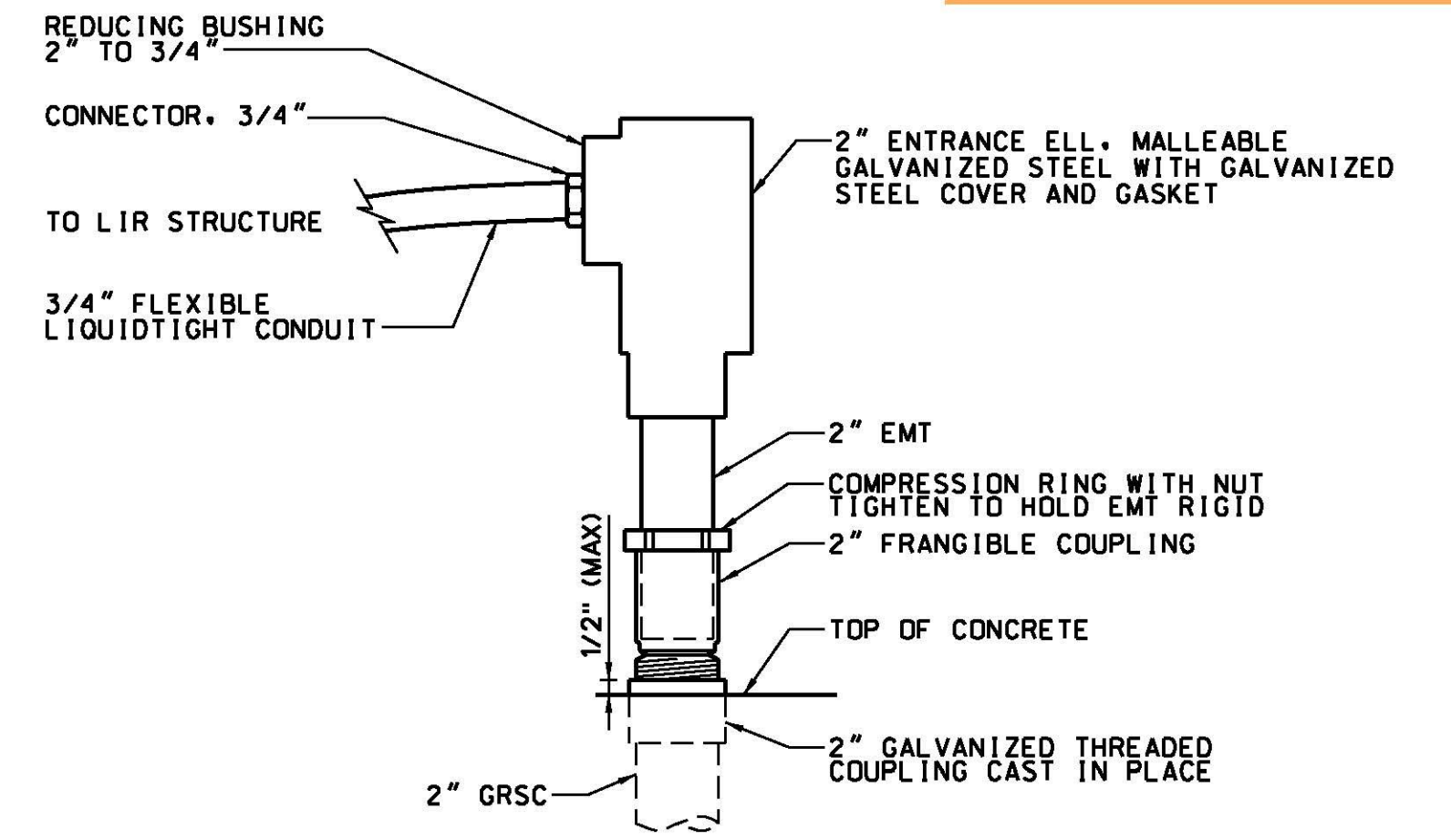
Record Drawings  
Work completed in general conformance with contract plans.



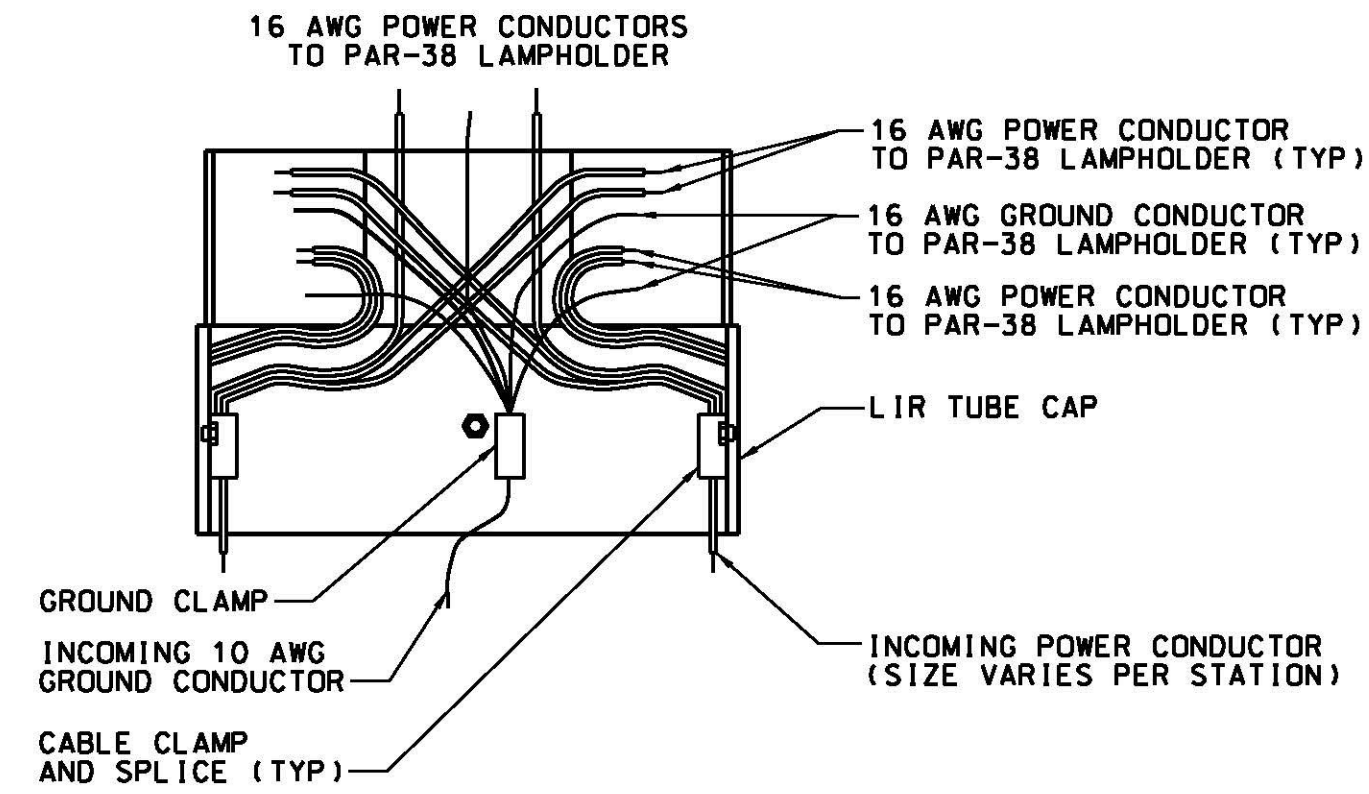
**A** ELEVATION - STATION 5+70 MG-30 LOW IMPACT RESISTANT STRUCTURE  
C001 SCALE: 1/2" = 1'-0"



**B** PAR-38 LIGHT FIXTURE - SIDE ELEVATION  
Q001 NOT TO SCALE  
Q002



**C** GRSC COUPLING TO LIQUIDTIGHT DETAIL  
Q002 NOT TO SCALE



**1** TUBE CAP WIRING - FRONT VIEW - MALS ONLY  
Q001 NOT TO SCALE  
Q002

NOTES:

1. STRIP INSULATION FROM THE 16 AWG GROUND CONDUCTOR AND FEED 16 AWG BARE COPPER THROUGH PAR-38 LIGHT BASE WEEP HOLE TO #6 SCREW. ATTACH THE 16 AWG BARE COPPER CONDUCTOR TO SCREW USING A CRIMP-ON CONNECTOR.
2. SUFFICIENT CABLE LENGTH SHALL BE COILED INSIDE LIR STRUCTURE TO ALLOW FOR RAISING AND LOWERING OF STRUCTURE WITHOUT STRAINING CABLES.
3. ANTI-SEIZE COMPOUND SHALL BE APPLIED TO ALL THREADED CONNECTIONS.

REV	APPROVED DATE	DESCRIPTION	JCN	REDLINE DATE	APVD
	05/20/2013	CONSTRUCTION, WR *12507 (DG)	992395	10/02/2012	

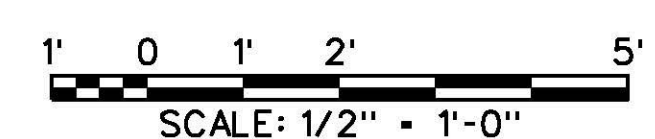
DEPARTMENT OF TRANSPORTATION  
FEDERAL AVIATION ADMINISTRATION  
ATO - TECHNICAL OPERATIONS EASTERN SERVICE AREA

MALSR  
RUNWAY 19  
EQUIPMENT INSTALLATION  
STATION 5+70

RUTLAND RUTLAND - SOUTHERN VERMONT REGIONAL AIRPORT VT

REVIEWED BY: [Signature] SUBMITTED BY: [Signature]  
PROJECT ENGINEER: [Signature] DATE: 05/20/2013  
DESIGNED BY: DLW ISSUED BY: DLW ENGINEERING SERVICES DATE: 05/20/2013  
DRAWN BY: DG CHECKED BY: DLW

DRAWING NO: RUT-NEZ120015-0002  
REV: 992395



8 7 6 5 4 3 2 1

11/14/2013 10:00:13 AM Plotted by: Linda CTR LoPac

ISSUED FOR: CONSTRUCTION